



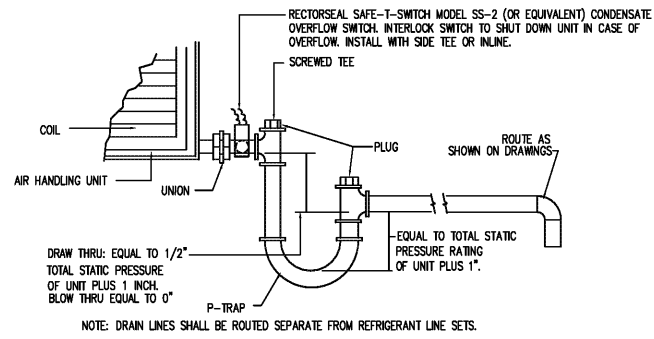
**DUNWODY/BEELEND,**  
architects, inc.

Web: www.dunwodybeeland.com  
 Address: Liberty Street, Suite 604  
 Macon, Georgia 31201  
 T: 478.742.5321  
 F: 478.743.0863

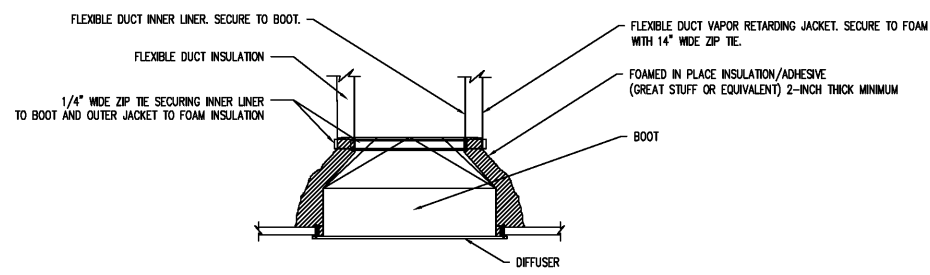
Dunwody/Beeland, Architects, Inc.  
 This drawing may be utilized only for the purpose of constructing or installing the work shown thereon at the site of the work specified. Any other use of this drawing, including without limitation any reproduction or alteration of this drawing, without prior written approval of Dunwody/Beeland, Architects, Inc. is prohibited.

**A NEW RANGER STATION  
 AT CLAYSTONE PARK  
 FOR MACON-BIBB COUNTY**

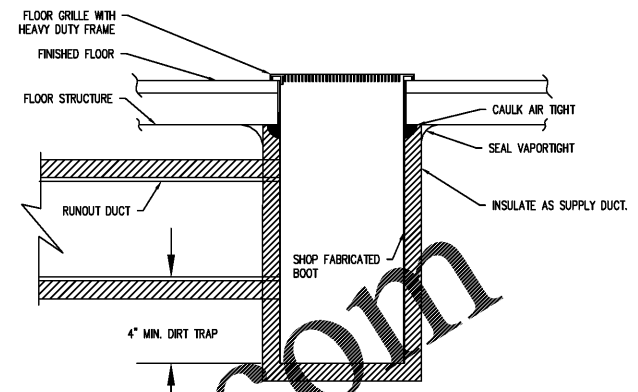
MOSLEY DIXON ROAD MACON, GEORGIA



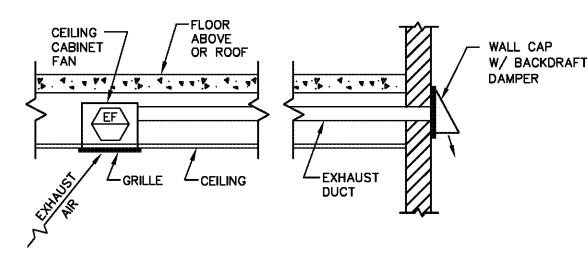
**1** CONDENSATE DRAIN DETAIL  
SCALE: N.T.S.



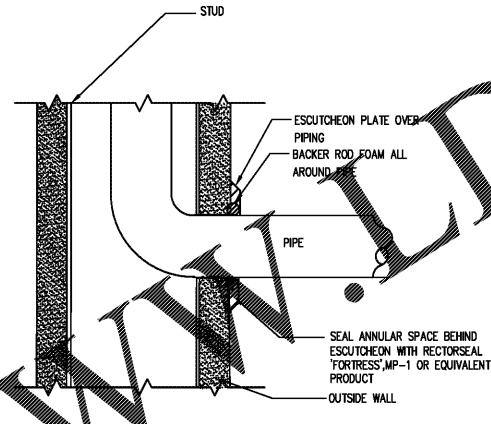
**2** CEILING DIFFUSER FED FROM ATTIC DETAIL  
SCALE: N.T.S.



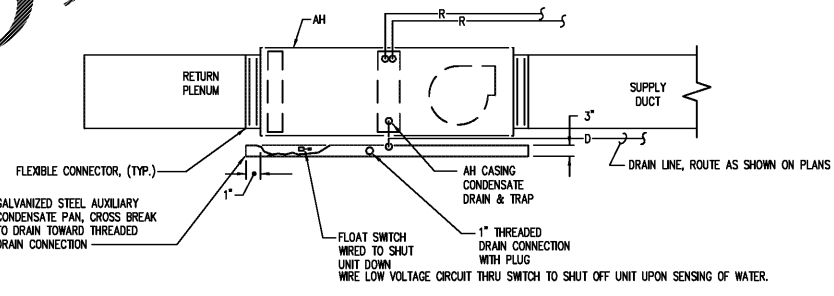
**3** FLOOR GRILLE INSTALLATION DETAIL  
SCALE: N.T.S.



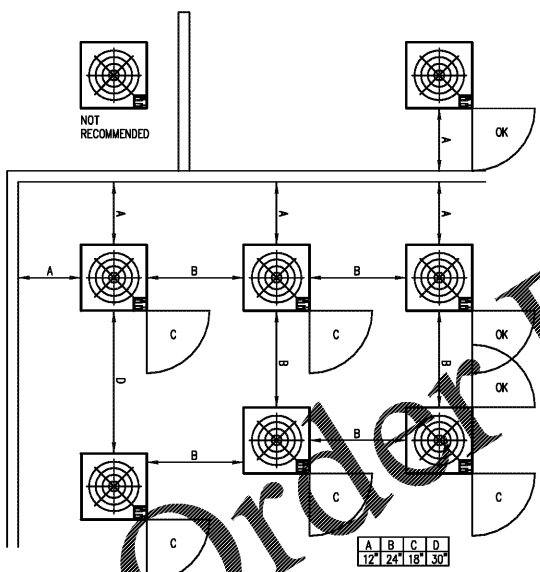
**4** CEILING EXHAUST FAN W/SIDEWALL DISCHARGE-DETAIL  
SCALE: N.T.S.



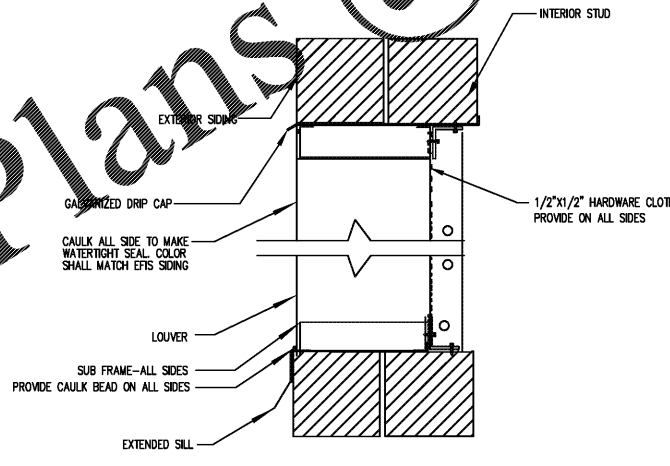
**5** CONDENSATE PIPE SLEEVE THROUGH WALL DETAIL  
SCALE: N.T.S.



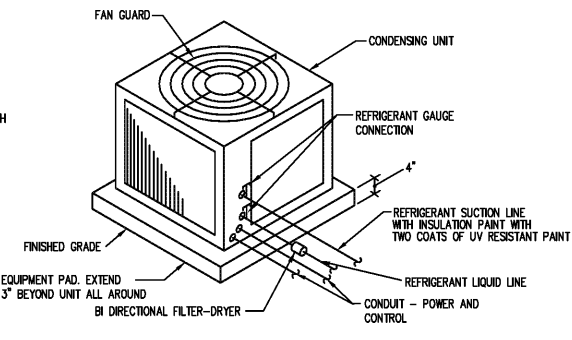
**6** AHU WITH AUXILIARY CONDENSATE PAN  
SCALE: N.T.S.



**7** CONDENSER SPACING DETAIL  
SCALE: N.T.S.

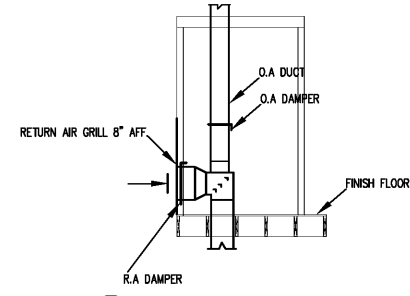


**8** LOUVER IN EFIS WALL DETAIL  
SCALE: N.T.S.



NOTE: 1) THIS DETAIL IS FOR HEAT PUMP UNIT 5 TONS AND UNDER  
 2) PROVIDE 4\"/>

**9** AIRCOOLED CONDENSING UNIT SLAB MOUNTED  
SCALE: N.T.S.



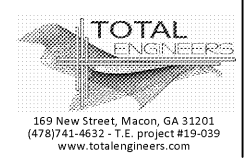
**10** SECTION @ RETURN AIR  
SCALE: N.T.S.

Order Plans @ WWW.LDILine.com

Revisions:	

Sheet Title:  
**RANGER STATION  
 MECHANICAL DETAILS**

Project #: 1819  
 Date: 12/23/19



**M0.3RS**