

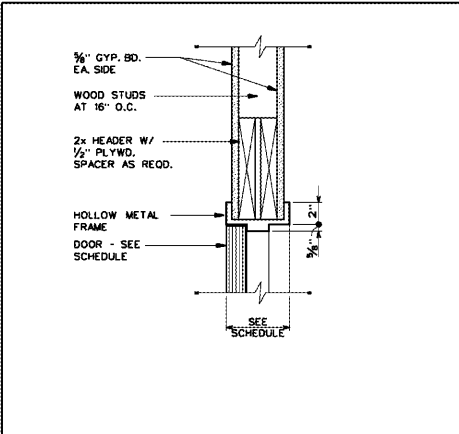


**DUNWODY/BEELEND,**  
architects, inc.

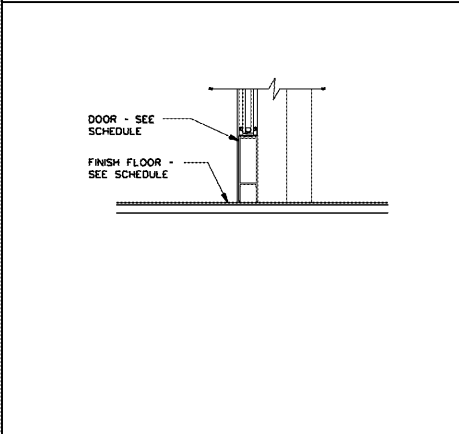
Web: [www.dunwoodybeeland.com](http://www.dunwoodybeeland.com)  
Macon Office: 1000 Peach Street, Suite 604  
Macon, Georgia 31201  
T 478/742.5321  
F 478/743.8863

Dunwoody/Beeland, Architects, Inc.  
This drawing may be utilized only for the purpose of constructing or installing the work shown thereon at the site of the work specified. Any other use of this drawing, including without limitation any reproduction or alteration of this drawing, without prior written approval of Dunwoody/Beeland, Architects, Inc. is prohibited.

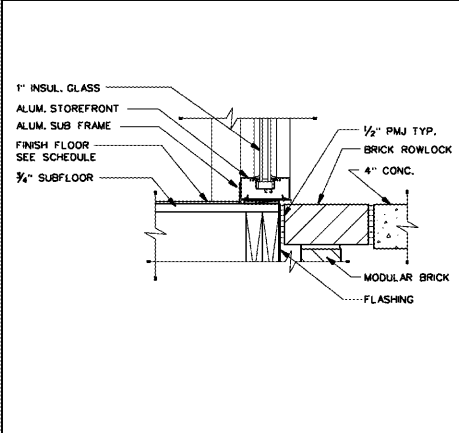
**A NEW RANGER STATION  
AT CLAYSTONE PARK  
FOR MACON-BIBB COUNTY**  
MOSLEY DIXON ROAD MACON, GEORGIA



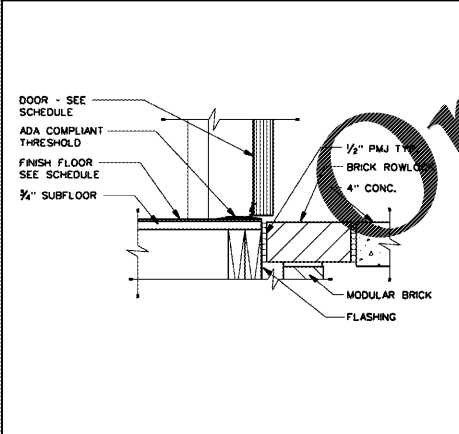
**1 HEAD DETAIL**  
A3.2 SCALE: 1/2" = 1'-0"



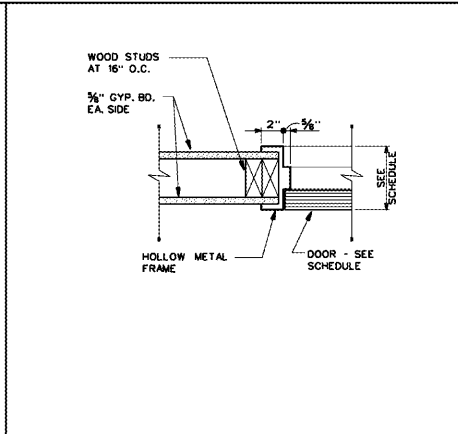
**2 JAMB DETAIL**  
A3.2 SCALE: 1/2" = 1'-0"



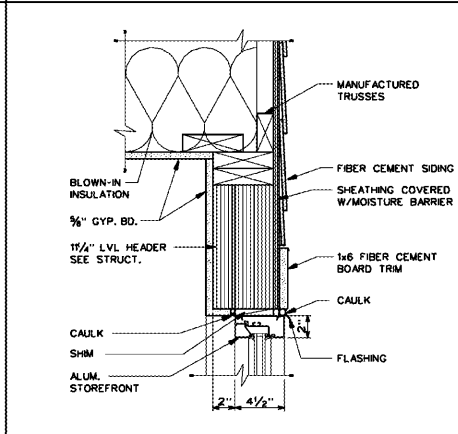
**3 HEAD DETAIL**  
A3.2 SCALE: 1/2" = 1'-0"



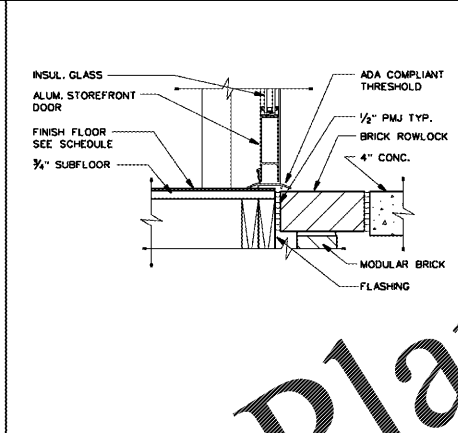
**4 HEAD DETAIL**  
A3.2 SCALE: 1/2" = 1'-0"



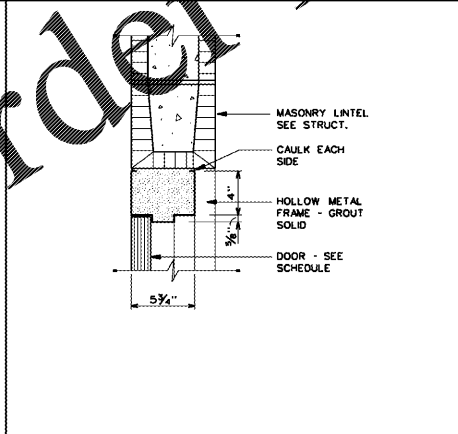
**5 JAMB DETAIL**  
A3.2 SCALE: 1/2" = 1'-0"



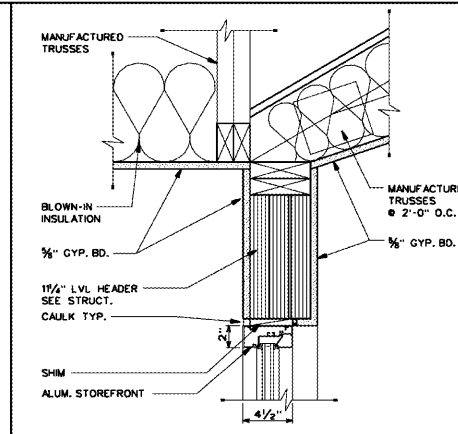
**6 JAMB DETAIL**  
A3.2 SCALE: 1/2" = 1'-0"



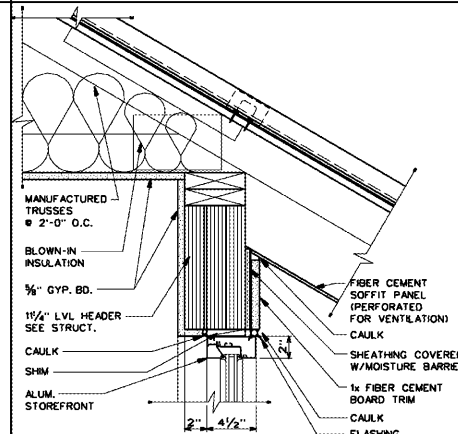
**7 SILL DETAIL**  
A3.2 SCALE: 1/2" = 1'-0"



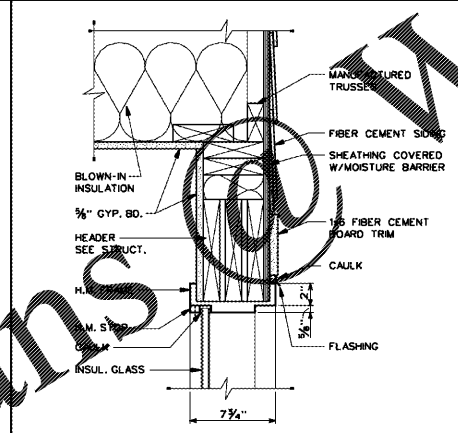
**8 HEAD DETAIL**  
A3.2 SCALE: 1/2" = 1'-0"



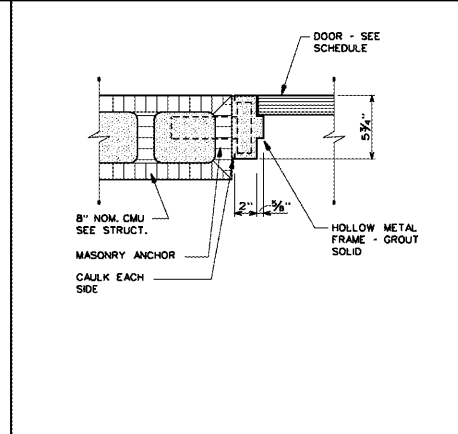
**9 HEAD DETAIL**  
A3.2 SCALE: 1/2" = 1'-0"



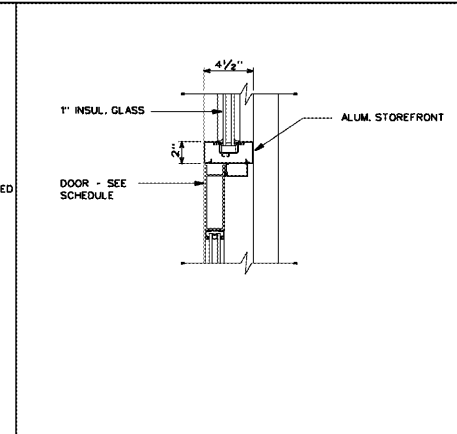
**10 JAMB DETAIL**  
A3.2 SCALE: 1/2" = 1'-0"



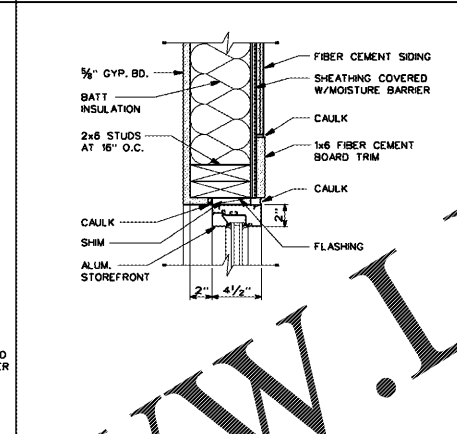
**11 JAMB DETAIL**  
A3.2 SCALE: 1/2" = 1'-0"



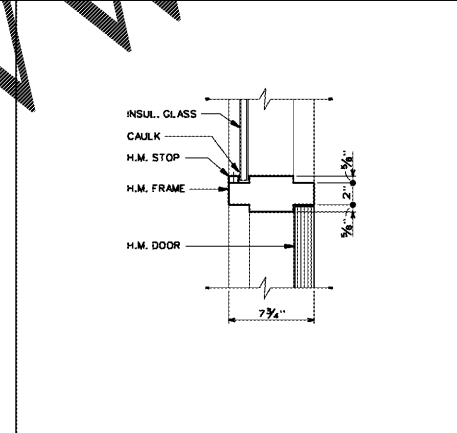
**12 SILL DETAIL**  
A3.2 SCALE: 1/2" = 1'-0"



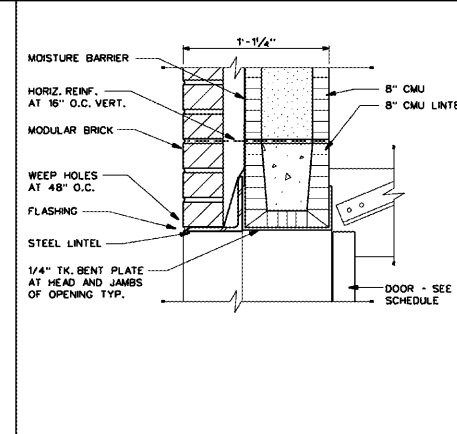
**13 SILL DETAIL**  
A3.2 SCALE: 1/2" = 1'-0"



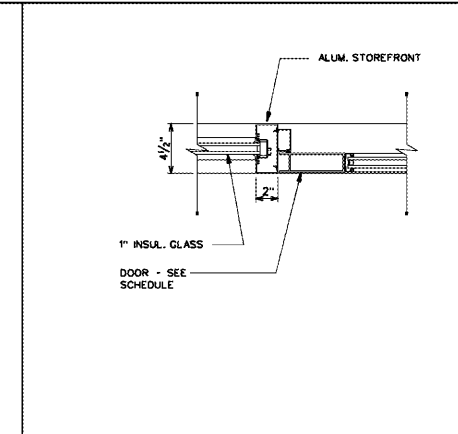
**14 SILL DETAIL**  
A3.2 SCALE: 1/2" = 1'-0"



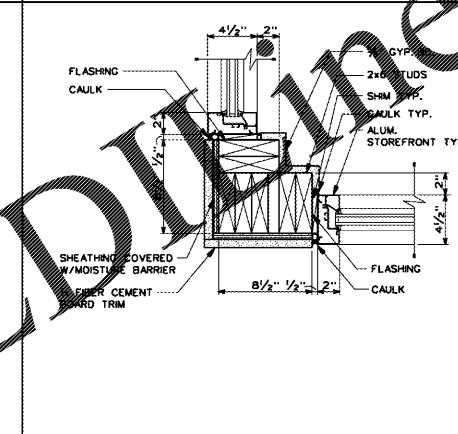
**15 HEAD DETAIL**  
A3.2 SCALE: 1/2" = 1'-0"



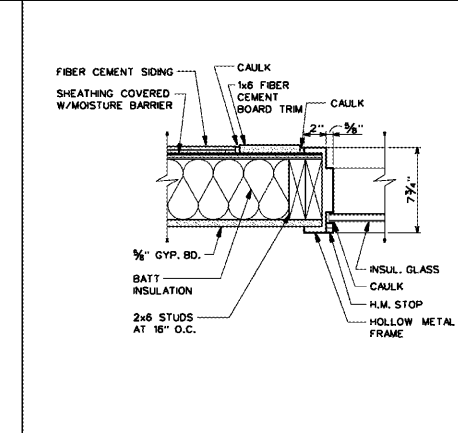
**16 HEAD DETAIL**  
A3.2 SCALE: 1/2" = 1'-0"



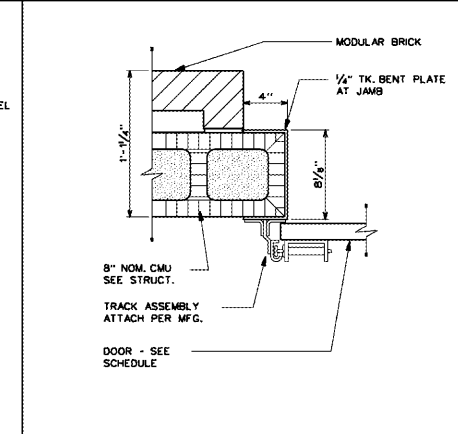
**17 JAMB DETAIL**  
A3.2 SCALE: 1/2" = 1'-0"



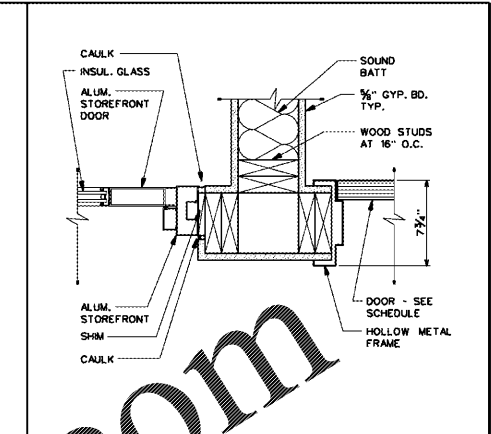
**18 JAMB DETAIL**  
A3.2 SCALE: 1/2" = 1'-0"



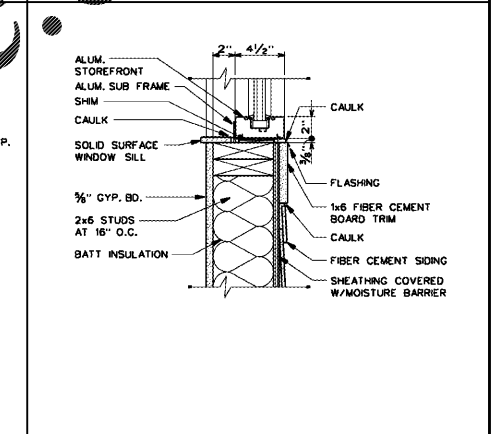
**19 SILL DETAIL**  
A3.2 SCALE: 1/2" = 1'-0"



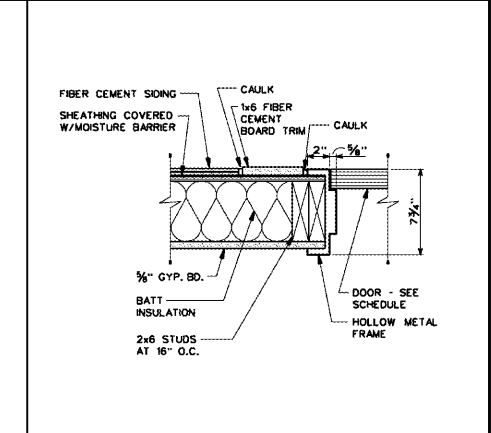
**20 HEAD DETAIL**  
A3.2 SCALE: 1/2" = 1'-0"



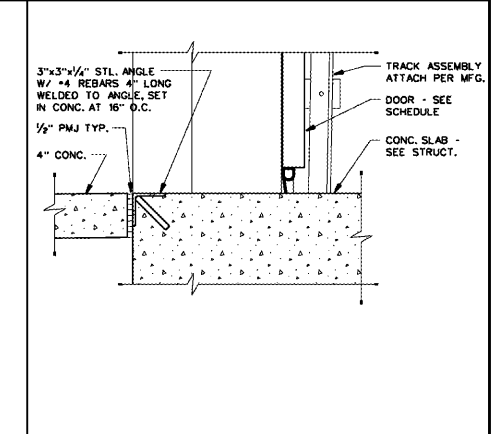
**21 JAMB DETAIL**  
A3.2 SCALE: 1/2" = 1'-0"



**22 HEAD DETAIL**  
A3.2 SCALE: 1/2" = 1'-0"



**23 JAMB DETAIL**  
A3.2 SCALE: 1/2" = 1'-0"



**24 SILL DETAIL**  
A3.2 SCALE: 1/2" = 1'-0"

Revisions:

No.	Description

Sheet Title:  
Details

Project #: 1819 Date: 12/20/19

**A3.2**