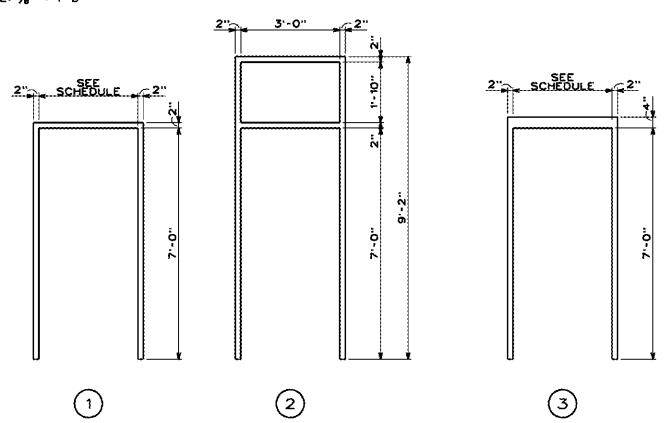


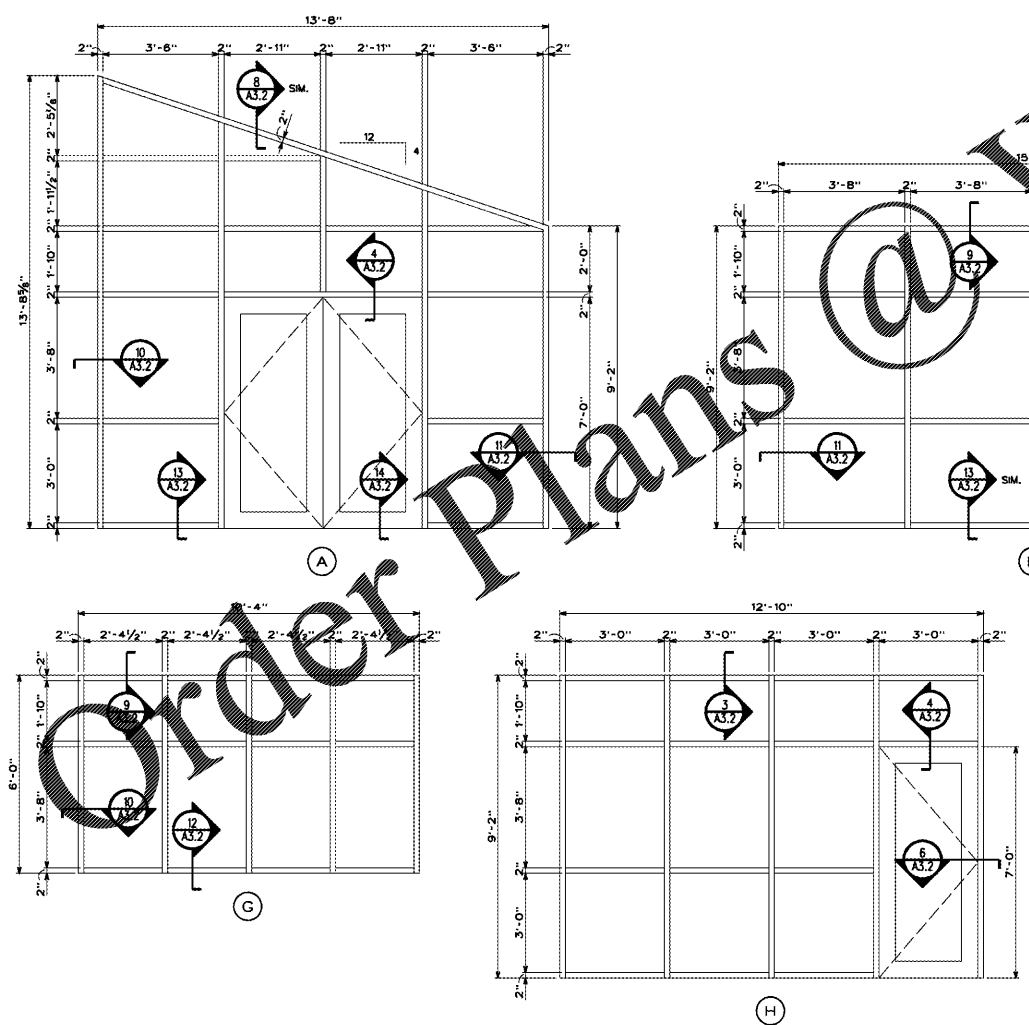
**DOOR TYPES**

SCALE: 3/8" = 1'-0"



**H.M. FRAME TYPES**

SCALE: 3/8" = 1'-0"



**ALUM. FRAME TYPES**

SCALE: 3/8" = 1'-0"

DOOR SCHEDULE																			
DOOR NO.	DOOR					FRAME							LABEL	HW. SET	KEY	DOOR NO.	REMARKS		
	TYPE	MAT.	GA.	GLASS TYPE	SIZE	TYPE	MAT.	WIDTH	GA.	HEAD	JAMB	SILL							
										DET	DWG	DET						DWG	DET
01	A	ALUM.			PR. 3'-0"x7'-0"x1 3/4"	A	ALUM.	4 1/2"		4	A3.2	5	A3.2	14	A3.2			01	
02	B	HM			3'-0"x7'-0"x1 3/4"	2	H.M.	7 3/4"	14	16	A3.2	18	A3.2	19	A3.2			02	
03	B	HM			3'-0"x7'-0"x1 3/4"	2	H.M.	7 3/4"	14	16	A3.2	18	A3.2	19	A3.2			03	
04	C	WOOD			3'-0"x8'-0"x1 3/4"	1	H.M.	5 3/4"	14	1	A3.2	2	A3.2	-	A3.2			04	
05	C	WOOD			3'-0"x7'-0"x1 3/4"	1	H.M.	5 3/4"	14	1	A3.2	2	A3.2	-	A3.2			05	
06	C	WOOD			PR. 2'-6"x7'-0"x1 3/4"	1	H.M.	5 3/4"	14	1	A3.2	2	A3.2	-	A3.2			06	
07	C	WOOD			3'-0"x8'-0"x1 3/4"	1	H.M.	5 3/4"	14	1	A3.2	2	A3.2	-	A3.2			07	
08	C	WOOD			3'-0"x8'-0"x1 3/4"	1	H.M.	7 3/4"	14	1	A3.2	2	A3.2	-	A3.2			08	
09	A	ALUM.			3'-0"x7'-0"x1 3/4"	H	ALUM.	4 1/2"		4	A3.2	5 & 6	A3.2	7	A3.2			09	
10	C	WOOD			3'-0"x8'-0"x1 3/4"	1	H.M.	5 3/4"	14	1	A3.2	2	A3.2	-	A3.2			10	
11	C	WOOD			3'-0"x8'-0"x1 3/4"	1	H.M.	5 3/4"	14	1	A3.2	2	A3.2	-	A3.2			11	
12	C	WOOD			PR. 2'-6"x7'-0"x1 3/4"	1	H.M.	5 3/4"	14	1	A3.2	2	A3.2	-	A3.2			12	
13	C	WOOD			3'-0"x8'-0"x1 3/4"	1	H.M.	5 3/4"	14	1	A3.2	2	A3.2	-	A3.2			13	UNDERCUT DOOR
14	C	WOOD			3'-0"x8'-0"x1 3/4"	1	H.M.	5 3/4"	14	1	A3.2	2	A3.2	-	A3.2			14	UNDERCUT DOOR
15	C	WOOD			3'-0"x8'-0"x1 3/4"	1	H.M.	5 3/4"	14	1	A3.2	2	A3.2	-	A3.2			15	
16	C	WOOD			3'-0"x8'-0"x1 3/4"	1	H.M.	5 3/4"	14	1	A3.2	2	A3.2	-	A3.2			16	
17	C	WOOD			3'-0"x8'-0"x1 3/4"	1	H.M.	5 3/4"	14	1	A3.2	2	A3.2	-	A3.2			17	
18	C	WOOD			3'-0"x8'-0"x1 3/4"	1	H.M.	5 3/4"	14	1	A3.2	2	A3.2	-	A3.2			18	
19	C	WOOD			3'-0"x8'-0"x1 3/4"	1	H.M.	5 3/4"	14	1	A3.2	2	A3.2	-	A3.2			19	
20	D	MTL			8'-0"x8'-0"					22	A3.2	23	A3.2	24	A3.2			20	
21	D	MTL			8'-0"x8'-0"					22	A3.2	23	A3.2	24	A3.2			21	
22	B	HM			3'-0"x7'-0"x1 3/4"	2	H.M.	5 3/4"	14	2	A3.2	21	A3.2	-	A3.2			22	
23	B	HM			3'-0"x7'-0"x1 3/4"	3	H.M.	5 3/4"	14	2	A3.2	21	A3.2	-	A3.2			23	



**DUNWODY/BEELAND,**  
architects, inc.

Web: [www.dunwodybeeland.com](http://www.dunwodybeeland.com)  
Macon, Georgia 31201  
T 478.742.5321  
F 478.743.5863

Dunwody/Beeland, Architects, Inc.  
This drawing may be utilized only for the purpose of constructing or installing the work shown thereon at the site of the work specified. Any other use of this drawing, including without limitation any reproduction or alteration of this drawing, without prior written approval of Dunwody/Beeland, Architects, Inc. is prohibited.

**A NEW RANGER STATION  
AT CLAYSTONE PARK  
FOR MACON-BIBB COUNTY**  
MOSLEY DIXON ROAD MACON, GEORGIA

Revisions:

Sheet Title:  
Schedules

Project #: 1819 Date: 12/20/19

**A3.1**