



**DUNWOODY/BEELAND,**  
architects, inc.

Web: [www.dunwoodybeeland.com](http://www.dunwoodybeeland.com)  
Macon, Georgia 31201  
Tel: 478.742.5321  
Fax: 478.743.0863

Dunwoody/Beeland, Architects, Inc.  
This drawing may be utilized only for the purpose of constructing or installing the work shown thereon at the site of the work specified. Any other use of this drawing, including without limitation any reproduction or alteration of this drawing, without prior written approval of Dunwoody/Beeland, Architects, Inc. is prohibited.

**A NEW RANGER STATION  
AT CLAYSTONE PARK  
FOR MACON-BIBB COUNTY**

MOSLEY DIXON ROAD MACON, GEORGIA

Revisions:

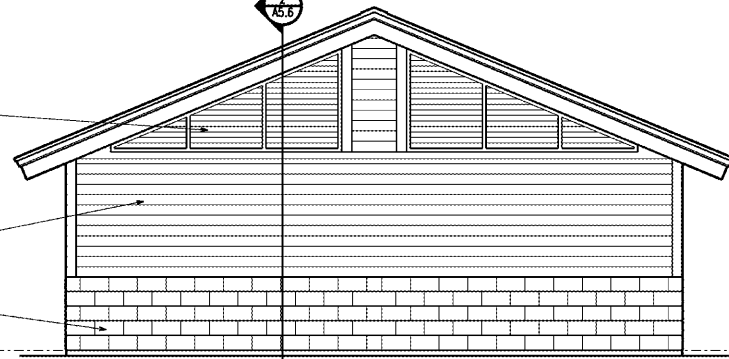
No.	Description

Sheet Title:  
New Restrooms:  
Plan, Elevations &  
Sections

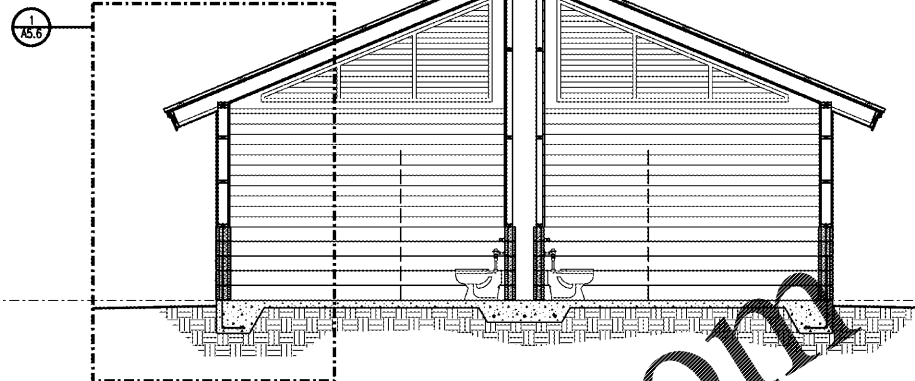
Project #: 1819 Date: 12/20/19

**A2.4**

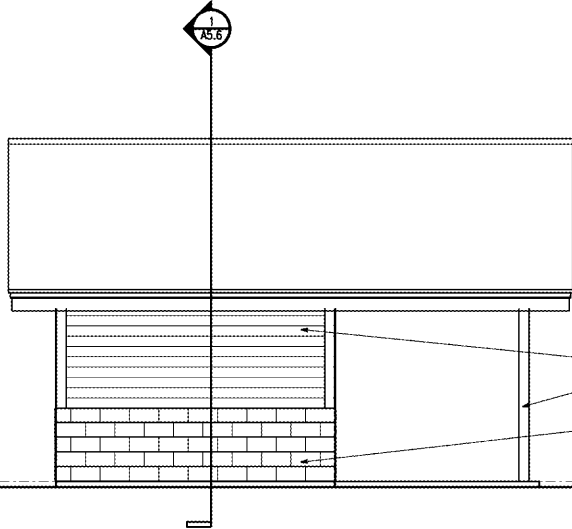
REFINISHED METAL LOUVERS  
COMPOSITE WOOD DECKING  
SPLIT FACE CMU



**5 ELEVATION**  
SCALE: 1/4" = 1'-0"

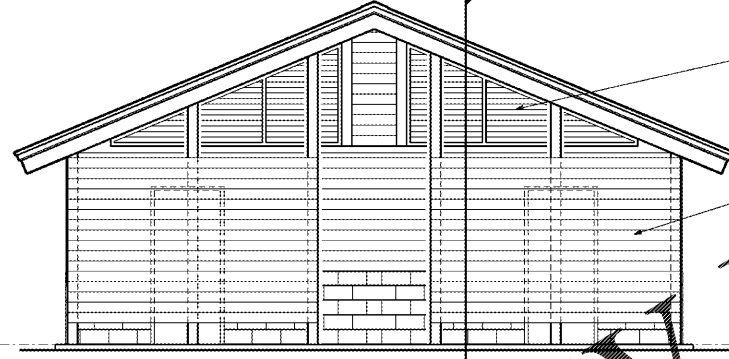


**6 SECTION**  
SCALE: 1/4" = 1'-0"



**3 ELEVATION**  
SCALE: 1/4" = 1'-0"

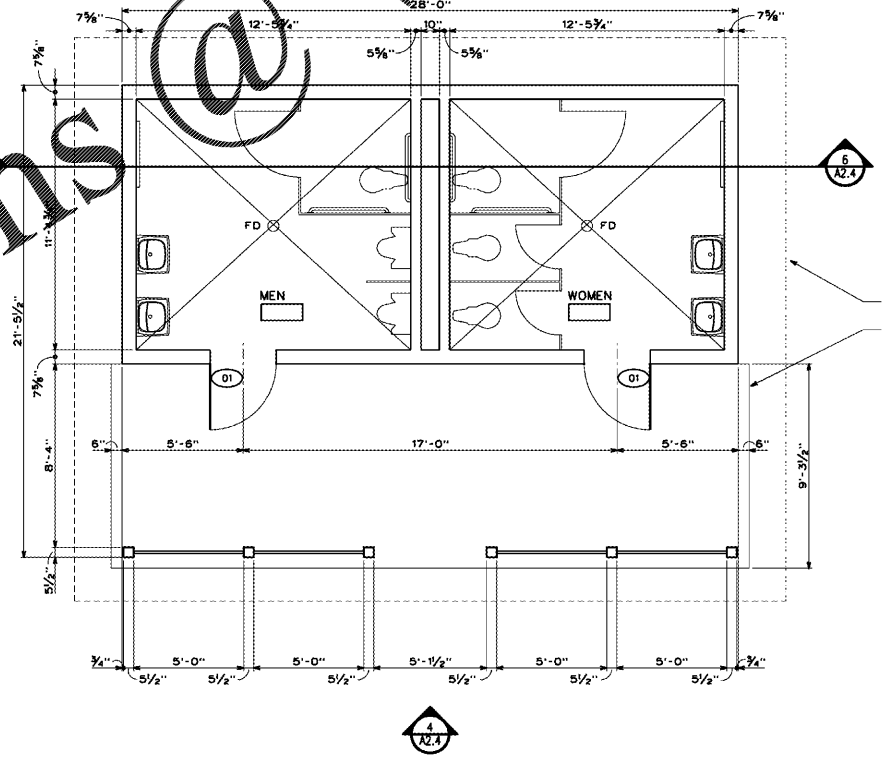
COMPOSITE WOOD DECKING  
6x6 PT WOOD POST  
SPLIT FACE CMU



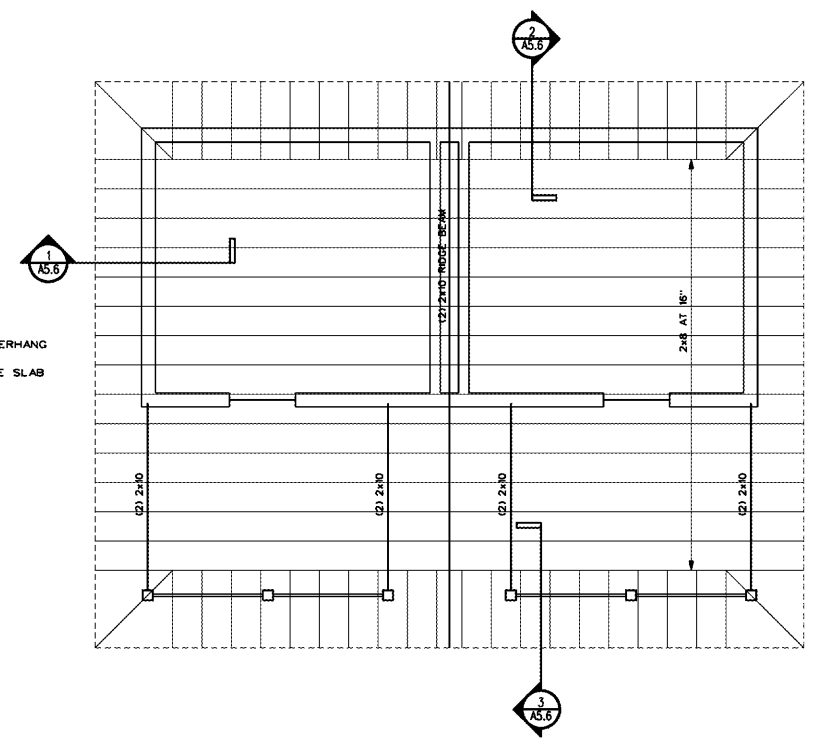
**4 ELEVATION**  
SCALE: 1/4" = 1'-0"

REFINISHED METAL LOUVERS  
COMPOSITE WOOD DECKING

Order Plans @ [WWW.LDILine.com](mailto:WWW.LDILine.com)



**1 FLOOR PLAN**  
SCALE: 1/4" = 1'-0"



**2 ROOF FRAMING PLAN**  
SCALE: 1/4" = 1'-0"