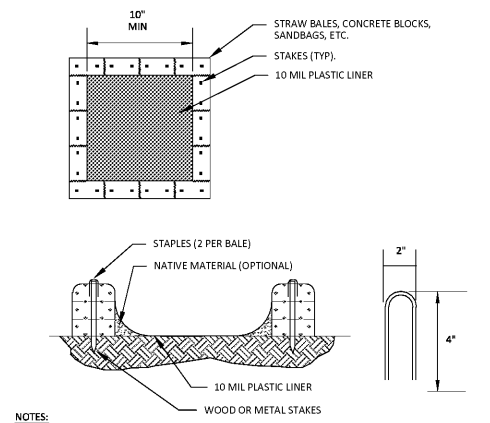
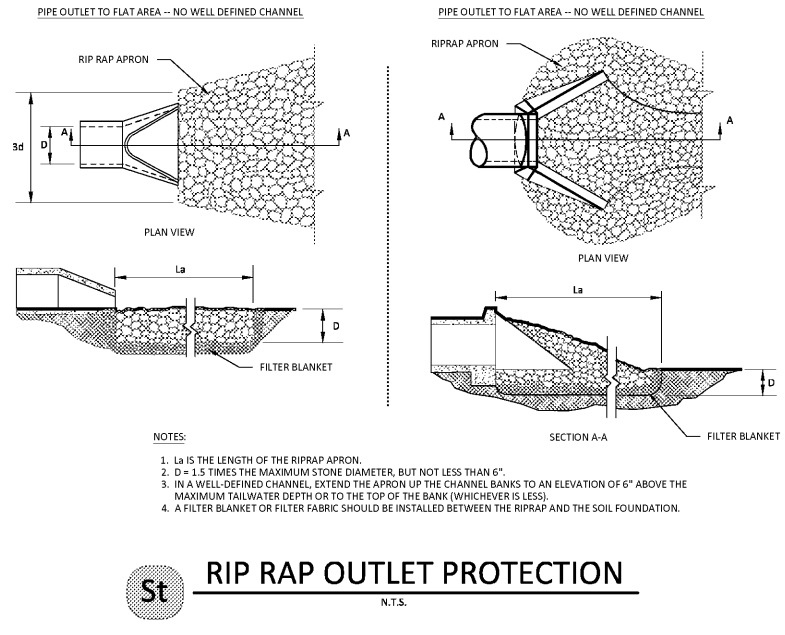


Sd1 COMPOST FILTER SOCK
N.T.S.

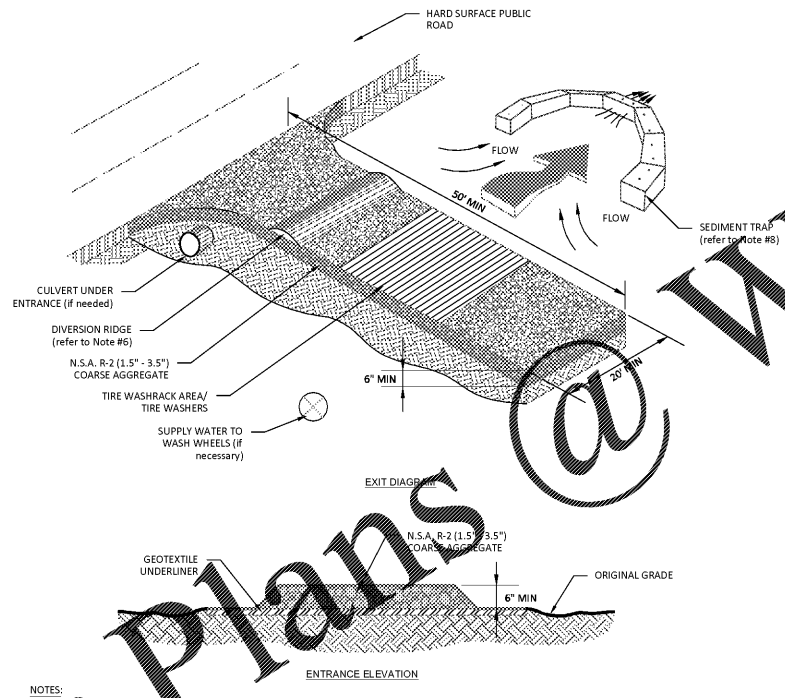


CONCRETE WASHOUT UNIT
N.T.S.

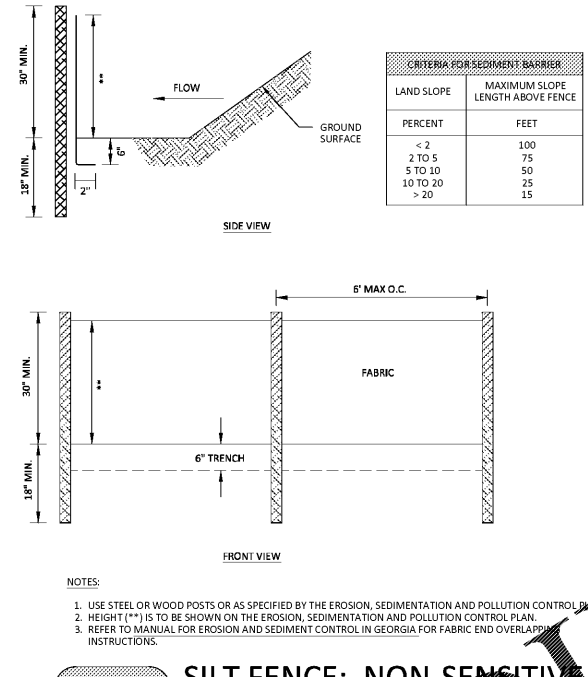
ISSUED FOR REVIEW
January 14, 2020



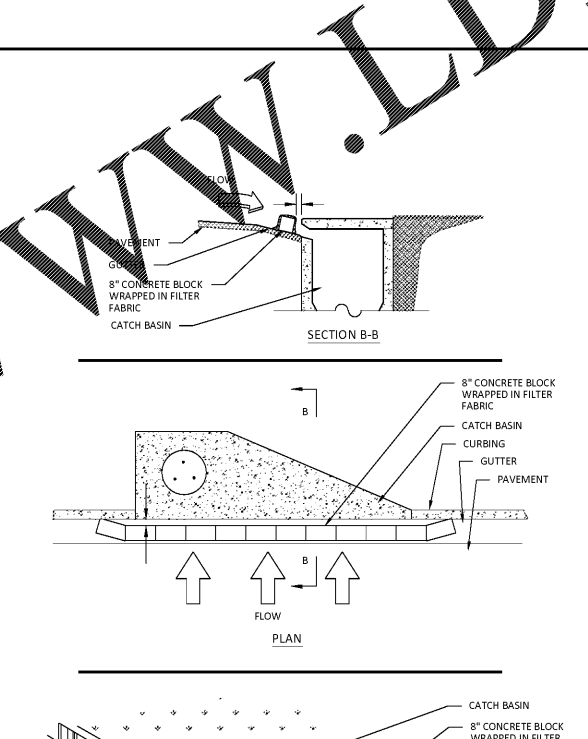
St RIP RAP OUTLET PROTECTION
N.T.S.



Co CONSTRUCTION EXIT
N.T.S.



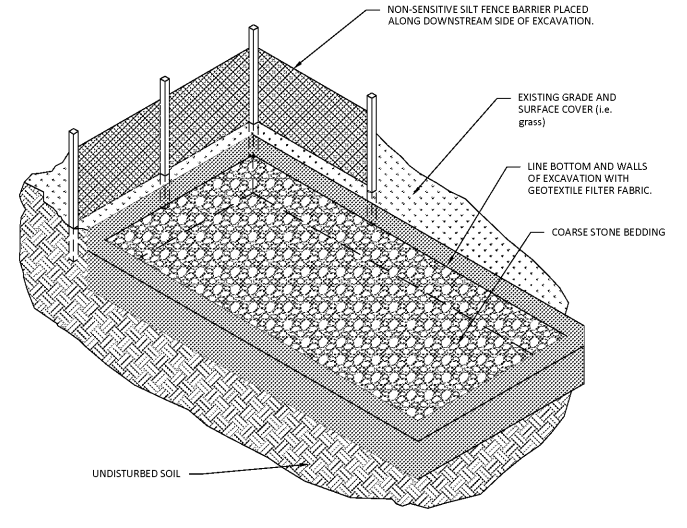
Sd1-NS SILT FENCE: NON-SENSITIVE
N.T.S.



Sd2-P CURB INLET FILTER
N.T.S.

SPILL PREVENTION CONTROL AND COUNTER MEASURES PLAN REQUIREMENTS

A. LOCAL, STATE AND MANUFACTURER'S RECOMMENDED METHODS FOR SPILL CLEANUP SHALL BE CLEARLY POSTED AND PROCEDURES SHALL BE MADE AVAILABLE TO SITE PERSONNEL.
 B. ALL SPILLS WILL BE CLEANED UP AND REPORTED TO APPLICABLE REGULATORY AGENCIES IMMEDIATELY UPON DISCOVERY.
 C. MANUFACTURER'S RECOMMENDED METHODS FOR SPILL CLEANUP WILL BE CLEARLY POSTED AND SITE PERSONNEL WILL BE MADE AWARE OF THE PROCEDURES AND THE LOCATION OF THE INFORMATION AND THE CLEANUP SUPPLIES. MATERIALS AND EQUIPMENT NECESSARY FOR SPILL CLEANUP WILL BE KEPT IN A MATERIAL STORAGE AREA ONSITE. EQUIPMENT AND MATERIALS WILL INCLUDE, BUT NOT BE LIMITED TO, BROOMS, DUST PANS, MOPS, RAGS, GLOVES, GOGGLES, CAT LITTER, SAND, SAWDUST, AND PLASTIC AND METAL TRASH CONTAINERS SPECIFICALLY FOR THIS PURPOSE.
 D. ALL SPILLS WILL BE CLEANED UP IMMEDIATELY AFTER DISCOVERY. THE SPILL AREA WILL BE KEPT WELL VENTILATED AND PERSONNEL WILL WEAR APPROPRIATE PROTECTIVE CLOTHING TO PREVENT INJURY FROM CONTACT WITH A HAZARDOUS SUBSTANCE. SPILLS OF TOXIC OR HAZARDOUS MATERIAL WILL BE REPORTED TO THE APPROPRIATE STATE OR LOCAL GOVERNMENT AGENCY, REGARDLESS OF SIZE.
 E. THE SPILL PREVENTION PLAN WILL BE ADJUSTED TO INCLUDE MEASURES TO PREVENT THIS TYPE OF SPILL FROM REOCCURRING AND HOW TO CLEAN UP THE SPILL IF THERE IS ANOTHER ONE. A DESCRIPTION OF THE SPILL, WHAT CAUSED IT AND THE CLEANUP MEASURES WILL ALSO BE INCLUDED.
 F. WHERE A HAZARDOUS WASTE IS RELEASED IN AN AMOUNT EQUAL TO OR IN EXCESS OF A REPORTING QUANTITY ESTABLISHED UNDER EITHER GEORGIA'S OIL OR HAZARDOUS MATERIAL SPILLS OR RELEASES ACT OCCURS DURING A 24 HOUR PERIOD, THE PERMITTEE IS REQUIRED TO NOTIFY THE GEORGIA EPO (404.241.4113) AND THE NATIONAL RESPONSE CENTER (NRC) (800.424.8802) IN ACCORDANCE WITH THE REQUIREMENTS OF GEORGIA'S OIL OR HAZARDOUS MATERIAL SPILLS OR RELEASES ACT UPON DISCOVERY.
 G. FOR SPILLS THAT IMPACT SURFACE WATER (LEAVES A SHEEN ON THE SURFACE WATER) OR SPILLS OF AN UNKNOWN AMOUNT, THE NATIONAL RESPONSE CENTER (NRC) SHALL BE CONTACTED WITHIN 24 HOURS UPON DISCOVERY (800.424.8802).
 H. FOR SPILL OF AN UNKNOWN AMOUNT, THE NATIONAL RESPONSE CENTER (NRC) SHALL BE CONTACTED WITHIN 24 HOURS UPON DISCOVERY (800.424.8802).
 I. FOR SPILLS GREATER THAN 25 GALLONS WITH NO SURFACE WATER IMPACTS, THE GEORGIA EPO SHALL BE CONTACTED WITHIN 24 HOURS UPON DISCOVERY (404.241.4113).
 J. FOR SPILLS LESS THAN 25 GALLONS WITH NO SURFACE WATER IMPACTS, THE SPILL SHALL BE CLEANED AND THE LOCAL REGULATORY AGENCIES SHALL BE CONTACTED AS REQUIRED.
 K. THE CONTRACTOR SHALL NOTIFY THE LICENSED PROFESSIONAL WHO PREPARED THIS PLAN IF MORE THAN 1,320 GALLONS OF PETROLEUM IS STORED ONSITE (INCLUDES CAPACITIES OF ONSITE EQUIPMENT) FOR IF ANY ONE PIECE OF ONSITE EQUIPMENT HAS A FUEL CAPACITY GREATER THAN 600 GALLONS. UNDER THE AFORESAID CONDITIONS, THE CONTRACTOR WILL BE REQUIRED TO DEVELOP A SPILL PREVENTION CONTAINMENT AND COUNTERMEASURES PLAN PREPARED BY A LICENSED PROFESSIONAL.
 L. THE OPERATOR WILL DESIGNATE A SPILL PREVENTION AND CLEANUP COORDINATOR. HE WILL DESIGNATE AT LEAST THREE OTHER SITE PERSONNEL WHO WILL RECEIVE SPILL PREVENTION AND CLEANUP TRAINING. THESE INDIVIDUALS WILL EACH BECOME RESPONSIBLE FOR A PARTIAL AREA OF PREVENTION AND CLEANUP. THE NAMES OF RESPONSIBLE SPILL PERSONNEL WILL BE POSTED IN THE MATERIAL STORAGE AREA AND WAREHOUSE OFFICE TRAILER ONSITE.
 M. REFER TO PETROLEUM LEAK REMEDIATION BMP DETAIL FOR CONTAINMENT MEASURES.



PETROLEUM LEAK REMEDIATION BMP
N.T.S.

ESPC NOTES
(land disturbance less than one acre)

"I CERTIFY UNDER PENALTY OF LAW THAT THIS PLAN WAS PREPARED AFTER A SITE VISIT TO THE LOCATIONS DESCRIBED HEREIN BY MYSELF OR MY AUTHORIZED AGENT, UNDER MY SUPERVISION."

Michael P. Reeves SIGNATURE
JANUARY 13, 2020 DATE

ANY DISTURBED AREA LEFT EXPOSED FOR A PERIOD GREATER THAN 14 DAYS SHALL BE STABILIZED WITH MULCH OR TEMPORARY SEEDING.

EROSION CONTROL MEASURES WILL BE MAINTAINED AT ALL TIMES. IF FULL IMPLEMENTATION OF THE APPROVED PLAN DOES NOT PROVIDE FOR EFFECTIVE EROSION CONTROL, ADDITIONAL EROSION AND SEDIMENTATION CONTROL MEASURES SHALL BE IMPLEMENTED TO CONTROL OR TREAT THE SEDIMENT SOURCE.

THE ESCAPE OF SEDIMENT FROM THE SITE SHALL BE PREVENTED BY THE INSTALLATION OF EROSION CONTROL MEASURES AND PRACTICES PRIOR TO, OR CONCURRENT WITH, LAND DISTURBING ACTIVITIES.

NON-EXEMPT ACTIVITIES SHALL NOT BE CONDUCTED WITHIN THE 25 OR 50-FOOT UNDISTURBED STREAM BUFFERS AS MEASURED FROM THE POINT OF WRESTED VEGETATION WITHOUT FIRST ACQUIRING THE NECESSARY VARIANCES AND PERMITS.

REGARDING THE NEW RANGER STATION, THE PROJECT'S PRE-CONSTRUCTION AND POST-CONSTRUCTION SC3 CURVE NUMBERS ARE ESTIMATED TO BE 83 AND 93, RESPECTIVELY. NO HYDROLOGIC CHANGES ARE EXPECTED FROM THE NEW RESTROOMS AND GATE HOUSES.

SEDIMENT STORAGE VOLUME MUST BE IN PLACE PRIOR TO AND DURING ALL LAND DISTURBANCE ACTIVITIES UNTIL FINAL STABILIZATION OF THE SITE HAS BEEN ACHIEVED.

REEVES DESIGN
Services, LLC • Consulting Engineers
4875 RIVERSIDE DRIVE / SUITE 107
MACON, GEORGIA 31210
478.747.5772
www.reevesdesign.net

DUNWODY/BEELAND, architects, inc.
1000 Industry Street, Suite 200
Macon, Georgia 31204
T 478.742.6225
F 478.742.6225

Dunwody/Beeland, Architects, Inc.
This drawing may be utilized only for the purpose of constructing or installing the work shown thereon at the site of the work specified. Any other use of this drawing, including without limitation any reproduction or alteration of this drawing, without prior written approval of Dunwody/Beeland, Architects, Inc. is prohibited.

A NEW RANGER STATION AT CLAYSTONE PARK FOR MACON-BIBB COUNTY
MOSLEY DIXON ROAD MACON, GEORGIA

Revisions:

Sheet Title:
CONSTRUCTION DETAILS AND SPECIFICATIONS

Project #: 1819 **Date:** 01/13/20

C11