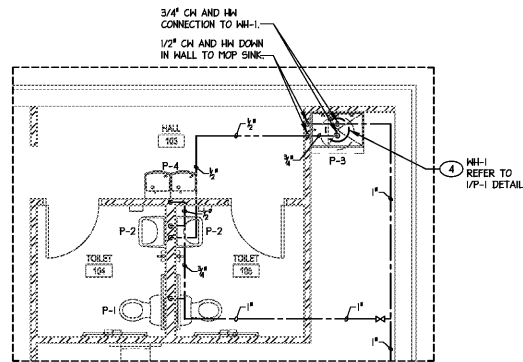


- DEMOLITION KEYED NOTES**
- D1 REMOVE EXISTING WATER CLOSET AND ALL ASSOCIATED WATER, WASTE AND VENT PIPING BACK TO CONNECTION WITH MAIN PLUMBING LINES AND CAP OFF. NO SANITARY WASTE DEAD END PIPING IS ALLOWED.
  - D2 REMOVE EXISTING HALL HUNG LAVATORY AND ALL ASSOCIATED WATER, WASTE AND VENT PIPING BACK TO CONNECTION WITH MAIN PLUMBING LINES AND CAP OFF. NO SANITARY WASTE DEAD END PIPING IS ALLOWED.
  - D3 REMOVE EXISTING DRINKING FOUNTAIN AND ALL ASSOCIATED WATER, WASTE AND VENT PIPING BACK TO CONNECTION WITH MAIN PLUMBING LINES AND CAP OFF. NO SANITARY WASTE DEAD END PIPING IS ALLOWED.
  - D4 REMOVE EXISTING HOP SINK AND ALL ASSOCIATED WATER, WASTE AND VENT PIPING BACK TO CONNECTION WITH MAIN PLUMBING LINES AND CAP OFF. NO SANITARY WASTE DEAD END PIPING IS ALLOWED.
  - D5 REMOVE EXISTING PHARMACY SINK, UNDER COUNTER WATER HEATER AND ALL ASSOCIATED WATER, WASTE AND VENT PIPING BACK TO CONNECTION WITH MAIN PLUMBING LINES AND CAP OFF. NO SANITARY WASTE DEAD END PIPING IS ALLOWED.
  - D6 REMOVE EXISTING URINAL AND ALL ASSOCIATED WATER, WASTE AND VENT PIPING BACK TO CONNECTION WITH MAIN PLUMBING LINES AND CAP OFF. NO SANITARY WASTE DEAD END PIPING IS ALLOWED.
  - D7 REMOVE EXISTING FLOOR DRAIN AND ALL ASSOCIATED WASTE AND VENT PIPING BACK TO CONNECTION WITH MAIN PLUMBING LINES AND CAP OFF. NO SANITARY WASTE DEAD END PIPING IS ALLOWED.
  - D8 REMOVE EXISTING WATER HEATER ON MEZZANINE LEVEL AND ALL ASSOCIATED WATER AND DRAIN PIPING BACK TO CONNECTION WITH MAIN PLUMBING LINES AND CAP OFF.

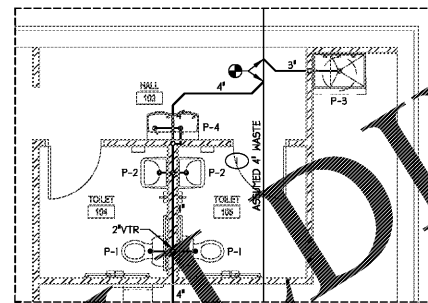
- PLUMBING KEYED NOTES**
- 1 ASSUMED LOCATION OF EXISTING WASTE LINE BASED ON FIELD SURVEY. PC SHALL FIELD VERIFY EXACT LOCATION, EXISTING ROUTING, SIZE OF EXISTING LINE, FLOW DIRECTION, INVERT AND TIE-IN POINT PRIOR TO BEGINNING CONSTRUCTION AND NOTIFY ENGINEER IMMEDIATELY OF ANY ISSUES. ALTERNATE TIE-IN LOCATIONS ARE ACCEPTABLE.
  - 2 EXISTING 1/2" DOMESTIC WATER SERVICE.
  - 3 DOMESTIC WATER ENTRANCE LOCATION WITH SHUT-OFF VALVE AND BACKFLOW PREVENTER IN VERTICAL RISE. FIELD ROUTE AND CONNECT NEW 1" COLD WATER PIPING INTO THIS EXISTING PIPING.
  - 4 LOCATE ELECTRIC WATER HEATER ABOVE HOP SINK WITH 6'-0" CLEAR TO BOTTOM OF WATER HEATER SUPPORT PLATFORM. PROVIDE A SIGN THAT STATES "DO NOT TURN THE WATER HEATER OFF AT NIGHT". COORDINATE SIGN LOCATION WITH FAMILY DOLLAR PROJECT MANAGER.
  - 5 MAINTAIN COLD WATER CONNECTION TO EXISTING EXTERIOR HOSE BIBB. VERIFY HOSEBIBB IS IN GOOD OPERATING CONDITION AND REPLACE IF NECESSARY.

**PLUMBING LEGEND**

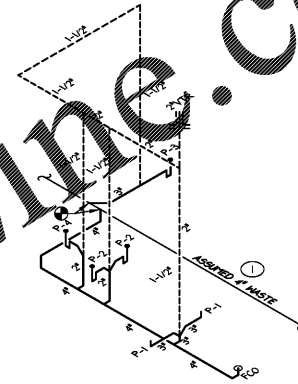
---	DOMESTIC COLD WATER PIPING
(E)---	EXIST. DOMESTIC COLD WATER PIPING
---	DOMESTIC HOT WATER PIPING
---	VENT PIPING
(E)---	EXIST. VENT PIPING
(E)---	WASTE (SANITARY SEWER)
(E)---	EXIST. WASTE (SANITARY SEWER)
PH---	PUMP WASTE (PW)
+	FULL PORT SHUT-OFF VALVE
+	CHECK VALVE
○	PIPE UP
○	PIPE DOWN
●	POINT OF CONNECTION TO EXISTING



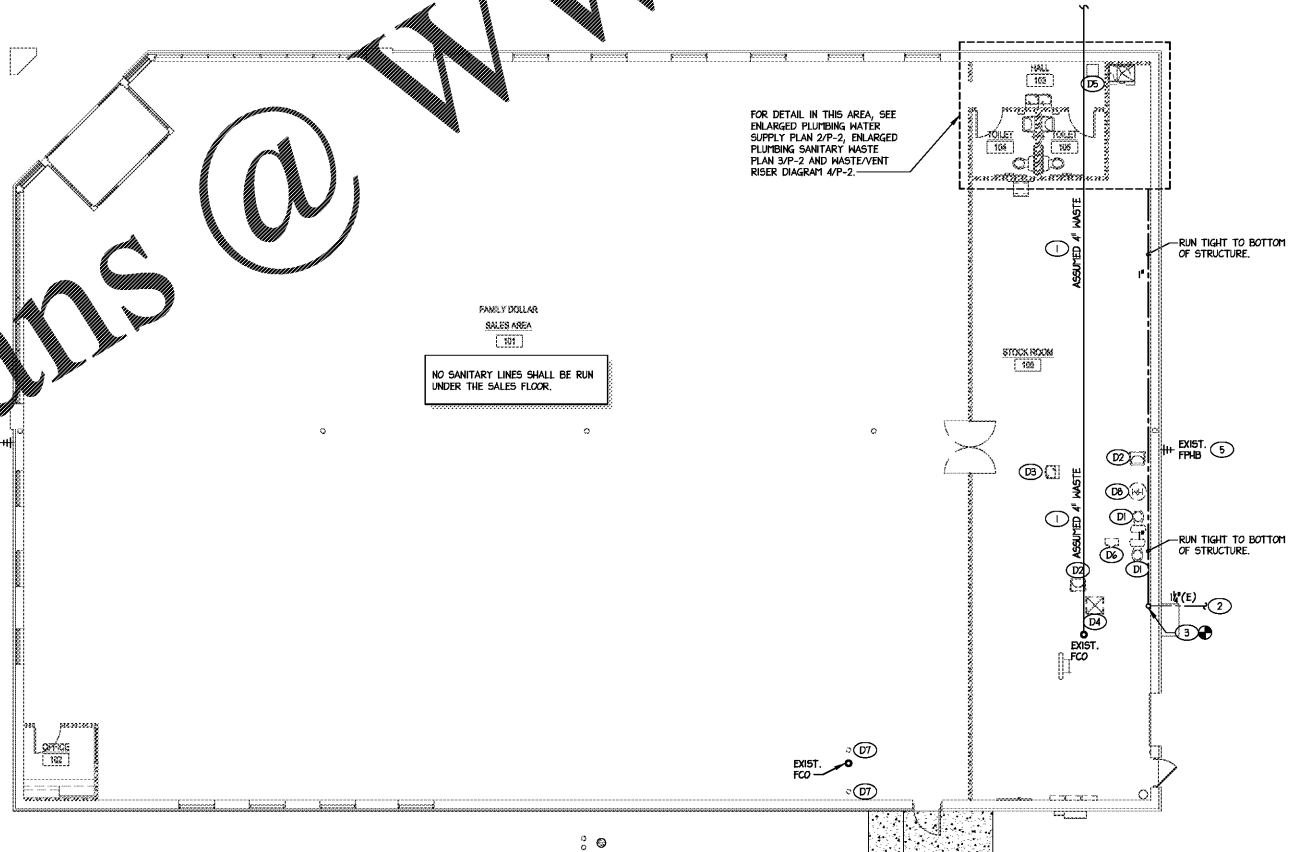
2 ENLARGED WATER SUPPLY PLAN  
1/4" = 1'-0"



3 ENLARGED SANITARY WASTE PLAN  
1/4" = 1'-0"



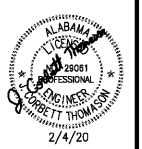
4 WASTE/VENT RISER  
NO SCALE



1 PLUMBING FLOOR PLAN  
1/8" = 1'-0"

Order Plans @ [www.ediLine.com](http://www.ediLine.com)

ENGINEER OF RECORD:  
J. CORBETT THOMASON, P.E.  
2100 DILWORTH RD EAST  
CHARLOTTE, NC 28203  
PH (704) 333-1020  
Corbett@CorbettEngineering.com



revision	date	by	description

date	designed	checked	approved	contract



1317 Executive Blvd, Suite 200  
Chesapeake, VA 23029  
(757) 522-3602



project: FAMILY DOLLAR SALES AREA  
sheet: PLUMBING LIFT/FIT PLANS AND DETAILS

sheet: P-2