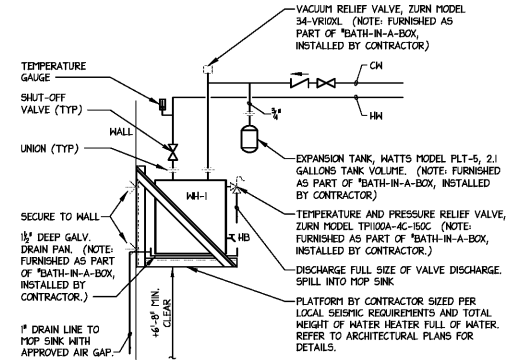
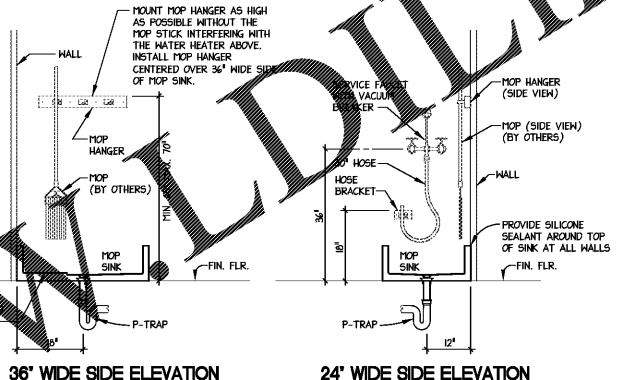


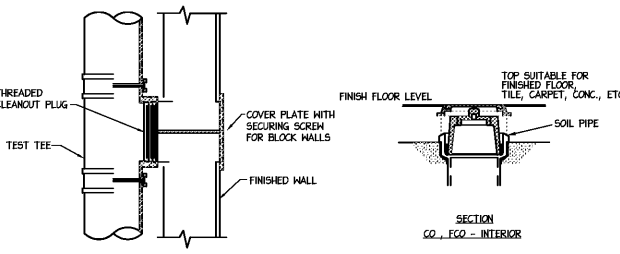
PLUMBING GENERAL NOTES		
<p><b>GENERAL REQUIREMENTS:</b></p> <ol style="list-style-type: none"> <li>SCOPE: PROVIDE ALL LABOR, MATERIAL AND EQUIPMENT REQUIRED FOR THE COMPLETION AND OPERATION OF ALL SYSTEMS IN THIS SECTION OF WORK IN ACCORDANCE WITH ALL APPLICABLE CODES.</li> <li>PERMITS: APPLY FOR AND PAY FOR ALL NECESSARY PERMITS, FEES, AND INSPECTIONS REQUIRED BY ANY PUBLIC AUTHORITY HAVING JURISDICTION.</li> <li>WARRANTY: PROVIDE ALL MATERIALS AND EQUIPMENT UNDER THIS SECTION OF THE SPECIFICATIONS WITH A ONE YEAR WARRANTY FROM THE DATE OF ACCEPTANCE OF WORK BY THE OWNER.</li> <li>COORDINATION: VERIFY ALL ROUGH-IN LOCATIONS AND COORDINATE PIPING AND EQUIPMENT LOCATIONS WITH WORK UNDER OTHER DIVISIONS OF THE SPECIFICATIONS TO AVOID CONFLICTS. CONTRACTOR SHALL COORDINATE WITH OTHER TRADES FOR ALL STRUCTURES, PIPING, CONDUIT, DUCTWORK, LIGHTING, ETC. TO PROPERLY BE INSTALLED. ANY CONFLICTS SHALL BE RESOLVED AT NO CHARGE TO THE OWNER. COORDINATE INSTALLATION OF ALL PLUMBING LINES AT CMU WALLS SO THAT PLUMBING LINES ARE PLACED IN HALL DURING CMU WALL CONSTRUCTION. CUTTING AND PATCHING OF CMU WALLS IN PLACE WILL NOT BE PERMITTED.</li> <li>FIELD VERIFICATION: FIELD VERIFY EXISTING CONDITIONS BEFORE STARTING CONSTRUCTION AND NOTIFY THE ARCHITECT/ENGINEER OF RECORD OF ANY DISCREPANCIES BETWEEN THE CONSTRUCTION DOCUMENTS AND EXISTING CONDITIONS AND/OR ANY POTENTIAL PROBLEMS OBSERVED BEFORE CONTINUING WORK IN THE EFFECTED AREAS.</li> <li>PLUMBING SYSTEMS INCLUDE, BUT ARE NOT LIMITED TO: <ul style="list-style-type: none"> <li>PLUMBING FIXTURES AND EQUIPMENT</li> <li>FIRE STOPPING</li> <li>DOMESTIC WATER SYSTEM</li> <li>SANITARY WASTE AND VENT SYSTEM</li> </ul> </li> </ol> <p><b>FIXTURES &amp; EQUIPMENT:</b></p> <ol style="list-style-type: none"> <li>ALL PLUMBING FIXTURES AND PLUMBING SYSTEM EQUIPMENT SHALL BE PROVIDED COMPLETE WITH ALL ACCESSORIES, HANGERS, VALVES, STOPS, TAILPIECES, TRAPS, FAUCETS, STRAINERS, ETC. PROVIDE ISOLATION VALVES AT ALL PLUMBING FIXTURES AND EQUIPMENT. SEE FIXTURE SCHEDULE.</li> <li>REFER TO ARCHITECTURAL DRAWINGS FOR MOUNTING HEIGHTS AND LOCATIONS OF ALL PLUMBING FIXTURES AND EQUIPMENT.</li> </ol> <p><b>FIRE STOPPING:</b></p> <ol style="list-style-type: none"> <li>PROVIDE A U.L. LISTED ASSEMBLY FOR ALL PIPING PENETRATIONS THRU FIRE RATED WALLS AND FLOORS.</li> </ol>	<p><b>DOMESTIC WATER PIPING:</b></p> <ol style="list-style-type: none"> <li>PROVIDE A COMPLETE SYSTEM OF HOT AND COLD WATER PIPING FROM ALL PLUMBING FIXTURES AND/OR OTHER EQUIPMENT. HOT AND COLD WATER LINES SHALL BE CONCEALED IN THE BUILDING CONSTRUCTION WHERE POSSIBLE.</li> <li>DOMESTIC WATER PIPING BELOW SLAB: SOFT ANNEALED SEAMLESS COPPER TUBING, TYPE "K" WITH NO JOINTS BELOW SLAB (ASTM B 88). IF ALLOWED BY LOCAL JURISDICTION, PEX PIPING MAY BE RUN BELOW SLAB. PROVIDE SLEEVING WHERE PEX PIPING PENETRATES CONCRETE SLAB OR IS SUBJECT TO ABRASION AND AS RECOMMENDED BY MANUFACTURER.</li> <li>DOMESTIC WATER PIPING AND JOINTS ABOVE SLAB: PEX PIPING (ASTM F 876) UNLESS LOCAL JURISDICTION REQUIRES OTHER MATERIAL.</li> <li>STERILIZE DOMESTIC WATER PIPING IN ACCORDANCE WITH THE AMERICAN WATER WORKS ASSOCIATION'S SPECIFICATIONS AND LOCAL HEALTH DEPARTMENT REGULATIONS.</li> <li>INSULATION IS REQUIRED ON ALL WATER SUPPLY PIPING ABOVE FINISHED FLOOR IN ACCORDANCE WITH THE STATE PLUMBING CODE OR PER LOCAL JURISDICTION. ALL PIPE INSULATION SHALL RUN CONTINUOUSLY THROUGH FLOORS, WALLS, AND PARTITIONS.</li> <li>DOMESTIC WATER PIPING INSULATION, JACKETS, COVERINGS, SEALERS, MASTICS AND ADHESIVES SHALL MEET A FLAME-SPREAD RATING OF 25 OR LESS AND A SMOKE-DEVELOPED RATING OF 50 OR LESS, AS TESTED BY ASTM E84 (NFPA 255) METHOD.</li> <li>DO NOT INSTALL DOMESTIC WATER PIPING IN AREAS SUBJECT TO FREEZING TEMPERATURES. INSTALL WATER PIPING IN EXTERIOR WALLS ON THE CONDITIONED SIDE OF THE WALL INSULATION.</li> <li>PROVIDE FULL PORT VALVES IN ALL BRANCH LINES OF THE HOT AND COLD WATER DISTRIBUTION SYSTEM ON 1/2" AND LARGER CH &amp; HH AND AS SHOWN ON PLANS, RISERS, AND SCHEMATIC DETAILS.</li> <li>PROVIDE ACCESS DOORS FOR ALL VALVES AND DEVICES REQUIRING ACCESS WHEN LOCATED IN WALLS OR ABOVE INACCESSIBLE CEILING CONSTRUCTION.</li> <li>COPPER PIPING SHALL BE PROTECTED AGAINST CONTACT WITH MASONRY OR DISSIMILAR METALS. ALL HANGERS, SUPPORTS, ANCHORS, AND CLIPS SHALL BE COPPER OR COPPER PLATED. WHERE COPPER PIPING IS CARRIED ON IRON TRAPEZE HANGERS WITH OTHER PIPING, SATISFACTORY AND PERMANENT ELECTROLYTIC ISOLATION MATERIAL SHALL PROTECT THE COPPER AGAINST CONTACT WITH OTHER METALS.</li> <li>WHERE COPPER PIPING IS SLEEVED THROUGH MASONRY, SLEEVES SHALL BE COPPER OR RED BRASS. WHERE COPPER MUST BE CONCEALED IN A MASONRY PARTITION OR AGAINST MASONRY, CONTACT SHALL BE PREVENTED BY COATING THE COPPER HEAVILY WITH ASPHALTIC GRANEL AND PROVIDING 1/8" ASPHALT SATURATED FELT BETWEEN THE PIPE AND MASONRY.</li> <li>PROVIDE CHROME ESCUTCHEON RINGS AT ALL EXPOSED CEILING AND WALL PENETRATIONS.</li> </ol>	<p><b>SANITARY WASTE AND VENT PIPING:</b></p> <ol style="list-style-type: none"> <li>PROVIDE A COMPLETE SYSTEMS OF SOIL, WASTE, AND VENT PIPING FROM ALL PLUMBING FIXTURES AND/OR OTHER EQUIPMENT. ALL SOIL, WASTE AND VENT LINES SHALL BE CONCEALED IN THE BUILDING CONSTRUCTION WHERE POSSIBLE.</li> <li>INVERT ELEVATIONS SHALL BE ESTABLISHED AND VERIFIED BEFORE WASTE PIPING IS INSTALLED IN ORDER THAT PROPER SLOPES WILL BE MAINTAINED.</li> <li>SANITARY WASTE AND VENT PIPING AND FITTINGS SHALL BE SCHEDULE 40 PVC (ASTM D 2665) WITH SCHEDULE 40 SOCKET-TYPE PIPE FITTINGS (ASTM D 331).</li> <li>SLOPE SANITARY WASTE PIPING 2 1/8" AND SMALLER AT 1/4" PER FOOT MIN. SLOPE SANITARY WASTE PIPING 3" AND LARGER AT 1/8" PER FOOT MINIMUM.</li> <li>WHERE WASTE PIPING IS EXPOSED IN REST ROOM AREAS, PROVIDE CHROME PLATED BRASS PIPING WITH MATCHING STOPS AND ESCUTCHEONS. PROVIDE REMOVABLE TRAPS WITH INTEGRAL CLEANOUT PLUG FOR ALL LAVATORIES.</li> <li>CLEANOUT PLUGS SHALL BE INSTALLED IN ACCORDANCE WITH PLUMBING CODE REQUIREMENTS. PROVIDE CLEANOUTS AT THE BASE OF ALL WASTE STACKS, AT EVERY FOUR 45 DEGREE TURNS, AND AT EVERY 100 FEET. CLEANOUTS SHALL BE PLACED IN READILY ACCESSIBLE LOCATIONS.</li> <li>PROVIDE CHROME ESCUTCHEON RINGS AT ALL EXPOSED CEILING AND WALL PENETRATIONS.</li> <li>COMPLETELY ROD AND FLUSH OUT ALL SANITARY WASTE LINES AFTER BUILDING IS COMPLETED.</li> </ol> <p><b>PIPING AND EQUIPMENT SUPPORT:</b></p> <ol style="list-style-type: none"> <li>ALL SUSPENDED MATERIALS AND EQUIPMENT SHALL BE INDIVIDUALLY SUPPORTED FROM THE BUILDING STRUCTURE PER CODE. DO NOT SUSPEND ITEMS FROM THE CEILING OR ITS SUPPORT SYSTEM.</li> </ol> <p><b>SEISMIC REQUIREMENTS:</b></p> <ol style="list-style-type: none"> <li>PROPERLY SUPPORT AND BRACE VERTICALLY AND HORIZONTALLY ALL PIPING, APPARATUS, EQUIPMENT, ETC. IN ACCORDANCE WITH APPLICABLE CODES TO PREVENT EXCESSIVE MOVEMENT DURING SEISMIC CONDITIONS.</li> </ol> <p><b>NOTE TO CONTRACTORS</b></p> <ol style="list-style-type: none"> <li>RUN ALL ELECTRICAL CONDUITS, PLUMBING PIPING SO AS NOT TO INTERFERE WITH STORE FIXTURE EQUIPMENT LAYOUTS, OR ANY OTHER FAMILY DOLLAR EQUIPMENT.</li> <li>CONTRACTORS TO ROUTE ALL CONDUITS, PLUMBING PIPING TIGHT TO STRUCTURE AND PERPENDICULAR TO WALL IN AN ORDERLY MANNER.</li> </ol>



- NOTES:**
- INSTALL WATER HEATER PER MANUFACTURER REQUIREMENTS.
  - PROVIDE HEAT TRAP ON CH AND HH LINES PER ENERGY CODE.
  - LOCATE WATER HEATER ABOVE MOP SINK WITH 6\"/>
- 1 WATER HEATER DETAIL**  
NO SCALE



- 2 MOP SINK DETAIL**  
NO SCALE



PLUMBING FIXTURE SPECIFICATIONS AND CONNECTION SCHEDULE																			
MARK	FIXTURE	TYPE	MANUFACTURER	MODEL NO.	MATERIAL	STYLE	FAUCET/VALVE				DRAIN		PIPE SIZES			MOUNTING	REMARKS		
							MANUFACT. MODEL NO.	SPOUT	HANDLES	CENTERS	TYPE	SIZE	SUPPLIES AND STOPS	WASTE/VENT	CH			HH	
P-1	WATER CLOSET	FLUSH TANK PRESSURE ASSIST	ZURN	Z560	VITREOUS CHINA	ADA ELONGATED (1.6 GPF)	-	-	-	-	-	ZURN Z800B-XL-CR-PC	3"	2"	1 1/2"	FLOOR	PROVIDE ZURN Z87655S-EL OPEN FRONT SEAT AND ZURN Z5702-CORB TOILET KIT. PROVIDE CAULKING AROUND BASE.		
P-2	LAVATORY	HALL HUNG	ZURN	Z544	VITREOUS CHINA	ADA COMPLIANT	ZURN Z86500-XL METERING (0.25 GPC)	CENTERSET	HIC PLUS BUTTONS	4"	GRID	1 1/2"	ZURN Z8004-XL-LR-PC	2"	1 1/2"	1 1/2"	HALL HUNG	MOUNT AT 48\"/>	
P-3	MOP SINK	FLOOR MOUNTED	ZURN	Z796-36	MOLDED HIGH DENSITY COMPOSITE	36\"/>													
P-4	WATER COOLER	SPLIT LEVEL	OASIS	PACSL	STAINLESS STEEL	ADA COMPLIANT	-	-	-	-	-	1 1/2"	ZURN Z8004-XL-LR-PC	2"	1 1/2"	1 1/2"	HALL	NON-REFRIGERATED. MOUNT AT 48\"/>	
HH-1	WATER HEATER	ELECTRIC	BRADFORD WHITE	RE1016	GLASS LINED	LOWBOY	-	-	-	-	-	-	-	-	SEE PLAN	SEE DETAIL	2 GAL STORAGE, 1500W, 120V, 1/2 GPM REC AT 40F RISE.		
FCO	FLOOR CLEAN-OUT	ROUND TOP	ZURN	Z-1454	CAST IRON	CAST IRON TOP	-	-	-	-	-	-	-	-	-	-	FLOOR	-	
HCO	HALL CLEAN-OUT	ROUND COVER	ZURN	Z-1446	CAST IRON	S.S. COVER	-	-	-	-	-	-	-	-	-	-	-	HALL	-
FFHB	HOSE BIBB	FREEZE PROOF	WOODFORD	MODEL B65 MODEL-B64	CAST BRASS	RECESSED BOX	-	-	-	-	-	-	-	-	-	-	1/2"	HALL	PROVIDE WITH AUTOMATIC DRAINING ANTI-SIPHON VACUUM BREAKER

**FIXTURE NOTES:**

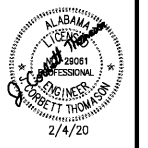
- PLUMBING FIXTURES P-1, P-2, P-3, P-4, HH-1 AND ASSOCIATED ACCESSORIES ARE BEING FURNISHED AS PART OF THE "TOILET-IN-A-BOX". FIXTURES SHALL BE INSTALLED BY CONTRACTOR. SEE ARCHITECTURAL COVER SHEET FOR "TOILET-IN-A-BOX" VENDOR INFORMATION.
- PROVIDE CAULK AROUND MOP SINK, WATER CLOSETS, AND LAVATORIES.

"TOILET-IN-A-BOX" SEE FIXTURE NOTE 1.

"TOILET-IN-A-BOX" SEE FIXTURE NOTE 1.

Order Plans

ENGINEER OF RECORD:  
J. CORBETT THOMAS, P.E.  
2100 DULWORTH RD EAST  
CHARLOTTE, NC 28203  
PH (704) 333-1020  
Corbett@CorbettEngineering.com



description	by	date	mark	revisions

revision	date	designed	checked
2020-11-11	act	act	act



project	drawing

FAMILY DOLLAR  
FAMILY DOLLAR STORE, PDS #791901  
SEMAA  
PLUMBING COVER SHEET