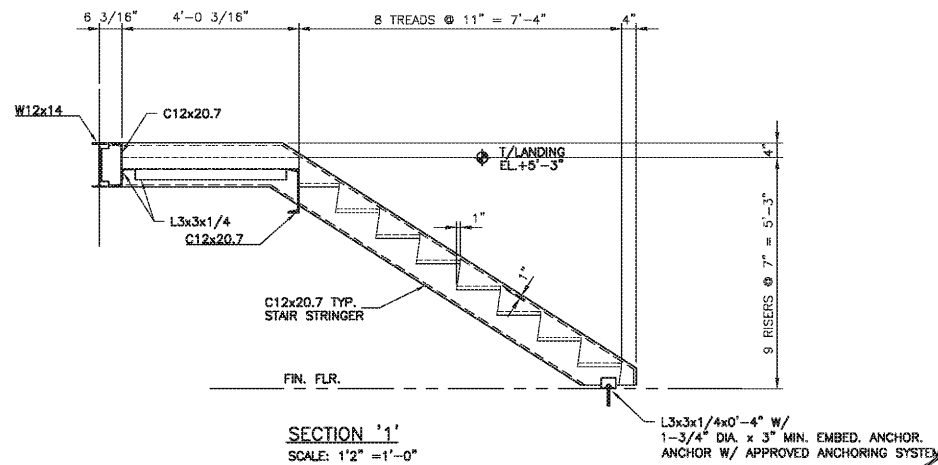
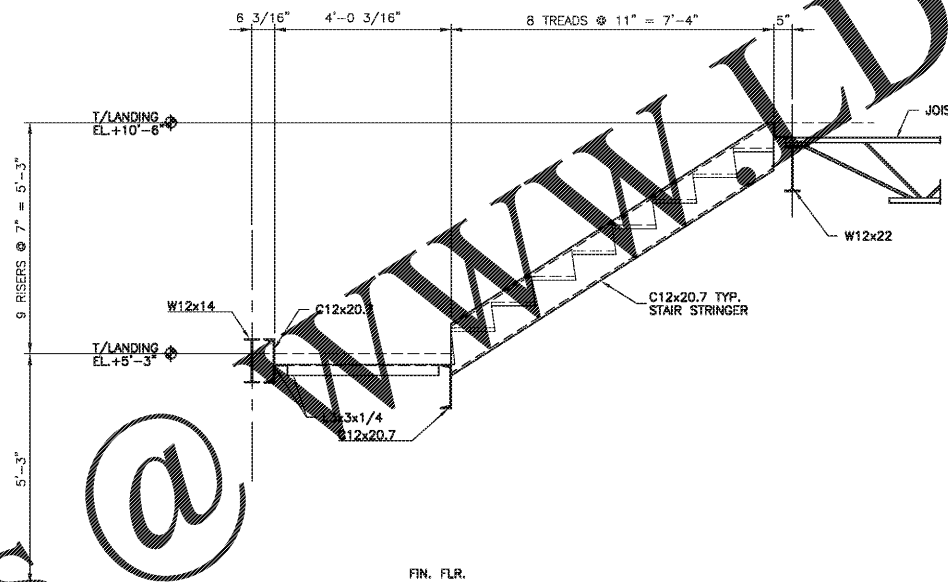


SERVICE HOUSE  
STAIR PLAN @ EL.+5'-3"  
SCALE: 1/4"=1'-0"



SECTION '1'  
SCALE: 1/2"=1'-0"



SECTION '2'  
SCALE: 1/2"=1'-0"

WWW.DILine.com

Order Plans @



**HAI AN PAGODA**  
5375 SANDERS ROAD,  
LAKE CITY, GA 30260

SERVICE HOUSE  
STAIR PLAN &  
SECTIONS

REV.	DATE	BY	DESCRIPTION
A	1/22/18	DT	PERMIT ISSUE

JOB NO. **1710037**  
DRAWN: **TB**  
CHECKED: **DT**  
SCALE: **AS NOTED**

**S401**  
DRAWING NO.