

PLUMBING PLAN

1/8" = 1'-0"

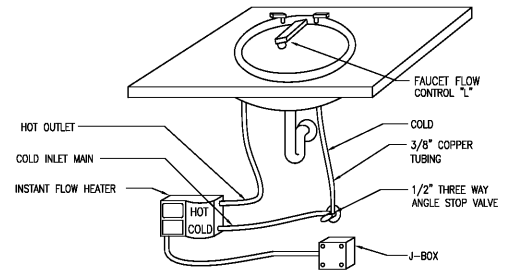
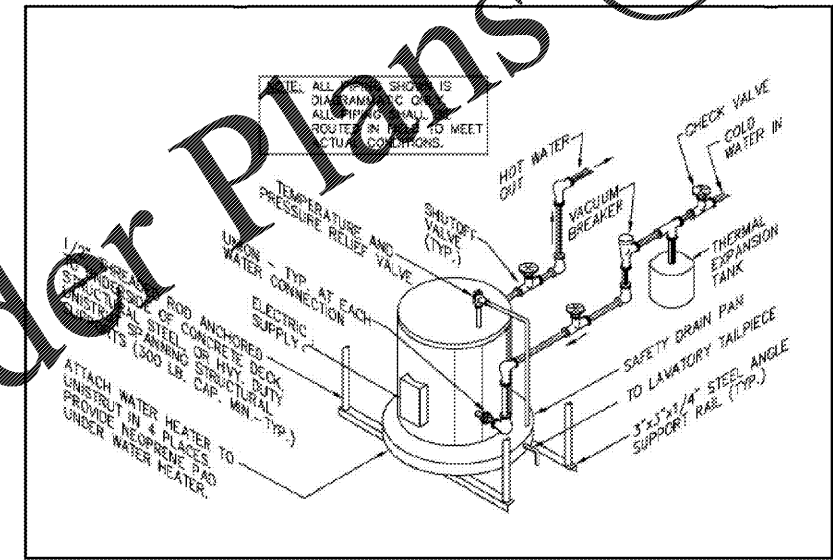
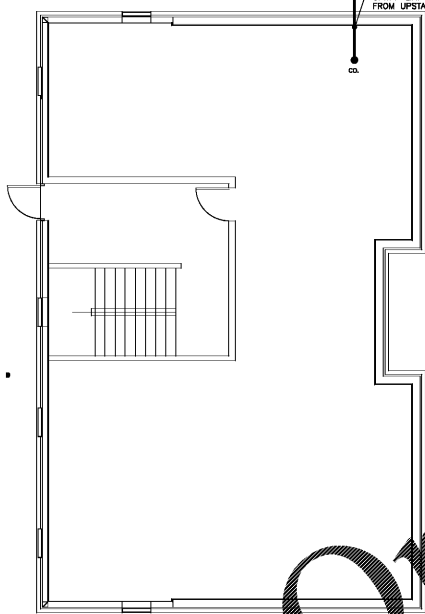
- SEWER & SANITARY LINE
- - - C.W. LINE
- HOT WATER LINE

NOTES: PIPE SIZE CALCULATION BASED ON PLUMBER'S AND PIPEFITTER'S COLD WATER & HOT WATER PIPE USE CPVC PIPE.

PLUMBING NOTES

1. The drawing are diagrammatic only and show the intent of the design. The contractor shall provide all materials and labor to install a complete and operating system. The contractor shall apply for and pay for all required permits and inspections.
2. Plumbing shall conform to the IPC 2015 and all local codes and ordinances. All natural gas piping (NP) and connections shall be installed in accordance with NGPA 54 and the special conditions specifications, if any.
3. All sanitary, waste and vent pipe shall be DWV PVC or ABS piping and fittings.
4. All hot and cold water piping and fitting above ground shall be rigid Type M pvc and piping and fittings. Below ground shall be rigid Schedule 40 All natural gas pipe and fittings shall be schedule 40 black steel and fittings shall be screwed (NPT) and banded.
5. Alternate manufacturers of plumbing fixtures, floor drains, cleanouts and grease interceptor may be used with the approval of the engineer.
6. All plumbing fixtures shall be new and shall comply with IPC 2015
7. Electrical water heater 80GAL. 12 KW.
8. All water heater shall have T&E relieve valve with discharge piped to 1'-0" above the ground outside.
9. All piping shall be hung from pipe straps as manufactured by the Grinnell Co., or equivalent, at 4' o.c. maximum. Perforated metal straps and wire shall not be used.
10. All vent for waste line to vent through roof (VTR) as noted.
11. All vent for water to vent through roof (VTR) as noted.

- MAXIMUM WATER CONSUMPTION FLOW RATES AND QUANTITIES FOR ALL PLUMBING FIXTURES SHALL BE IN ACCORDANCE WITH TABLE 604.4.
- LAVATORIES REQUIRE 0.5 GPM AERATORS OR 0.25 GPM PER METERING CYCLE.
- LAVATORIES AND ANY HAND WASHING SINKS ARE REQUIRED TO BE LIMITED TO 110 F THROUGH A TEMPERING DEVICE.
- INDIVIDUAL BACK FLOW PROTECTION REQUIRED ON ALL WATER OUTLETS TO EQUIPMENT.
- CONNECTION OF CIRCUIT VENTING MUST BE AFTER THE WET VENT.
- FLUSH HANDLES FOR WATER CLOSETS MUST BE ON THE WIDE SIDE OF THE WATER CLOSET COMPARTMENT.
- WATER CLOSETS MUST BE 1.28 GALLONS PER FLUSH CYCLE.
- INSTALL PER MANUFACTURER'S SPECIFICATIONS FOR DISCHARGE DRAIN.
- TEST RPZ AND SEND RESULTS TO THE CROSS CONNECTION CONTROL SPECIALIST AT FORSYTH CO. WATER AND SEWER DEPT.



INSTANTANEOUS WATER HEATER
NOT TO SCALE

PLUMBING FIXTURE CONNECTION SCHEDULE

SYMBOL	DESCRIPTION	MINIMUM CONNECTION SIZE				MTG. HT. FLOOR TO RIM	REMARKS
		WASTE	VENT	CW	HW		
P-1	WATER CLOSET HANDICAPPED	4"	2"	1/2"	---	17"	FLOOR MOUNTED - FLUSH TANK
P-2	WATER CLOSET	4"	2"	1/2"	---	15"	FLOOR MOUNTED - FLUSH TANK
P-3	URINAL	2"	1-1/2"	3/4"	---	---	FLOOR MOUNTED - FLUSH TANK
P-4	LAVATORY	2"	1-1/2"	1/2"	1/2"	---	WALL MOUNTED
P-5	MOP SINK	3"	2"	1/2"	1/2"	---	FLOOR MOUNTED

ELEC. WATER HEATER SCHEDULE

MARK	CAPACITY GAL.	NAT&LP INPUT KW	MODEL NUMBER
WH-1,2,3	10	3.0	RHEEM

DOMESTIC WATER HEATER SCHEDULE

UNIT	SERVICE	SOURCE	KW	RECOVERY GPH 100°F	CAPACITY GALLON	MANUFACTURER & MODEL NO.
WH-4	DOMESTIC	ELEC.	1.5	---	6	ARISTON

HAI AN PAGODA
5375 SANDERS ROAD
LAKE CITY, GA 30280



CUSTOM DESIGN & DEVELOPMENT CORPORATION

6780 RUFORD HWY.
SUITE 200
NORCROSS, GA 30071
TEL: (770)-228-8886
FAX: (770)-278-3886

PLUMBING PLAN
NOTES & SCHEDULE

REVISION	BY

DRAWN BY:
SCALE: AS NOTED
PROJECT NO:
DATE: 09/06/17
SHEET

P1
OF SHEETS