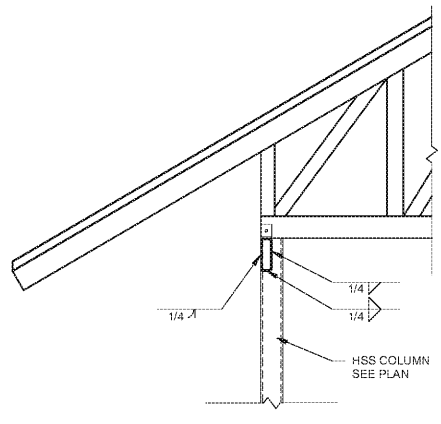
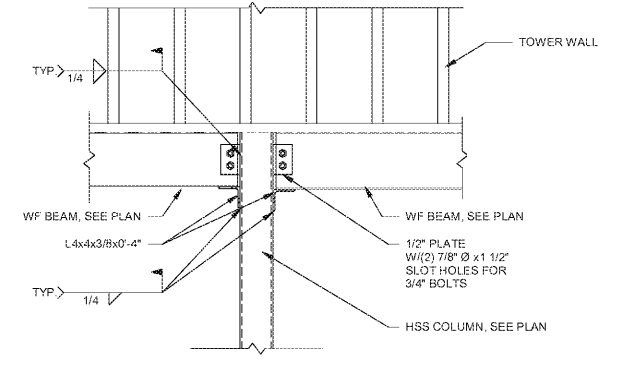


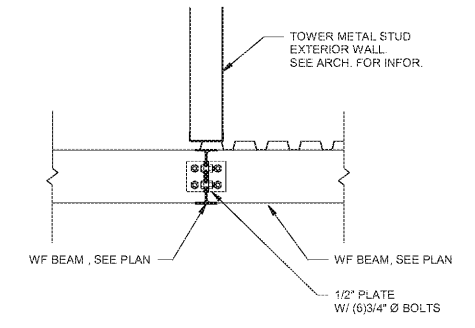
REV.	DATE	BY	DESCRIPTION
A	1/22/18	DT	PERMIT ISSUE
JOB NO. 1710037			
DRAWN: TB		CHECKED: DT	
SCALE: AS NOTED			
S512			
DRAWING NO.			



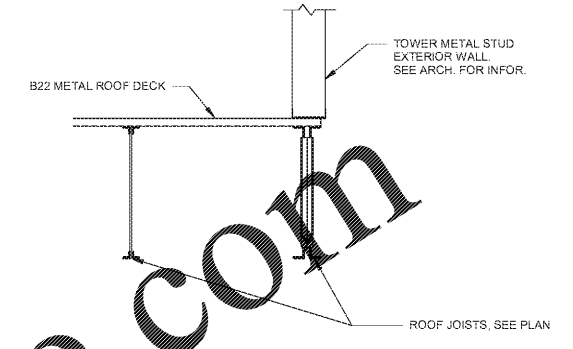
1 SECTION
S512 SCALE: 3/4" = 1'-0"



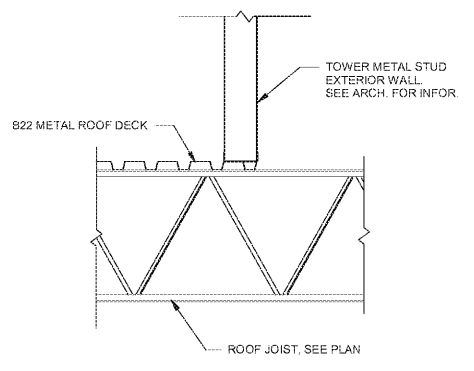
2 SECTION
S512 SCALE: 3/4" = 1'-0"



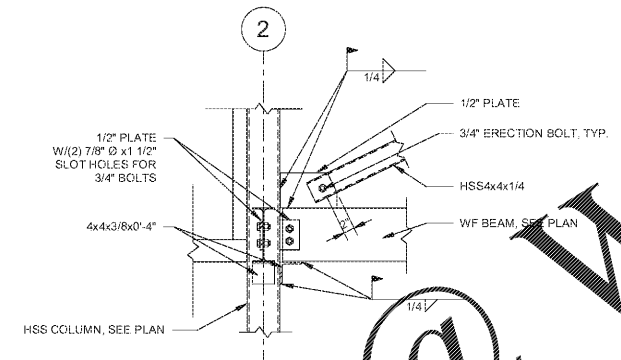
3 SECTION
S512 SCALE: 3/4" = 1'-0"



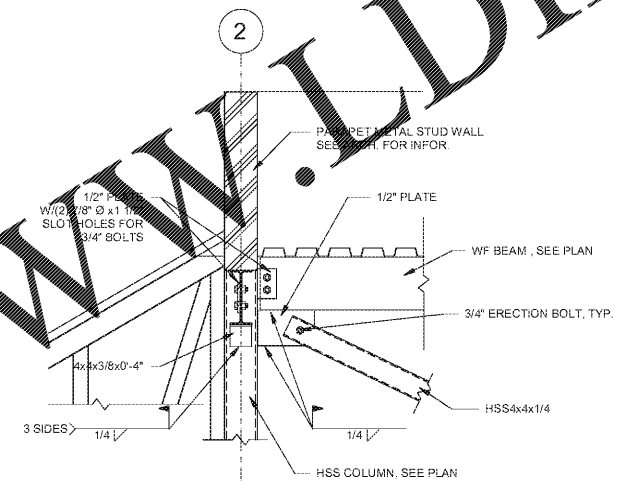
4 SECTION
S512 SCALE: 3/4" = 1'-0"



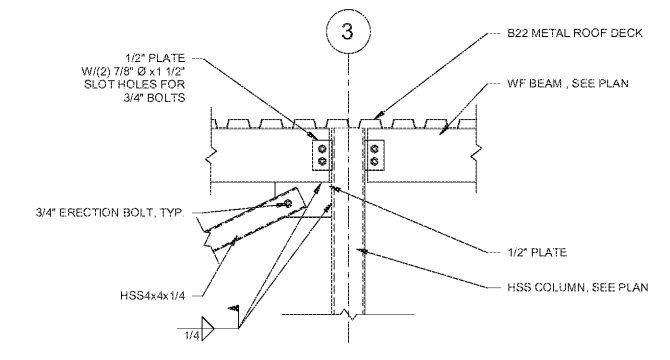
5 SECTION
S512 SCALE: 3/4" = 1'-0"



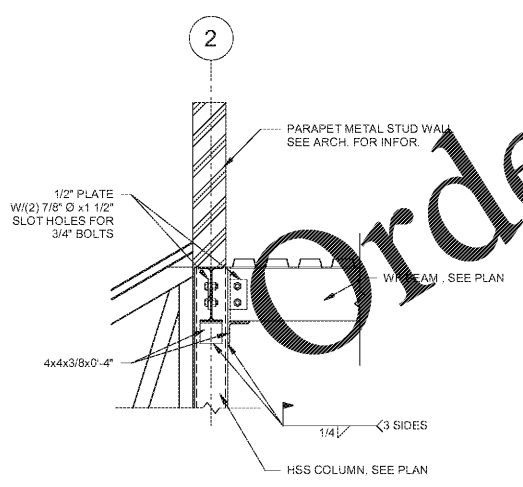
6 BRACING DETAIL
S512 SCALE: 3/4" = 1'-0"



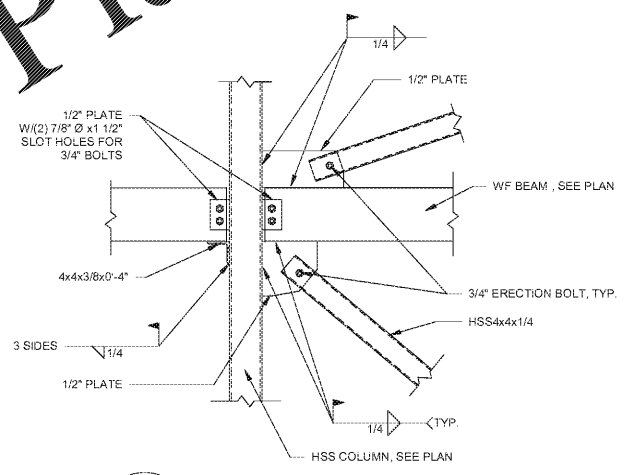
7 BRACING DETAIL
S512 SCALE: 3/4" = 1'-0"



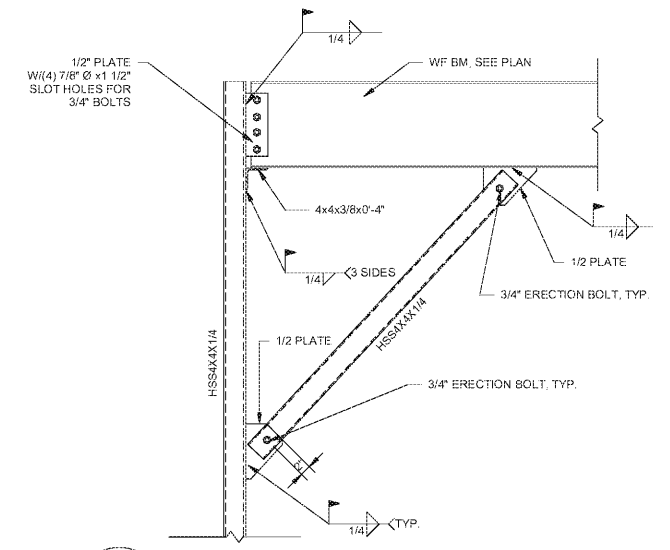
8 BRACING DETAIL
S512 SCALE: 3/4" = 1'-0"



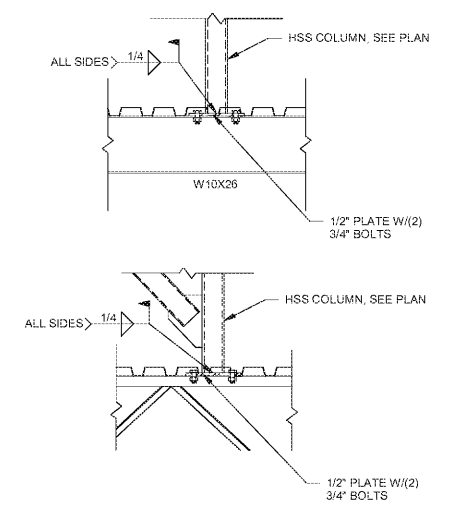
9 SECTION
S512 SCALE: 3/4" = 1'-0"



10 BRACING DETAIL
S512 SCALE: 3/4" = 1'-0"



11 KNEE BRACING DETAIL
S512 SCALE: 3/4" = 1'-0"



12 COLUMN TO BEAM DETAIL
S512 SCALE: 3/4" = 1'-0"

Order Plans @ www.WLDIline.com