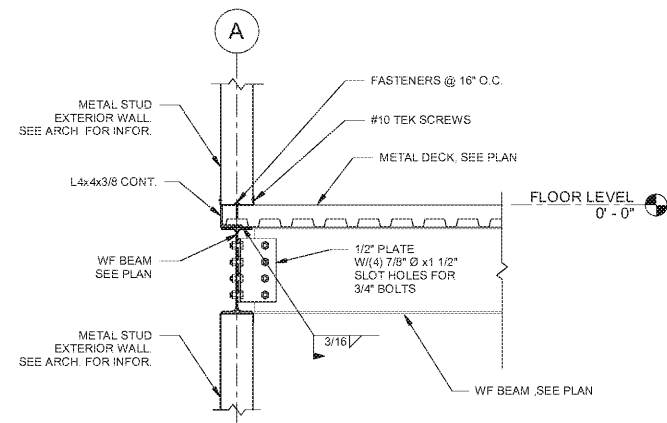
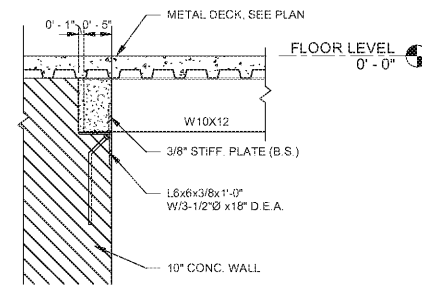


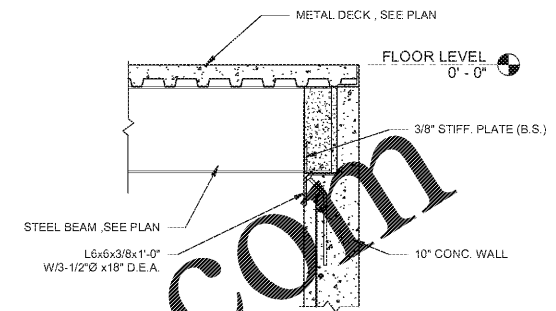
1 SECTION
S511 SCALE: 3/4" = 1'-0"



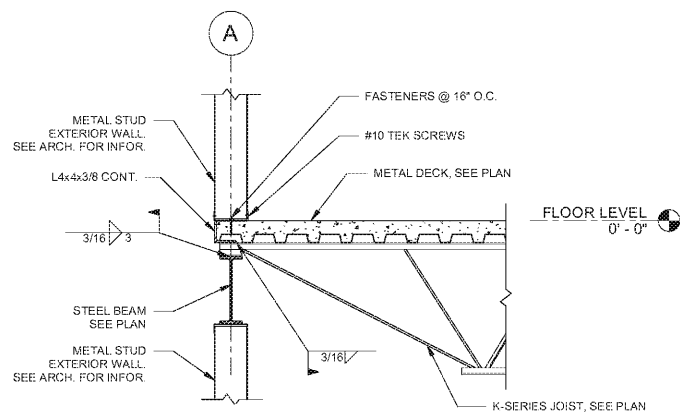
2 SECTION
S511 SCALE: 3/4" = 1'-0"



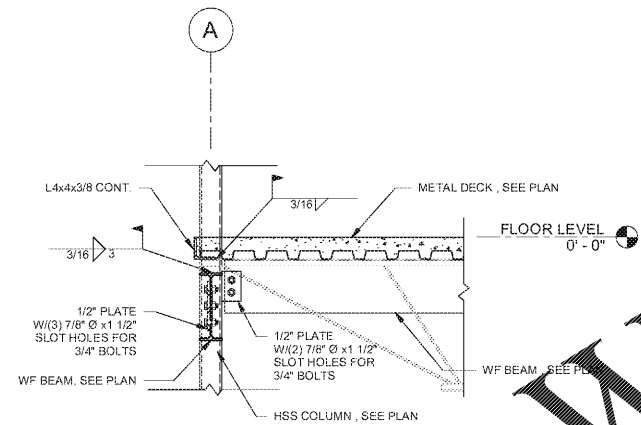
3 BEAM TO CONCRETE DETAIL
S511 SCALE: 3/4" = 1'-0"



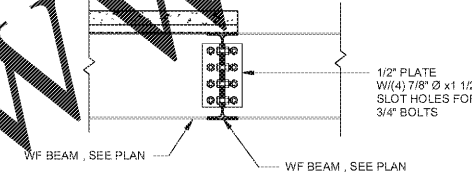
4 BEAM TO CONCRETE DETAIL
S511 SCALE: 3/4" = 1'-0"



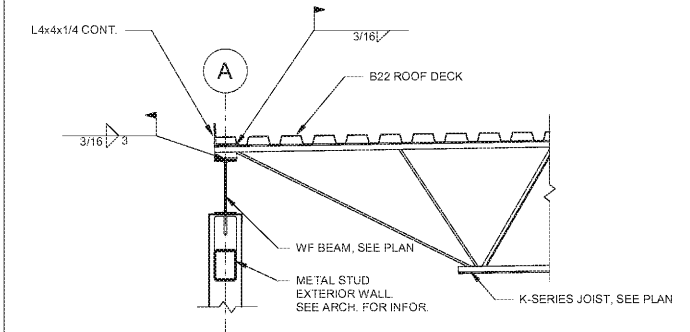
5 SECTION
S511 SCALE: 3/4" = 1'-0"



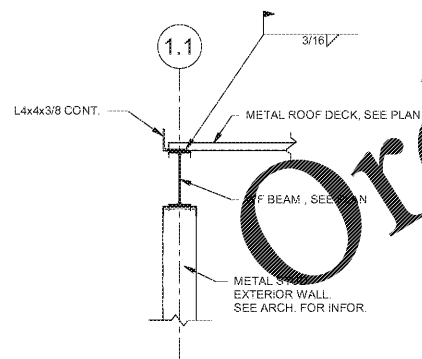
6 SECTION
S511 SCALE: 3/4" = 1'-0"



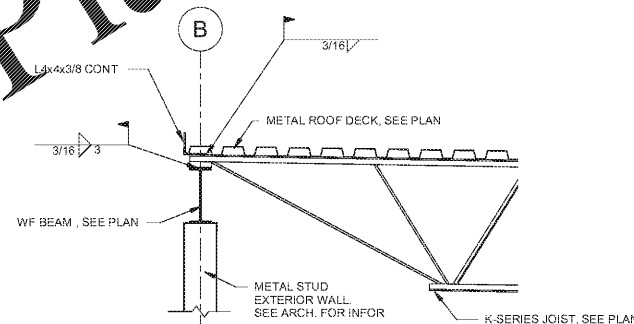
7 BEAM TO BEAM DETAIL
S511 SCALE: 3/4" = 1'-0"



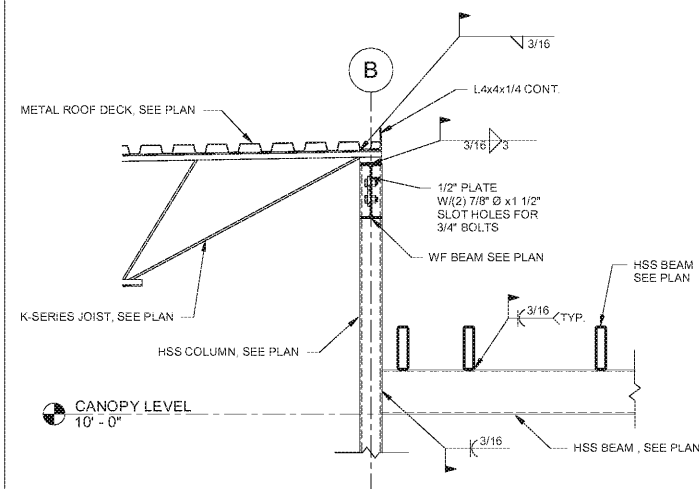
8 SECTION
S511 SCALE: 3/4" = 1'-0"



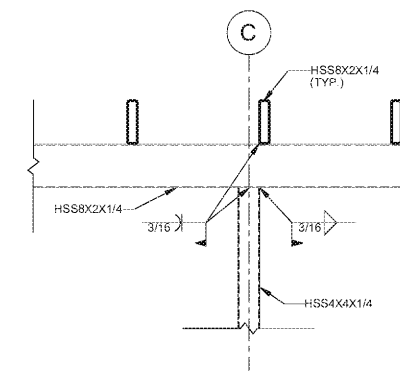
9 SECTION
S511 SCALE: 3/4" = 1'-0"



10 SECTION
S511 SCALE: 3/4" = 1'-0"



11 SECTION
S511 SCALE: 3/4" = 1'-0"



12 SECTION
S511 SCALE: 3/4" = 1'-0"

REV	DATE	BY	DESCRIPTION
A	1/22/18	DT	PERMIT ISSUE
JOB NO. 1710037			
DRAWN: TB			
CHECKED: DT			
SCALE: AS NOTED			
S511			
DRAWING NO.			