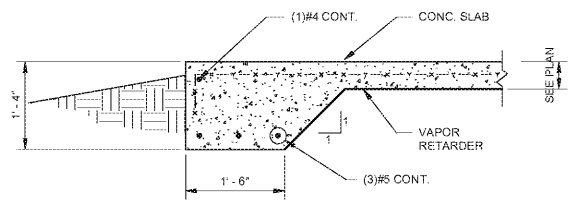


1 BASE PLATE DETAIL

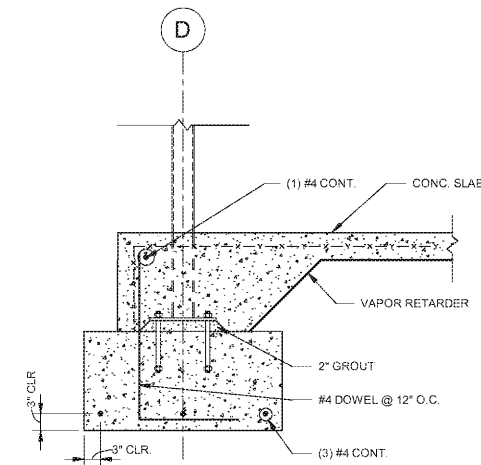
S502 SCALE: 1 1/2" = 1'-0"



NOTE:
1. SEE ARCH. DWGS. FOR CURB
SIZE AND LOCATIONS.

2 TURNDOWN DETAIL

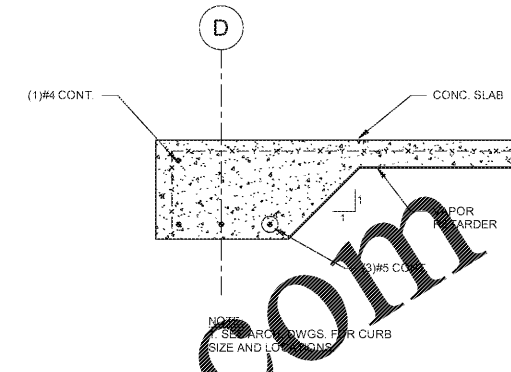
S502 SCALE: 3/4" = 1'-0"



SEE FND. PLAN & FTG. SCHED.
FOR FTG. SIZE & REINF.

3 SECTION

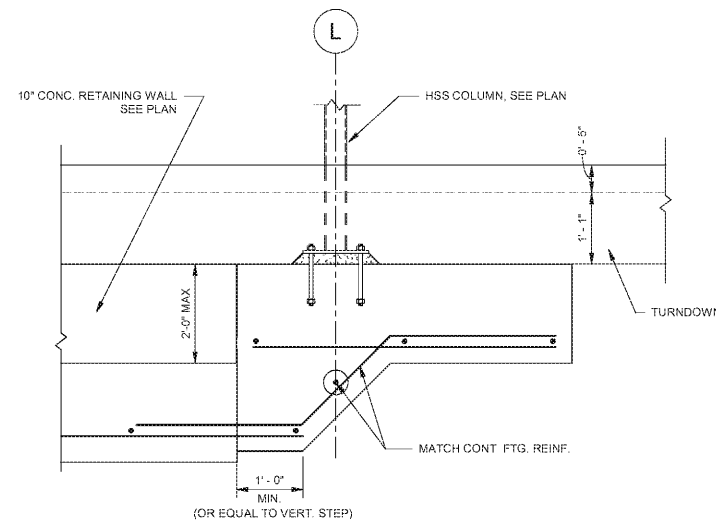
S502 SCALE: 3/4" = 1'-0"



SEE ARCH. DWGS. FOR CURB
SIZE AND LOCATIONS.

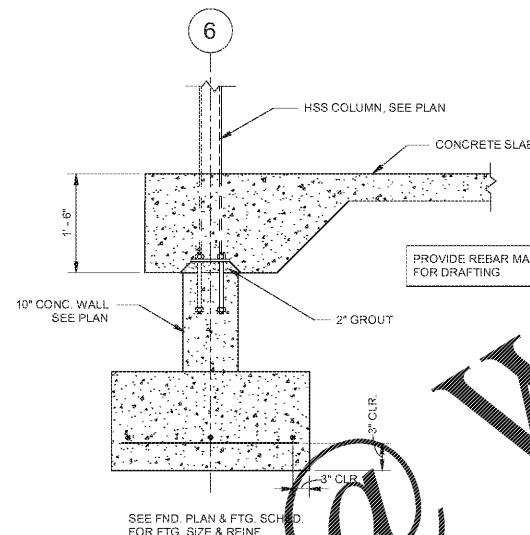
4 SECTION

S502 SCALE: 3/4" = 1'-0"



5 STEP FOOTING

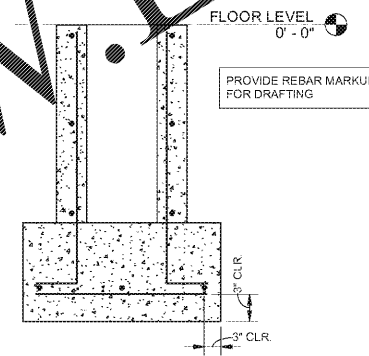
S502 SCALE: 3/4" = 1'-0"



SEE FND. PLAN & FTG. SCHED.
FOR FTG. SIZE & REINF.

6 SECTION

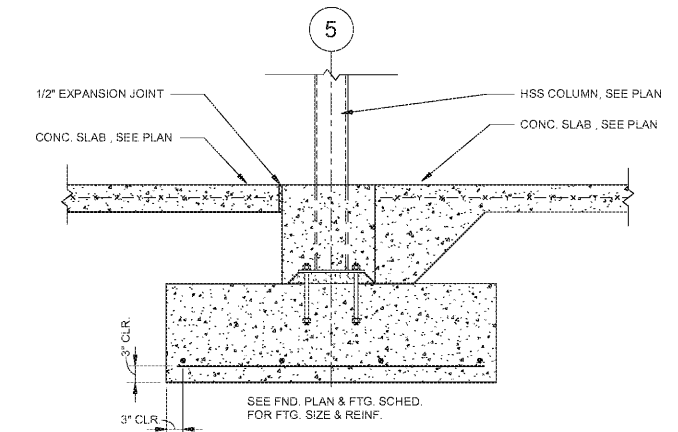
S502 SCALE: 3/4" = 1'-0"



SEE FND. PLAN & FTG. SCHED.
FOR FTG. SIZE & REINF.

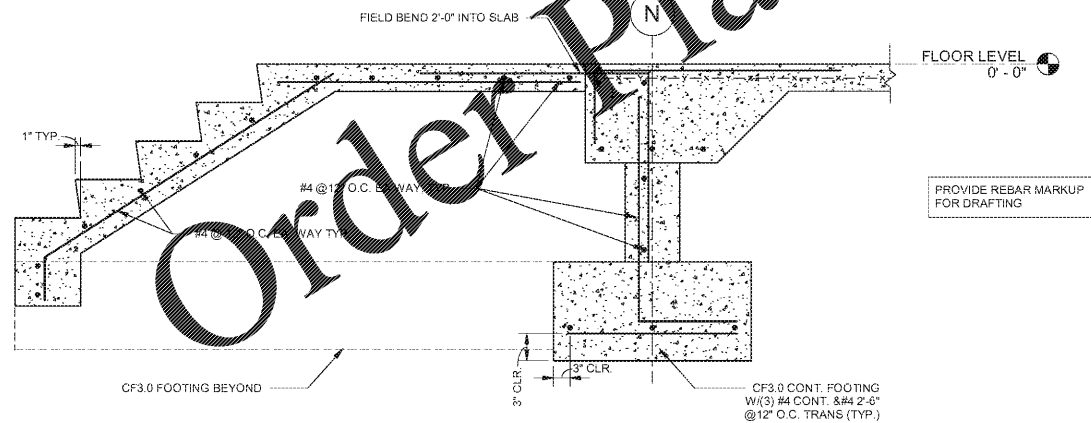
7 7-S502/WALL FOOTING DETAIL

S502 SCALE: 3/4" = 1'-0"



8 COLUMN & FTG. DETAIL

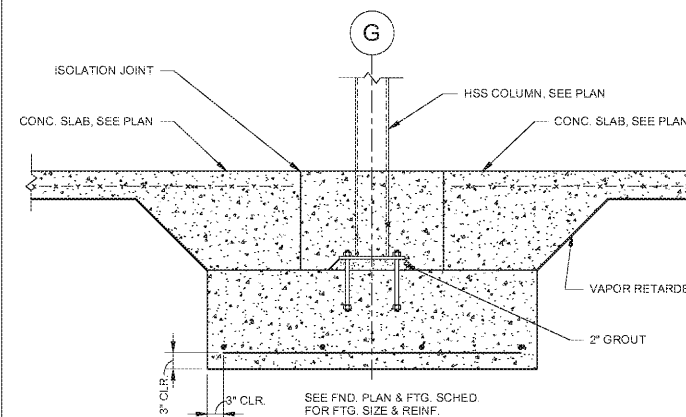
S502 SCALE: 3/4" = 1'-0"



SEE FND. PLAN & FTG. SCHED.
FOR FTG. SIZE & REINF.

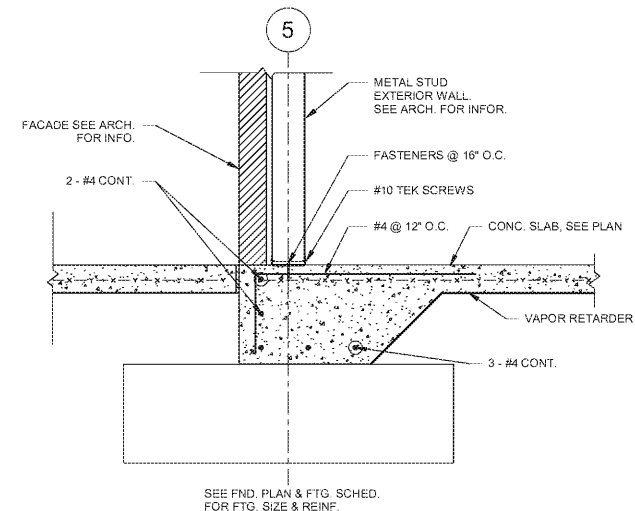
9 SECTION

S502 SCALE: 3/4" = 1'-0"



10 COLUMN & FTG. DETAIL

S502 SCALE: 3/4" = 1'-0"



11 SECTION

S502 SCALE: 3/4" = 1'-0"

REV.	DATE	BY	DESCRIPTION
B	1/22/18	DT	PERMIT ISSUE
JOB NO. 1710037			
DRAWN: TB		CHECKED: DT	
SCALE: AS NOTED			
S502			
DRAWING NO.			