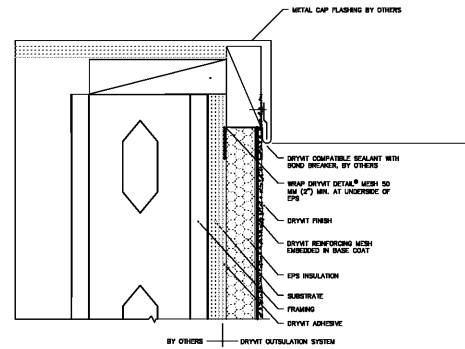
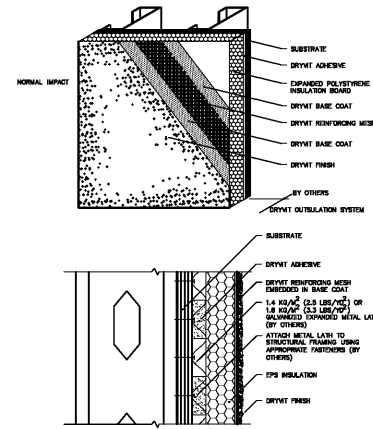


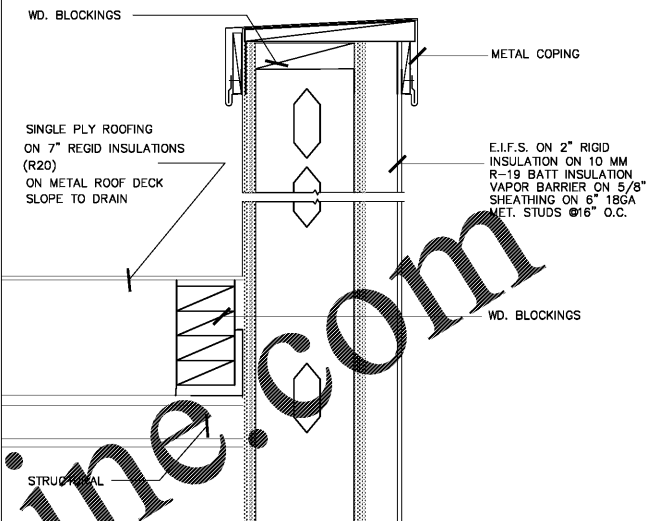
1 FACE BRICK SIDING AND E.I.F.S. SIDING  
SCALE: 1 1/2" = 1'-0"



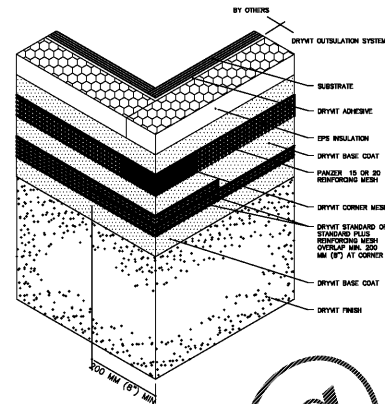
2 EIFS PARAPET-CAP FLASHING  
SCALE: NONE



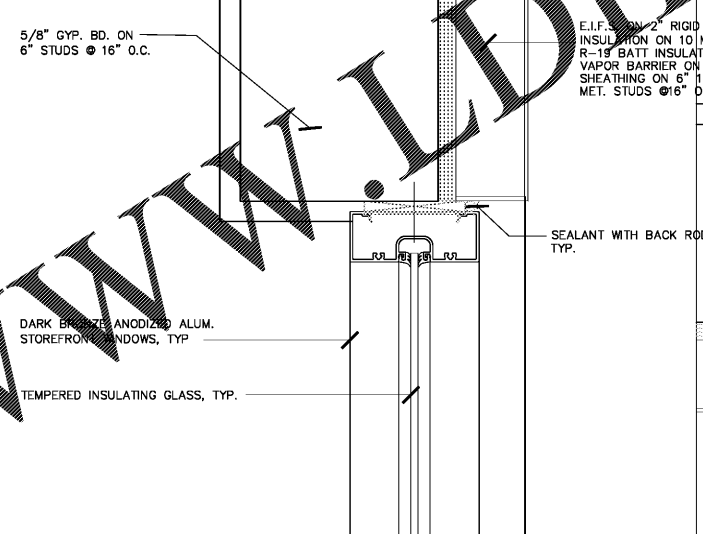
3 EIFS OUTSLULATION SYSTEM  
SCALE: NONE



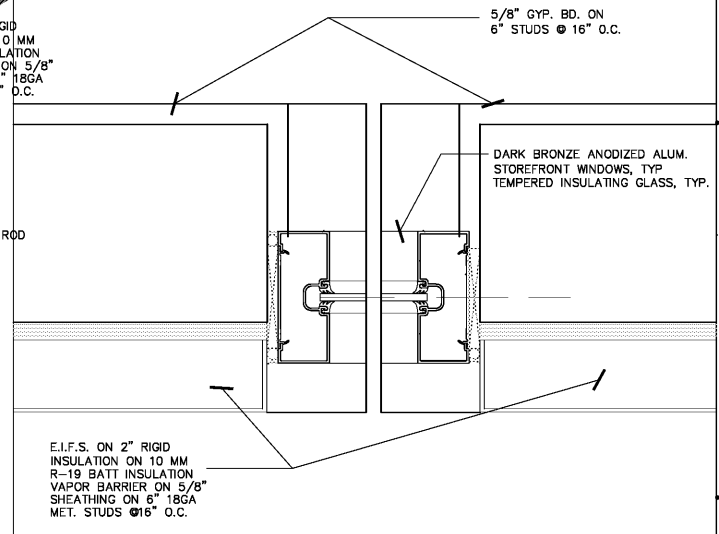
4 EIFS PARAPET-CAP FLASHING  
SCALE: NONE



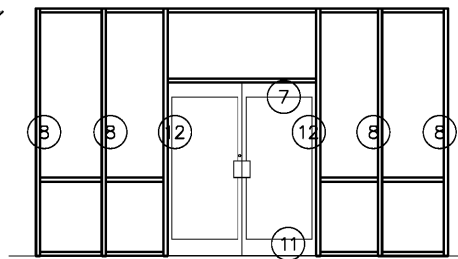
6 OUTSIDE CORNER - HIGH IMPACT  
SCALE: NONE



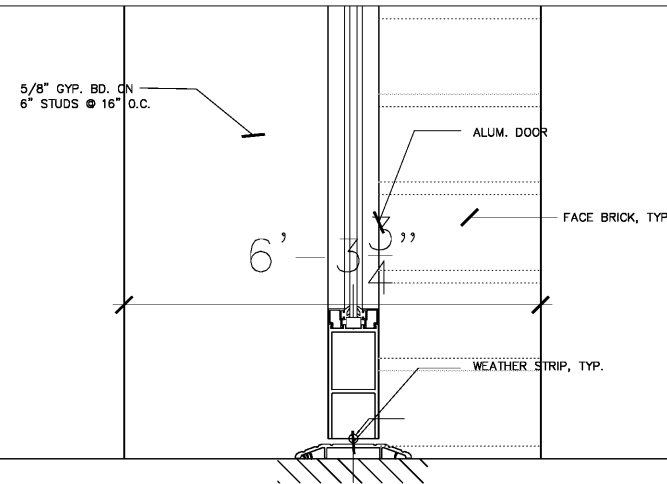
7 STOREFRONT HEAD DETAIL  
SCALE: NONE



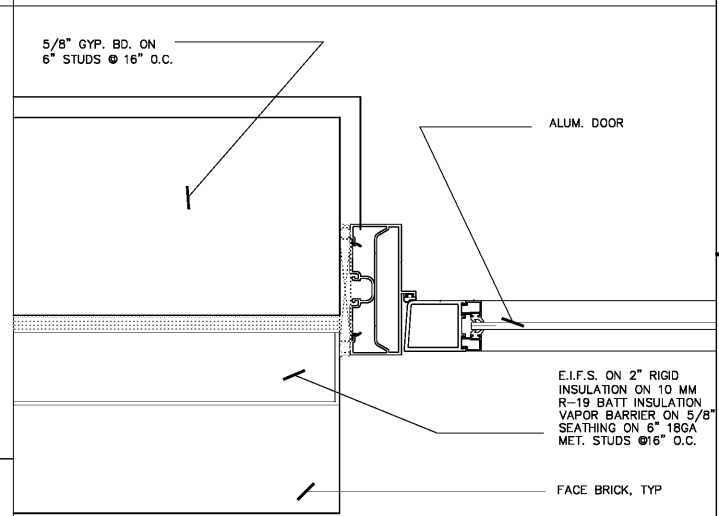
8 STOREFRONT JAMB DETAIL  
SCALE: NONE



10 STOREFRONT DETAILS  
SCALE: NONE



11 DOOR STOREFRONT SILL DETAIL  
SCALE: NONE



10 DOOR STOREFRONT JAMB DETAIL  
SCALE: NONE

Order Plans @

WWW.LDLINE.COM

HAI AN PAGODA

5375 SANDERS ROAD  
LAKE CITY, GA 30260



CUSTOM DESIGN  
&  
DEVELOPMENT  
CORPORATION

8730 BUFORD HWY.  
SUITE 305  
NORCROSS, GA 30071  
TEL: (770)-386-8885  
FAX: (770)-378-3886

BUILDING SECTION  
NOTES & SCHEDULE

REVISION	BY

DRAWN BY:  
SCALE: AS NOTED  
PROJECT NO:  
DATE: 08/26/17  
SHEET

A5-2  
OF SHEETS