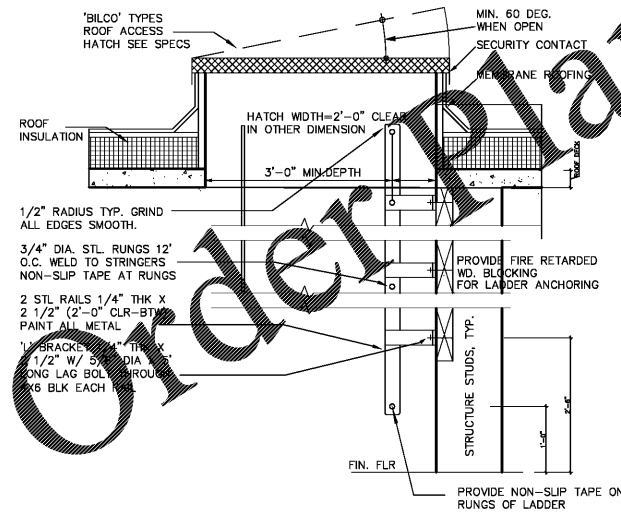
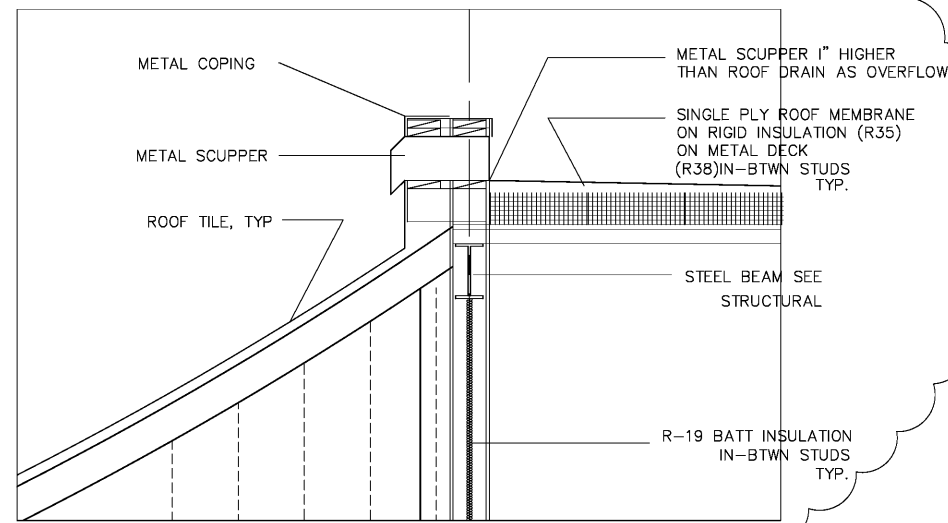


WWW.DIline.com

ROOF PLAN
1/8" = 1'-0"

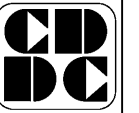


1 ROOF HATCH DETAIL
1/8" = 1'-0"



2 OVERFLOW SCUPPER DETAIL
1/8" = 1'-0"

HAI AN PAGODA
5375 SANDERS ROAD
LAKE CITY, GA 30280



CUSTOM DESIGN
&
DEVELOPMENT
CORPORATION

8780 BURNED HWY.
SUITE 200
MURCROSS, GA 30071
TEL: (770)-228-8888
FAX: (878)-278-8886

ROOF PLAN
NOTES & SCHEDULE

REVISION	BY

DRAWN BY:
SCALE: AS NOTED
PROJECT NO:
DATE: 09/14/16
SHEET

A1.3
OF SHEETS