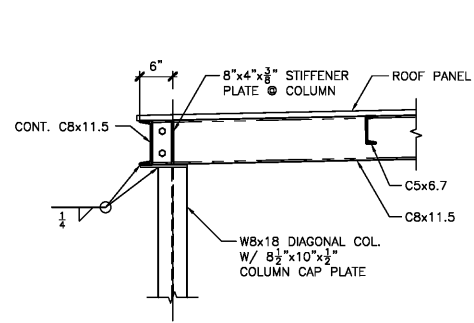
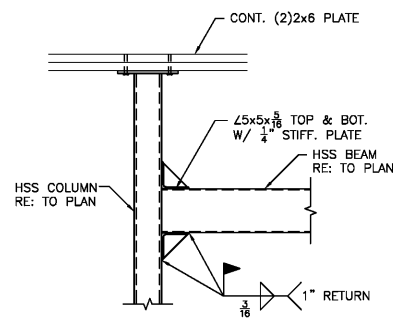


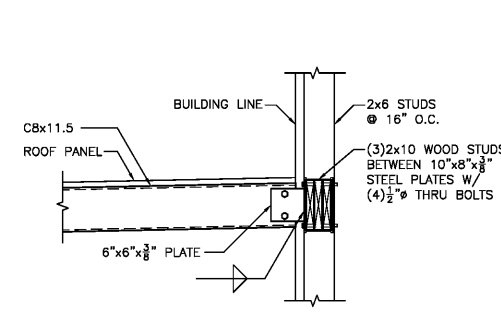
1 SECTION  
SCALE: 3/4"=1'-0"



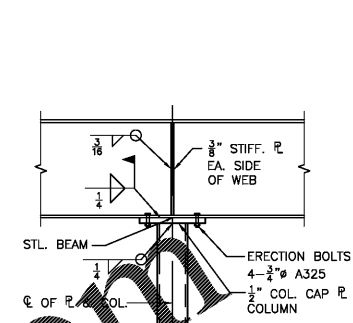
2 DETAIL  
SCALE: 3/4"=1'-0"



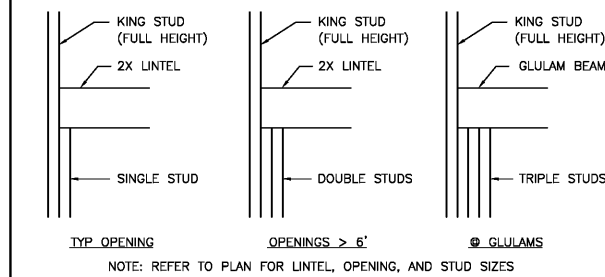
3 DETAIL  
SCALE: 3/4"=1'-0"



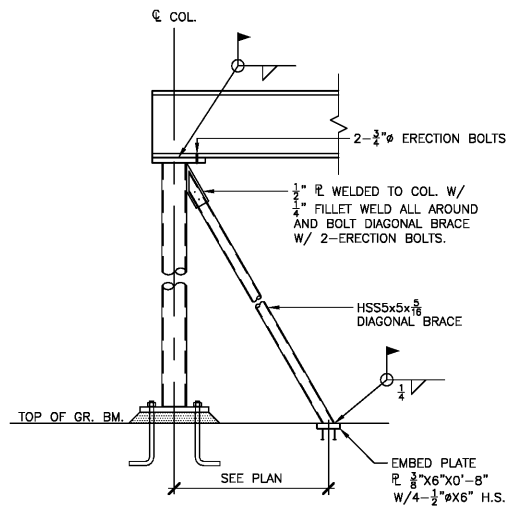
4 DETAIL  
SCALE: 3/4"=1'-0"



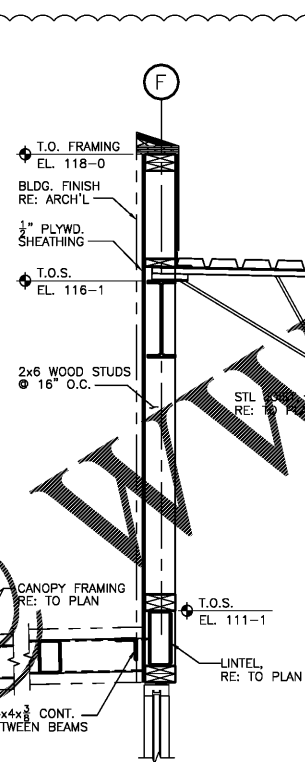
5 TYPICAL DETAIL  
SCALE: 3/4"=1'-0"



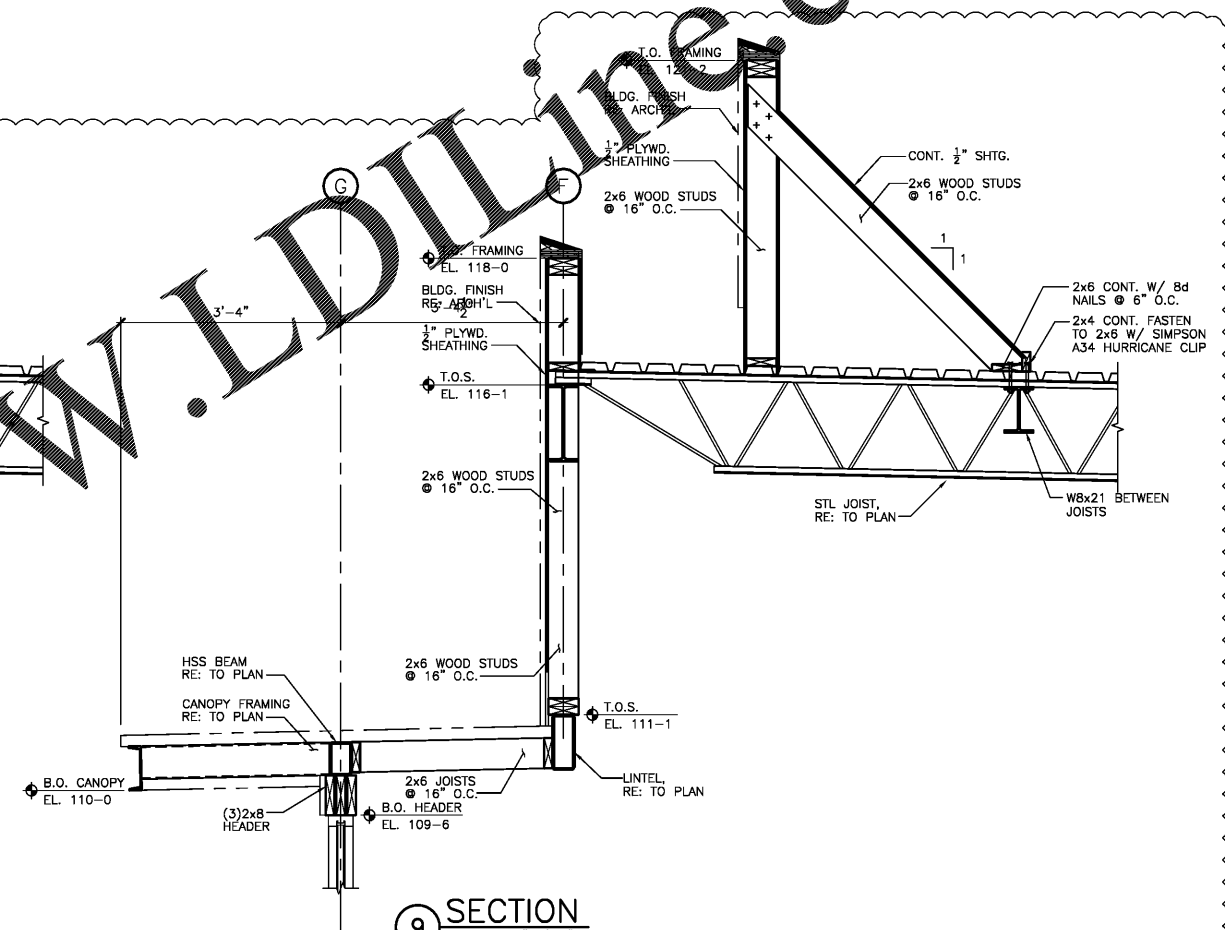
6 TYP. LINTEL SUPPORT  
SCALE 3/4"=1'-0"



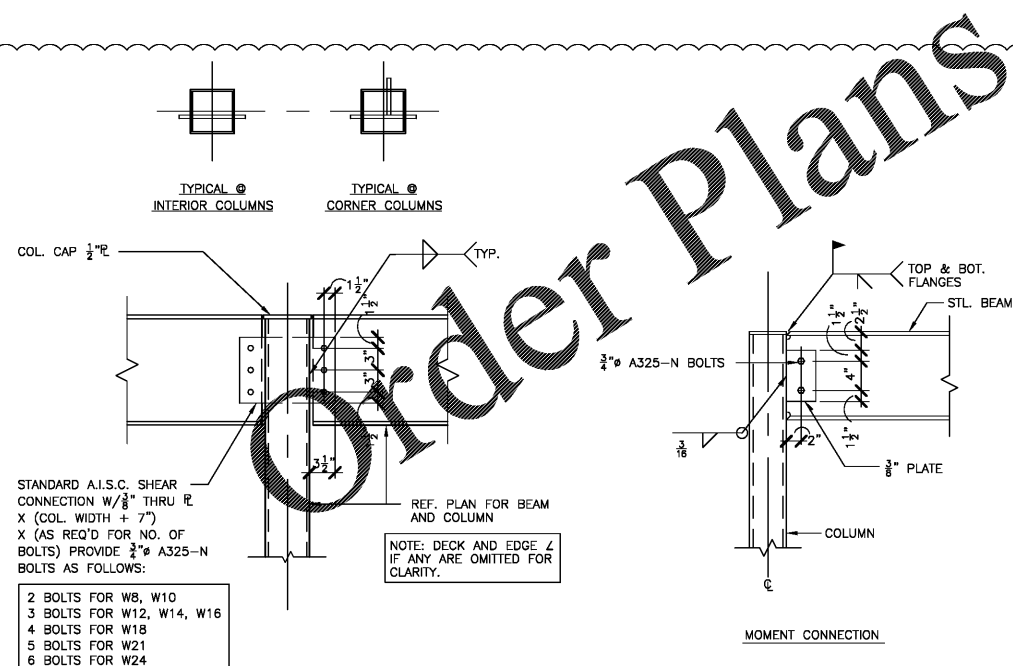
7 TYPICAL DETAIL  
SCALE: 3/4"=1'-0"



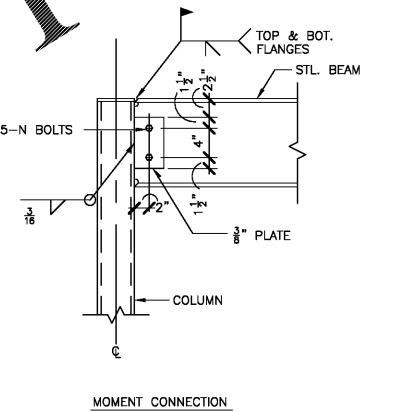
8 SECTION  
SCALE: 3/4"=1'-0"



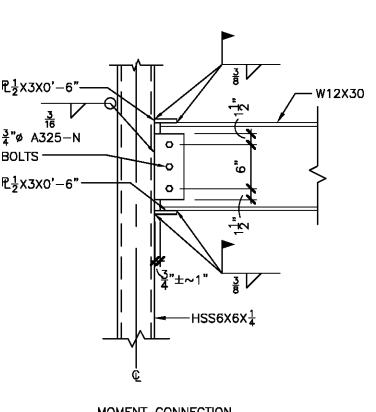
9 SECTION  
SCALE: 3/4"=1'-0"



10 TYP. DETAIL  
SCALE: 1"=1'-0"



11 TYP. DETAIL  
SCALE: 1"=1'-0"



12 TYP. DETAIL  
SCALE: 1"=1'-0"

Order Plans @ WWW.LDILLINE.COM

NO.	DATE	REVISION
1	11/11/19	TENANT REVISION
2	03/20	TENANT REVISION
3	02/20	STRUCTURAL REVISION

File Name:	S_Sheets
Project No.:	19-297
Date:	11/11/19
Drawn By:	GTS
Checked By:	TTS