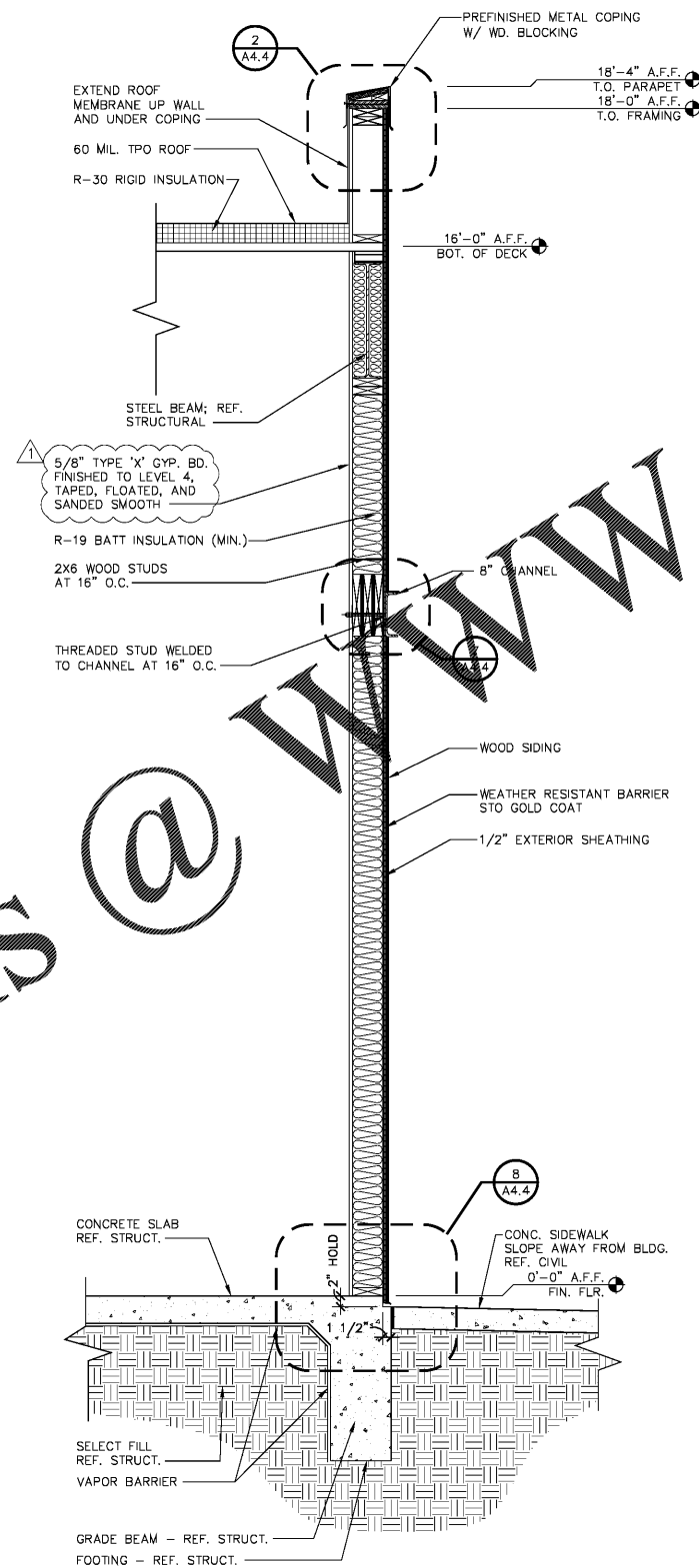
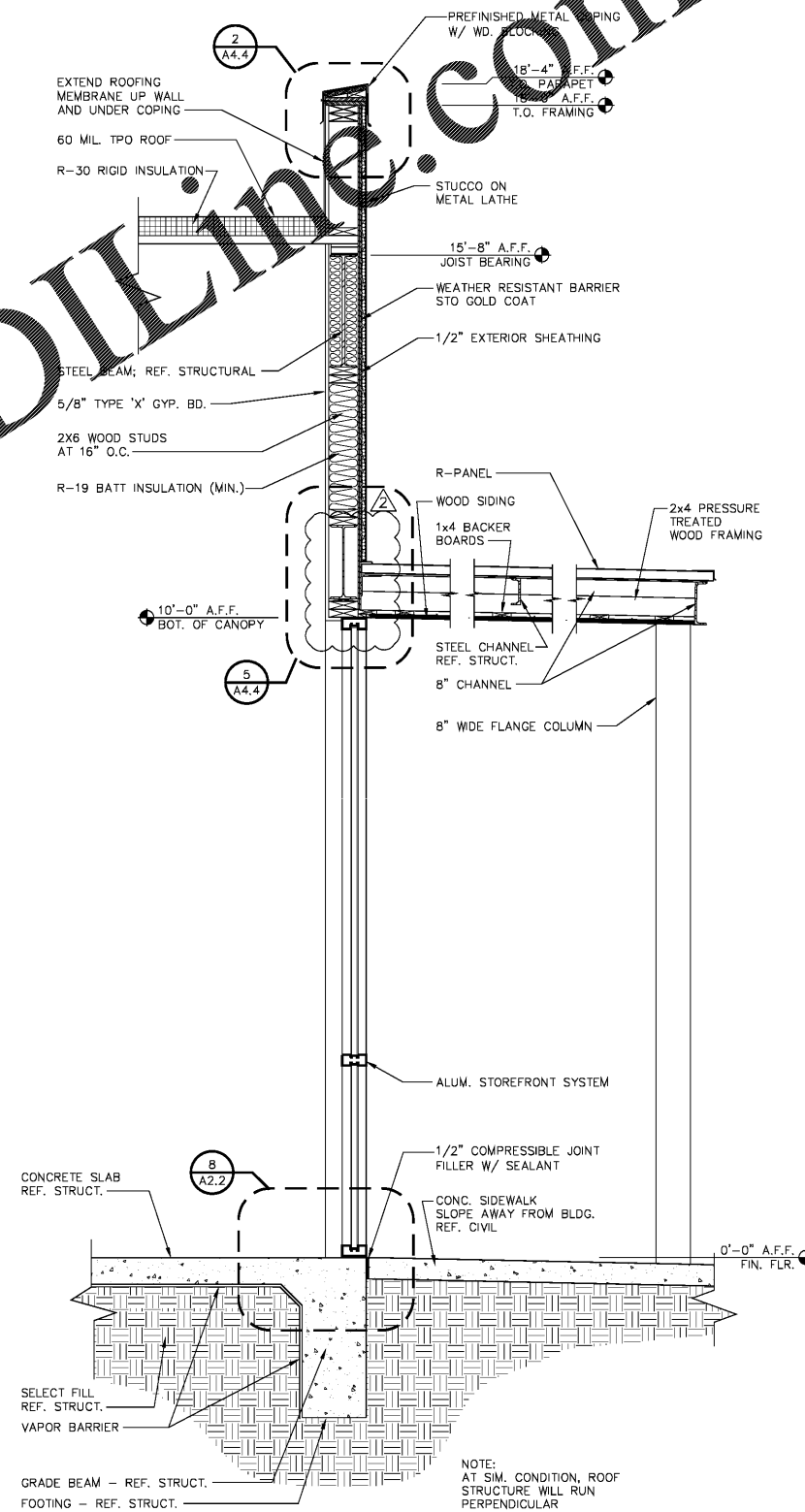


**1 WALL SECTION**  
 SCALE: 3/4" = 1'-0"



**2 WALL SECTION**  
 SCALE: 3/4" = 1'-0"



**3 WALL SECTION**  
 SCALE: 3/4" = 1'-0"

NOTE:  
 AT SIM. CONDITION, ROOF  
 STRUCTURE WILL RUN  
 PERPENDICULAR