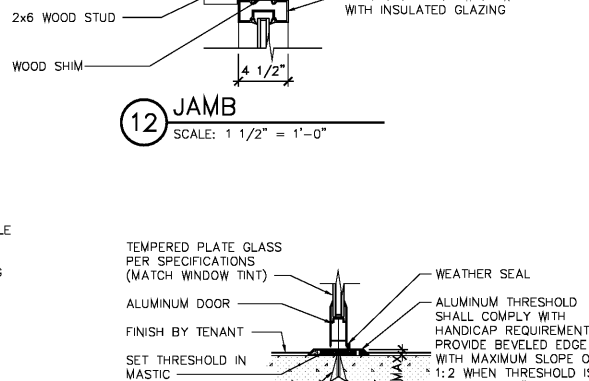
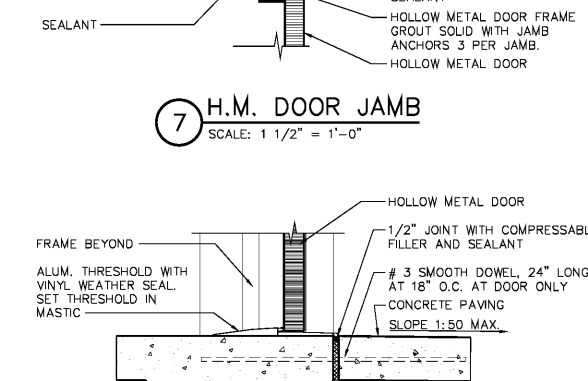
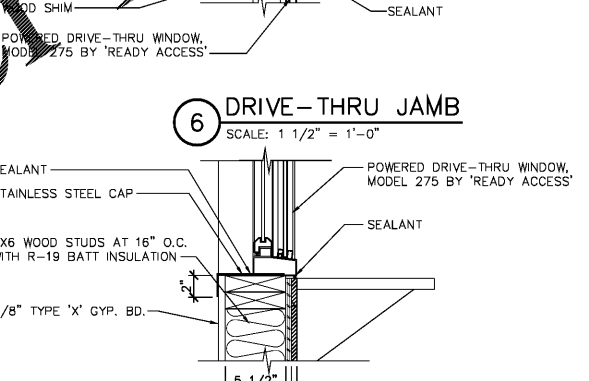
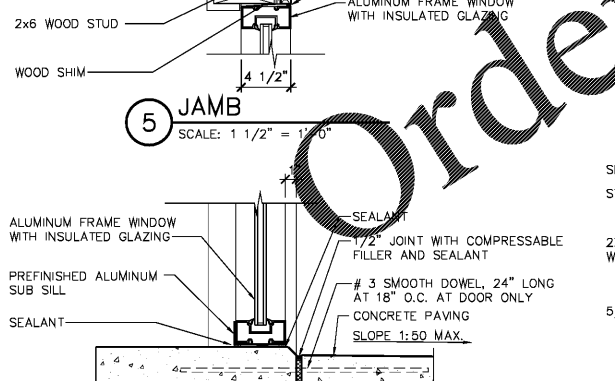
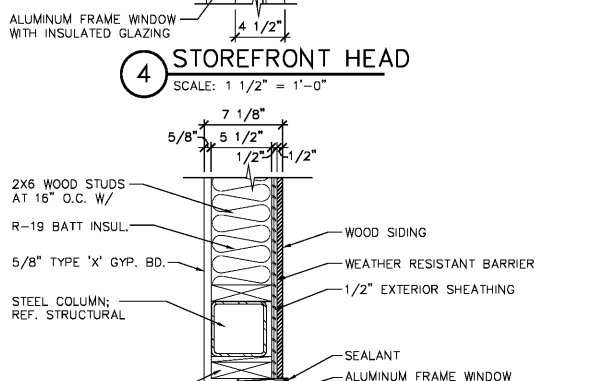
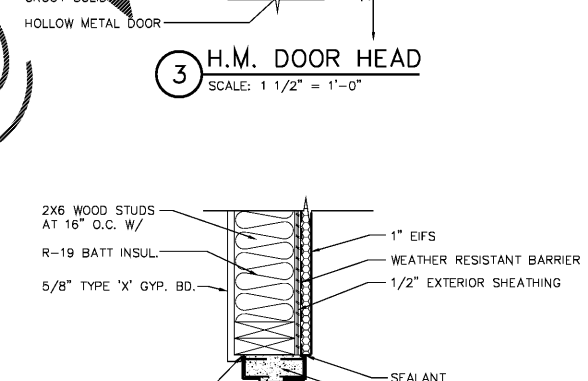
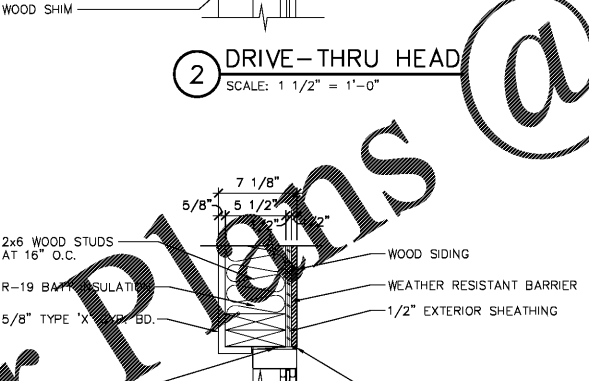
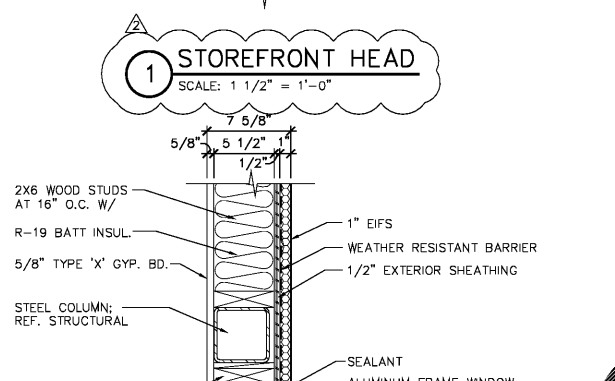
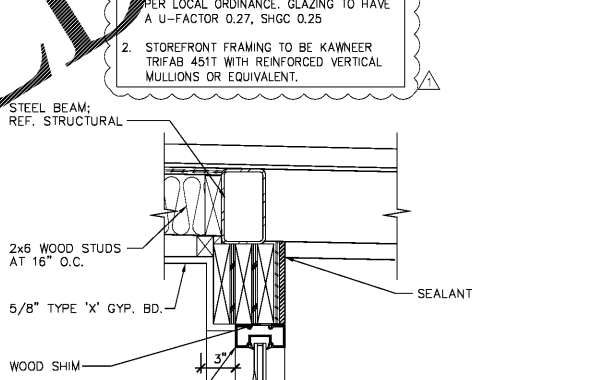
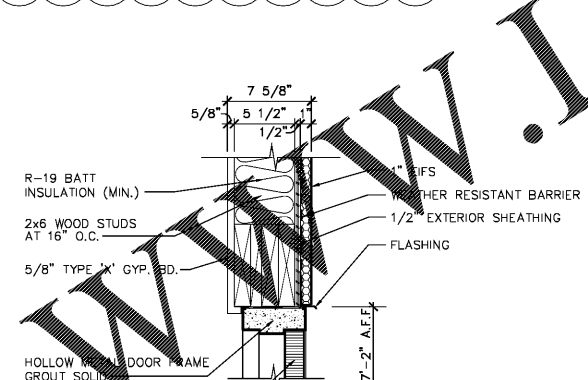
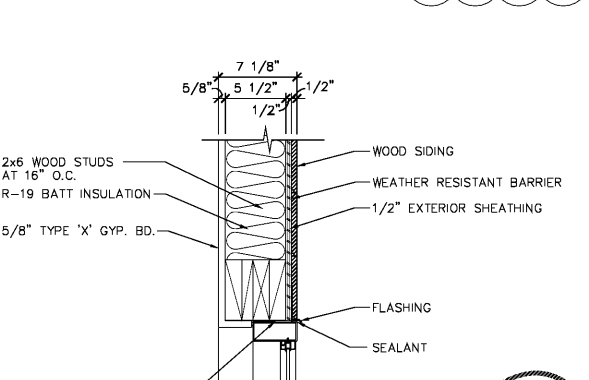
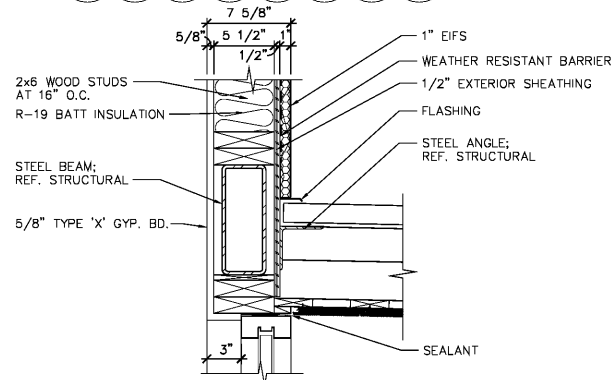
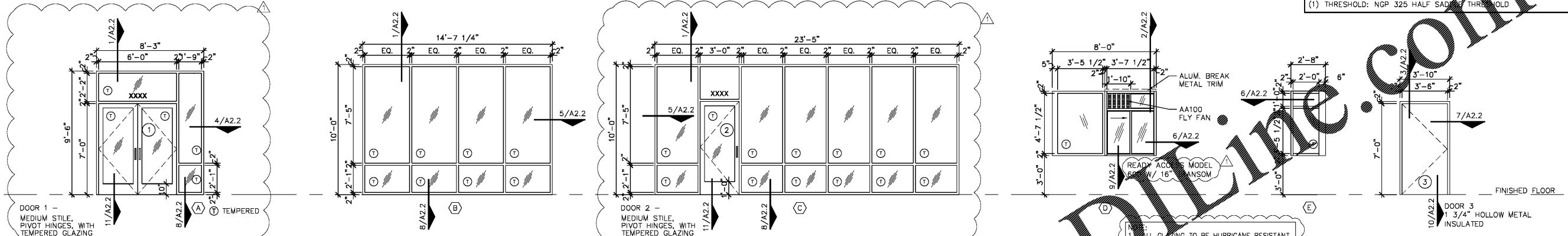


DOOR SCHEDULE									
DOOR		FRAME		FIRE RATING		HW SET		REMARKS	
MARK	SIZE (NOM.)	MAT'L	TYPE	MAT'L					
1	3'-0" x 7'-0" (PAIR)	ALUM		ALUM			H-1		
2	3'-0" x 7'-0"	ALUM		ALUM			H-1		
3	3'-6" x 7'-0"	HM		HM			H-2		

DOOR HARDWARE LEGEND			
G.C. SHALL INSURE THAT ALL HARDWARE CONFORMS APPLICABLE ACCESSIBILITY STANDARDS			
FURN. BY	INST. BY	FURN. BY	INST. BY
H-1 [FRONT, SIDE ENTRY/EXIT DOORS]			
(3) DOOR HINGES: MCKINNEY TH2314/MPB91, 630 FINISH	GC	GC	
(1) PANIC DEVICE: VON DUPRIN CD35A-NL-OP, 630 FINISH	GC	GC	
(2) CORE: FALCON C607 7-PIN CORE COMB "A" KEYWAY, 626 FINISH	GC	GC	
(1) SECURING DEVICES: FALCON KB609-2 CUT CONTROL "A" KEYWAY	GC	GC	
(9) SECURING DEVICES: FALCON KB632-2 CUT USER KEY "A" KEYWAY	GC	GC	
(1) SECURING DEVICES: FALCON C953 7-PIN RIM CYLINDER HOUSING, 626 FINISH	GC	GC	
(1) SECURING DEVICES: FALCON C987 7-PIN MORTISE CYLINDER HOUSING W/AR CAM, 626 FINISH	GC	GC	
(1) SECURING DEVICES: FALCON A08794-003 ADJ. RING, MORTISE CYL. 516-13/32, 626 FINISH	GC	GC	
(1) OPERATING TRIM: ROCKWOOD 108 DOOR PULL HANDLE, 630 FINISH	GC	GC	
(1) CLOSING DEVICES: DORMA 8916 DOOR CLOSER 8916 AFB9P, 689 FINISH	GC	GC	
(1) STOPS AND HOLDERS: ROCKWOOD 473 DOOR STOP W/ HOOK, 626 FINISH	GC	GC	
(1) THRESHOLD: NPG 325 HALF SADDLE THRESHOLD	GC	GC	
H-2 [BACK EXIT DOOR]			
NOTE: NO EXTERIOR EXPOSED HARDWARE IS ALLOWED			
(3) DOOR HINGES: MCKINNEY TH2314/MPB91, 630 FINISH	GC	GC	
(1) CORE: FALCON C607 7-PIN CORE COMB "A" KEYWAY 626 FINISH	GC	GC	
(1) DOOR LOCK: SUR-LOCK 1/0 2000L-03IC AUTO LOCKING DOOR ALARM, IC; NO CTR INCLUDES MORTISE CYLINDER	GC	GC	
(1) DOOR CLOSER: DORMA 8916 AFB9P, 689 FINISH	GC	GC	
(1) KICK PLATE: ROCKWOOD K1050 B4E 10X40, 630 FINISH	GC	GC	
(1) RAIN DRIP: NPG 16A RAIN DRIP 46", MILL FINISH	GC	GC	
(1) DOOR SWEEP 42": NPG C607A, MILL FINISH	GC	GC	
(1) WEATHER STRIP 17": NPG 137NA17, MILL FINISH	GC	GC	
(1) DOOR SPY: SECURITY PRODUCTS DS-6, SILVER FINISH	GC	GC	
(1) DOOR BELL: NUTONE MCV309WHGL	GC	GC	
(1) STOPS AND HOLDERS: ROCKWOOD 473 DOOR STOP W/ HOOK, 626	GC	GC	
(1) THRESHOLD: NPG 325 HALF SADDLE THRESHOLD	GC	GC	

### WINDOW AND DOOR TYPES



Order Plans @



**John Franz Architect**  
ARCHITECTURE, INTERIOR ARCHITECTURE, PLANNING (817) 373-8678  
405 INTERNATIONAL PLAZA, SUITE 100 FORT WORTH, TEXAS 76109

**SHELL BUILDING**  
1855 CEDAR CREEK ROAD  
FAYETTEVILLE, NORTH CAROLINA 28312

Revisions:  
REVISION 1 / 10-23-19 / BY MNK  
STARBUCKS COMMENTS  
REVISION 2 / 01-14-20 / BY MNK  
CONTRACTOR COMMENTS

File Name: 19086\_A2.2  
Project No: 19086  
Date: 10/10/19  
Drawn By: MNK  
Checked By: JWF

SHEET  
**A2.2**  
DOOR & WINDOW DETAILS