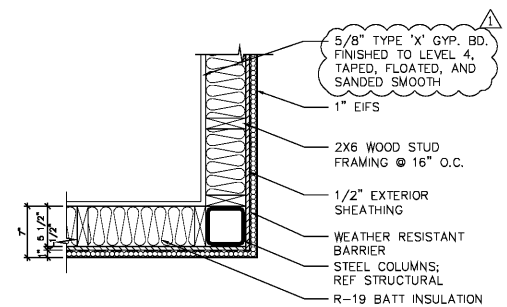
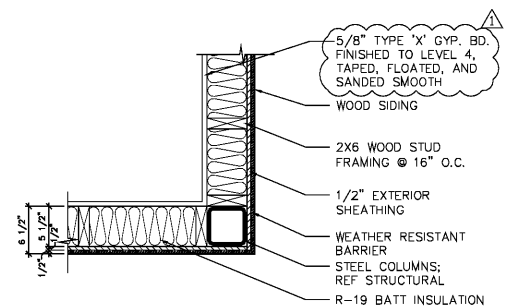


1 FLOOR PLAN
 SCALE: 1/4" = 1'-0"



2 WALL DETAIL
 SCALE: 1 1/2" = 1'-0"



3 WALL DETAIL
 SCALE: 1 1/2" = 1'-0"

Order Plans @ www.LDILine.com