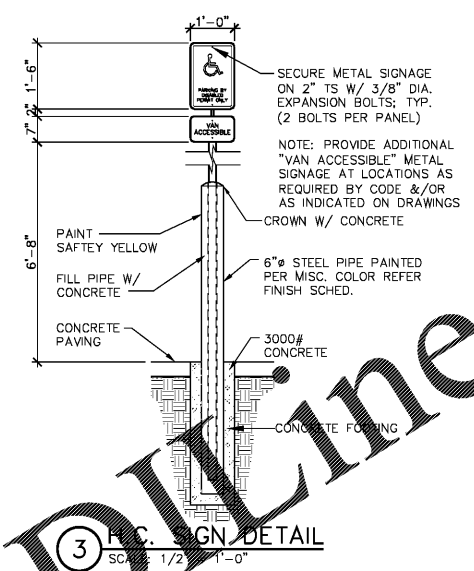
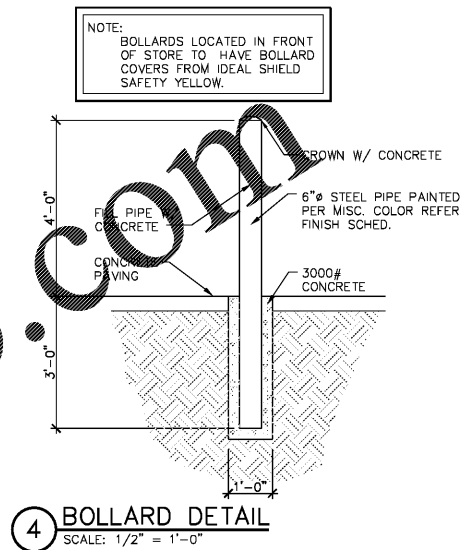


2 TRASH ENCLOSURE ELEV.
 SCALE: 1/4" = 1'-0"

TRASH ENCLOSURE DOOR		
QTY.	DESCRIPTION	NUMBER - FINISH
4	RICHARD WILCOX: HINGE	1035.00271 24" - BLK
2	RICHARD WILCOX: CANE BOLT	0524.00021 - BLK
2	LAWRENCE BROS PULL	CD1210S - BLK
1	LAWRENCE BROS HASP	CD1919S-6"
1	PADLOCK	C955-2 FIC - 606
1	CYLINDER CORE	(hardware number to be determined)

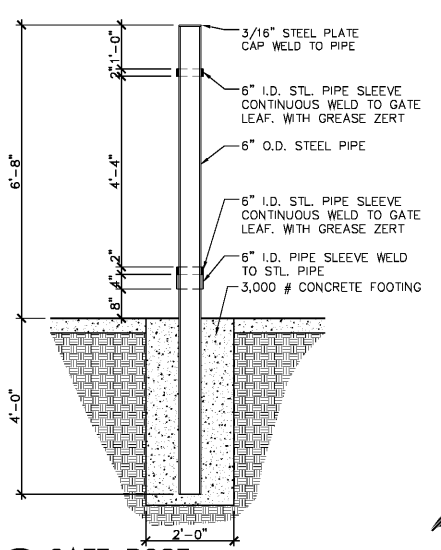


3 H.C. SIGN DETAIL
 SCALE: 1/2" = 1'-0"

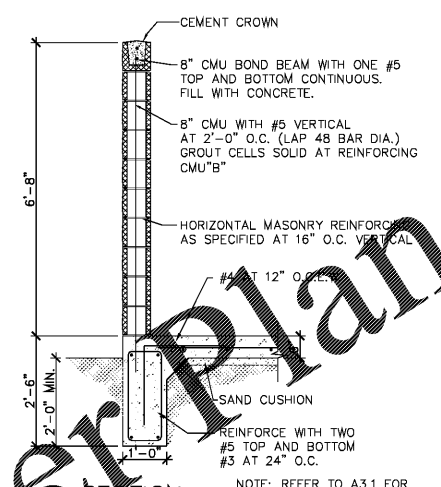


4 BOLLARD DETAIL
 SCALE: 1/2" = 1'-0"

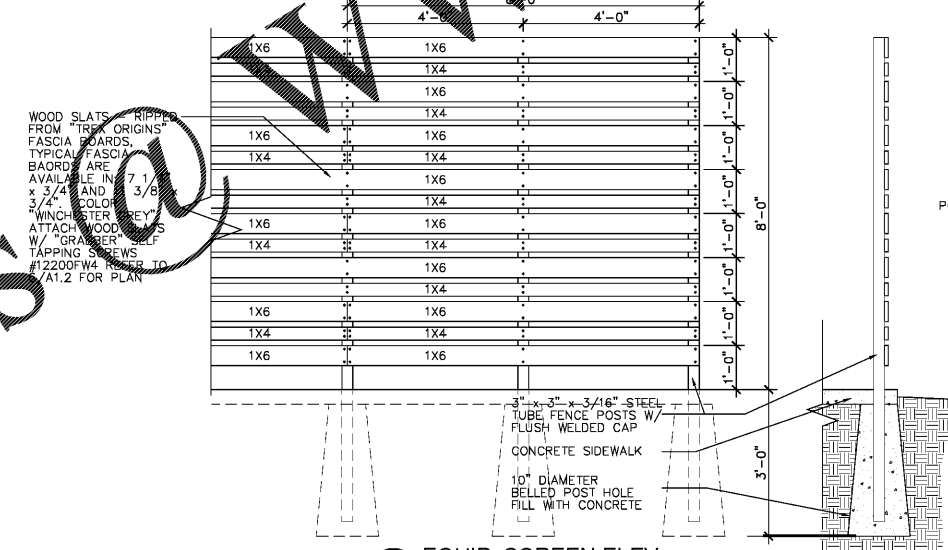
1 TRASH ENCLOSURE PLAN
 SCALE: 1/4" = 1'-0"



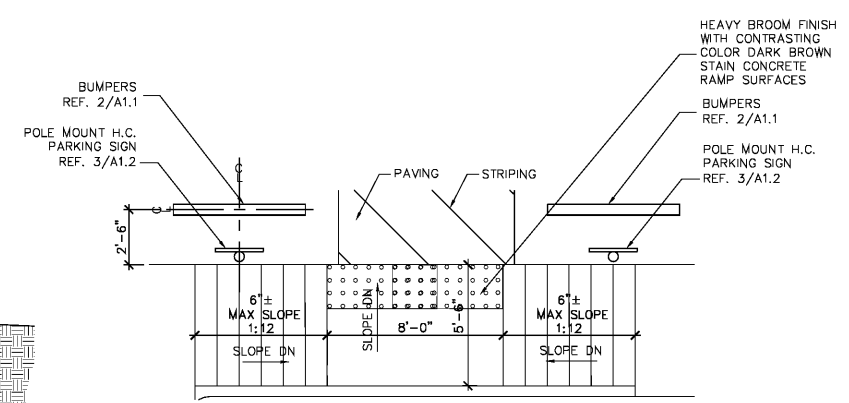
5 GATE POST
 SCALE: 1/2" = 1'-0"



6 SECTION
 SCALE: 1/2" = 1'-0"



7 EQUIP. SCREEN ELEV.
 SCALE: 1/2" = 1'-0"



8 ACCESSIBLE RAMP
 SCALE: 1/4" = 1'-0"

Order Plans

WWW.LDLINE.COM