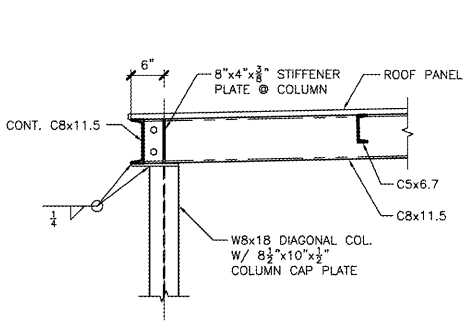
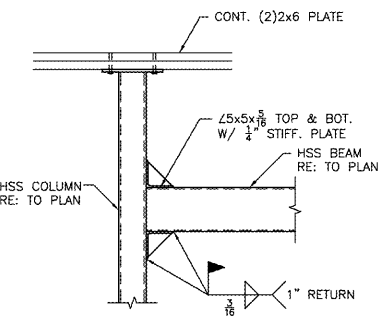


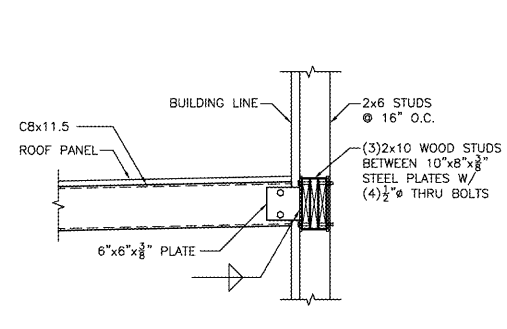
1 SECTION  
SCALE: 3/4"=1'-0"



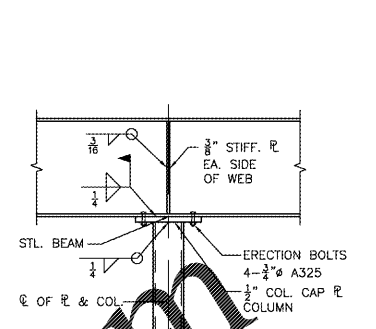
2 DETAIL  
SCALE: 3/4"=1'-0"



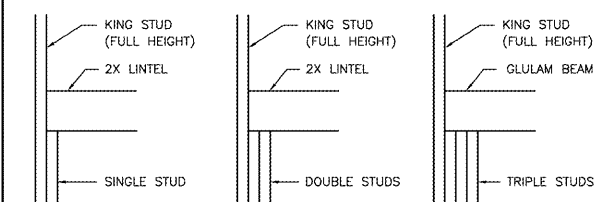
3 DETAIL  
SCALE: 3/4"=1'-0"



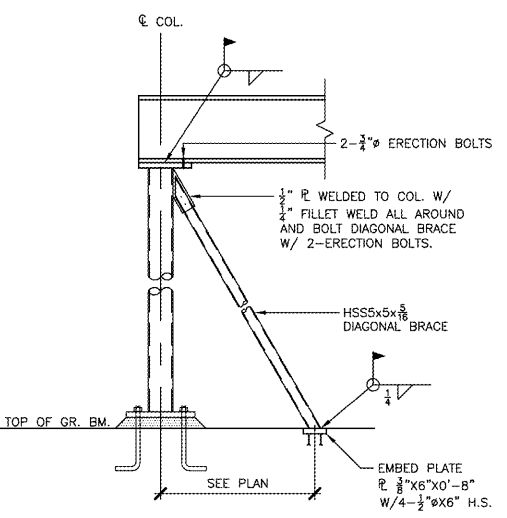
4 DETAIL  
SCALE: 3/4"=1'-0"



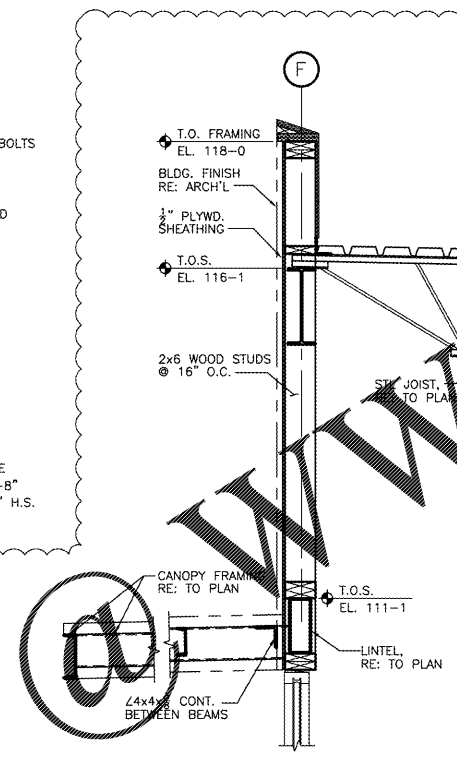
5 TYPICAL DETAIL  
SCALE: 3/4"=1'-0"



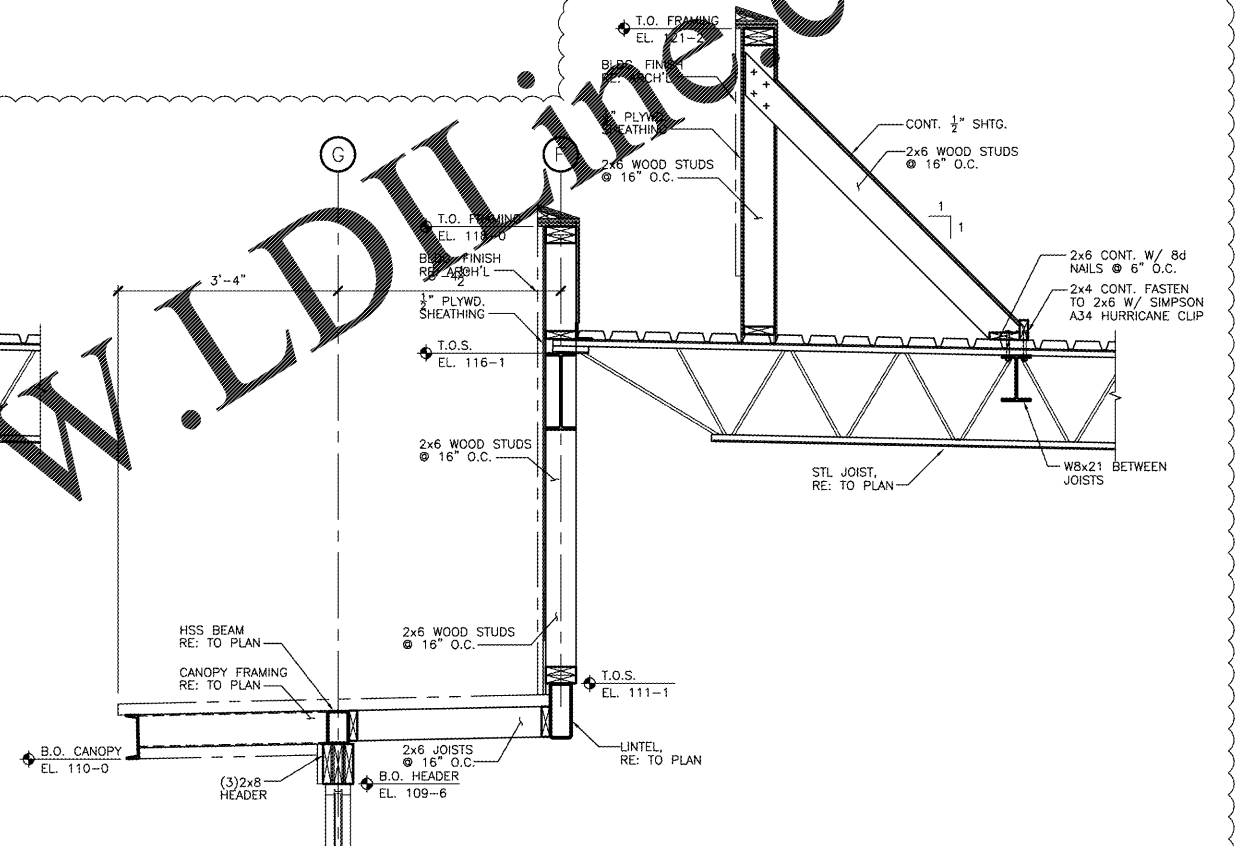
6 TYP. LINTEL SUPPORT  
SCALE: 3/4"=1'-0"



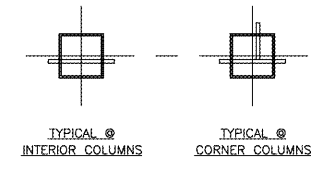
7 TYPICAL DETAIL  
SCALE: 3/4"=1'-0"



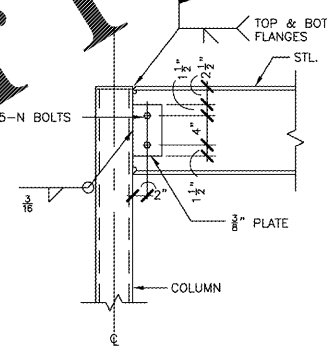
8 SECTION  
SCALE: 3/4"=1'-0"



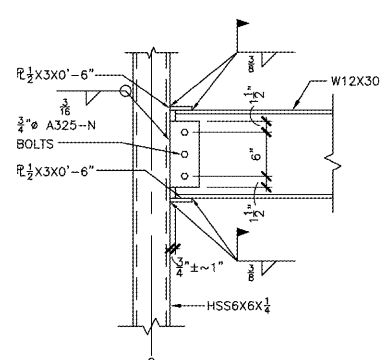
9 SECTION  
SCALE: 3/4"=1'-0"



8 TYP. DETAIL  
SCALE: 1"=1'-0"



9 TYP. DETAIL  
SCALE: 1"=1'-0"



10 TYP. DETAIL  
SCALE: 1"=1'-0"

- 2 BOLTS FOR WB, W10
- 3 BOLTS FOR W12, W14, W16
- 4 BOLTS FOR W18
- 5 BOLTS FOR W21
- 6 BOLTS FOR W24

NOTE: DECK AND EDGE L IF ANY ARE OMITTED FOR CLARITY.

**THE SADLER GROUP**  
STRUCTURAL ENGINEERS  
500 Main St., Suite 700 - Fort Worth, Texas 76102  
PHONE (817) 332-1074  
FAX (817) 338-0335  
EMAIL tom@thesadlergroup.com

01/22/2020  
THOMAS R. SELLER  
ARCHITECT  
4055 INTERNATIONAL PLAZA SUITE 150 FORT WORTH TEXAS 76109  
SEP 21 2020

**John Franz Architect**  
ARCHITECTURE, INTERIOR ARCHITECTURE, PLANNING (817) 377-8678

**SHELL BUILDING**  
920 STRICKLAND BRIDGE ROAD  
FAYETTEVILLE, NORTH CAROLINA 28304

Revisions:  
A 01/03/2020 - REVISION 3  
B 01/22/2020 - REVISION 4

File Name: S\_SHEETS  
Project No: 19033  
Date: 09/24/19  
Drawn By: GTS  
Checked By: TFS

SHEET  
**S6**  
FRAMING DETAILS

Order Plans

WWW.LDLINE.COM