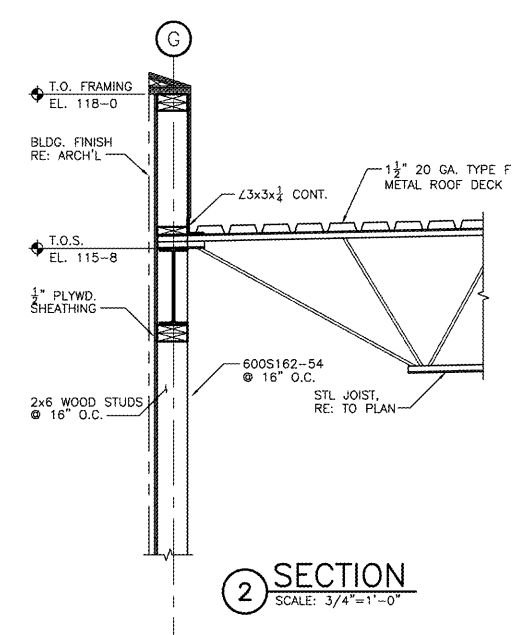
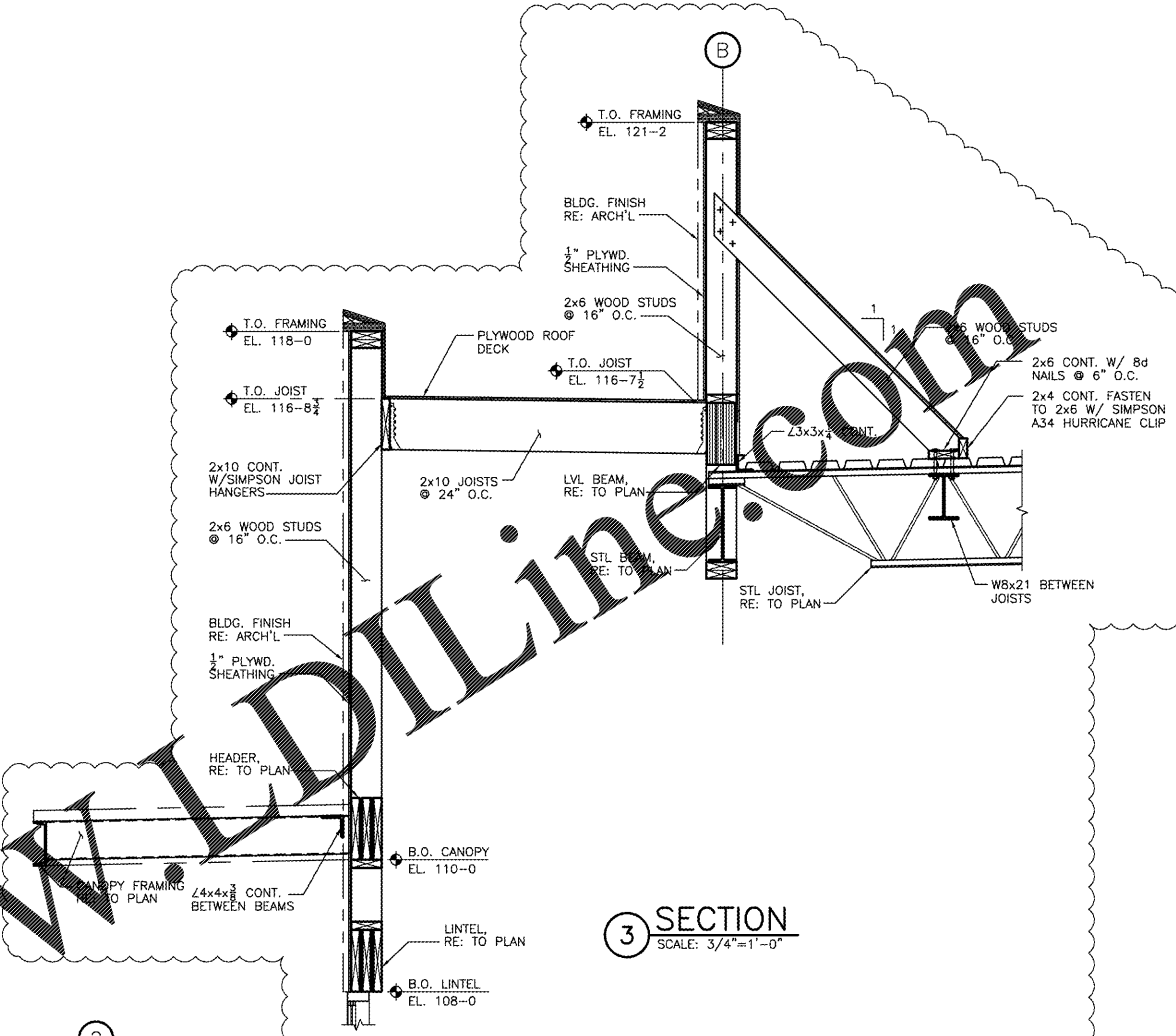


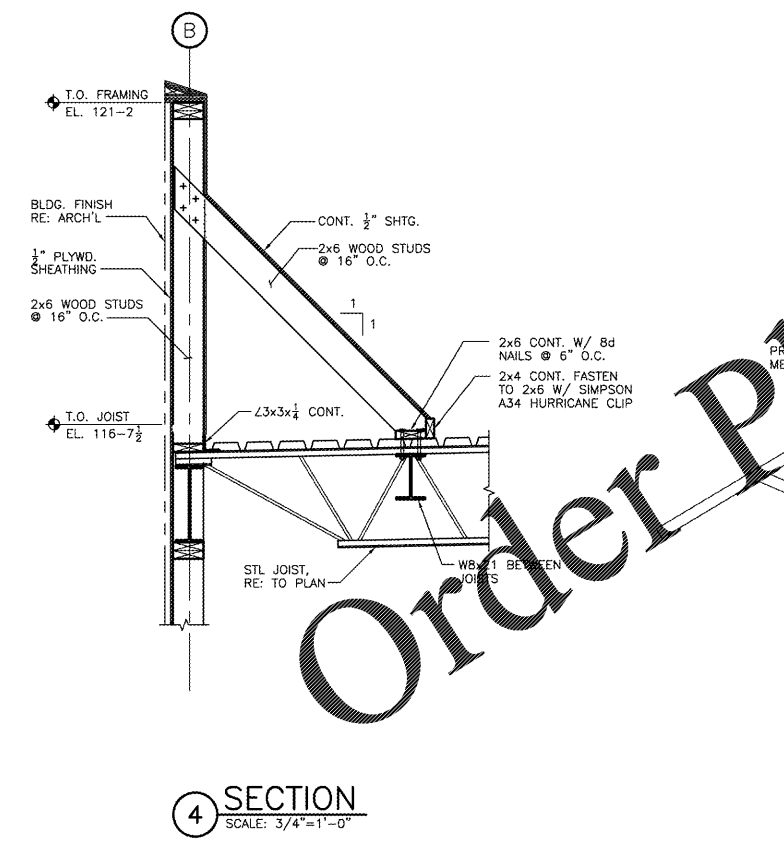
1 SECTION
SCALE: 3/4"=1'-0"



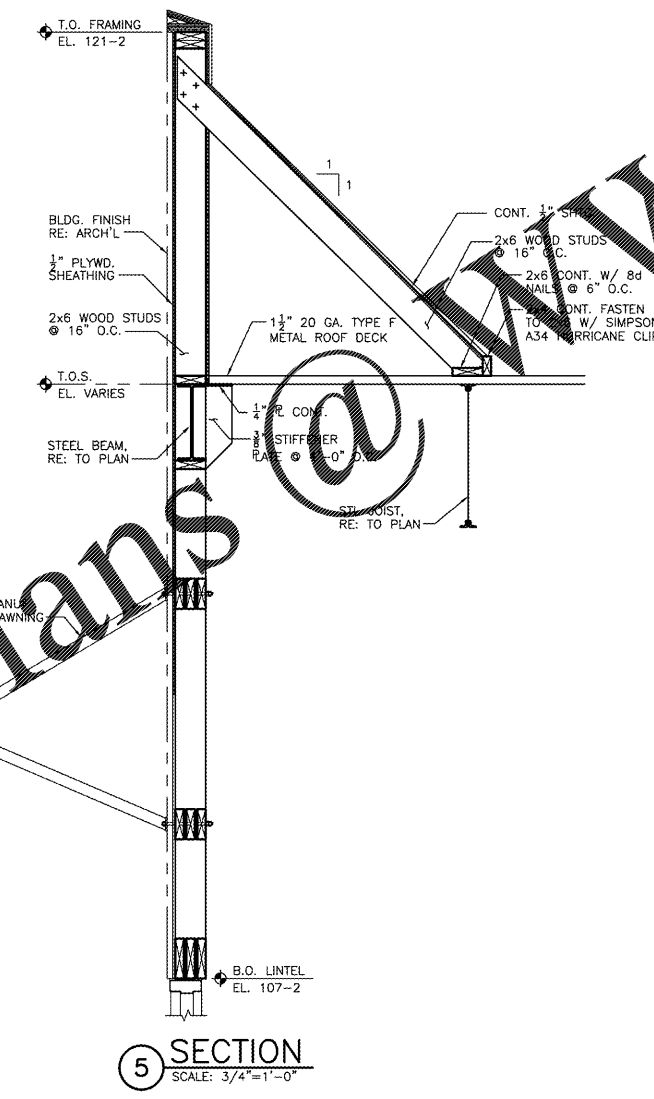
2 SECTION
SCALE: 3/4"=1'-0"



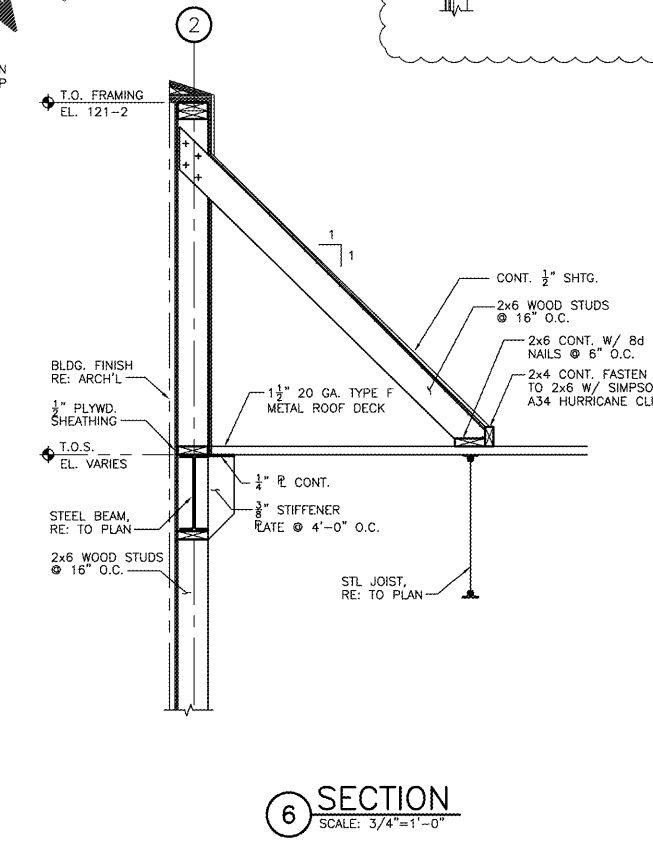
3 SECTION
SCALE: 3/4"=1'-0"



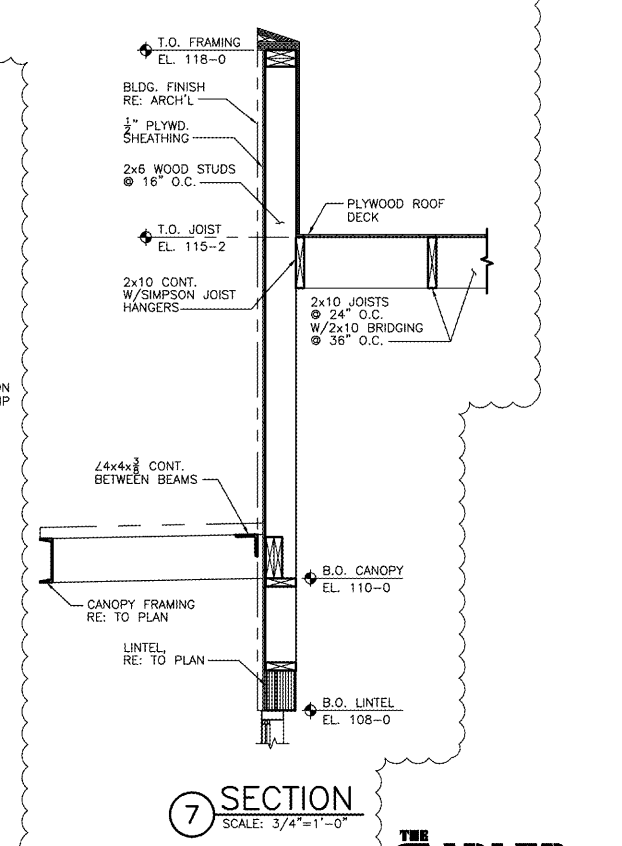
4 SECTION
SCALE: 3/4"=1'-0"



5 SECTION
SCALE: 3/4"=1'-0"

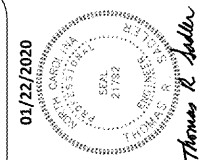


6 SECTION
SCALE: 3/4"=1'-0"



7 SECTION
SCALE: 3/4"=1'-0"

Order Plans @ www.dlinc.com



John Franz Architect
ARCHITECTURE, INTERIOR ARCHITECTURE, PLANNING (817) 337-8678
4055 INTERNATIONAL PLAZA, SUITE 150 FORT WORTH, TEXAS 76109

SHELL BUILDING
920 STRICKLAND BRIDGE ROAD
FAYETTEVILLE, NORTH CAROLINA 28304

Revisions:
 01/03/2020 - REVISION 3
 01/22/2020 - REVISION 4

File Name: S_SHEETS
 Project No: 19033
 Date: 09/24/19
 Drawn By: GTS
 Checked By: TFS

SHEET
S5
 FRAMING DETAILS

THE ADLER GROUP
STRUCTURAL ENGINEERS
500 Main St., Suite 700 Fort Worth, Texas 76102
PHONE (817) 332-1074
FAX (817) 338-0335
EMAIL tom@theadlergroup.com