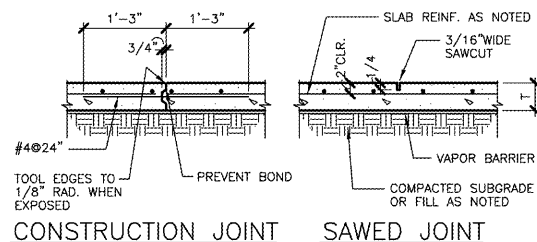


CORNER INTERSECTION

GRADE BM. CORNER REINFORCING

NOTE: LAP TOP & BOT. GRADE BEAM REINF. WITH #5 CORNER BARS.

1 TYPICAL DETAIL  
SCALE: 3/4"=1'-0"

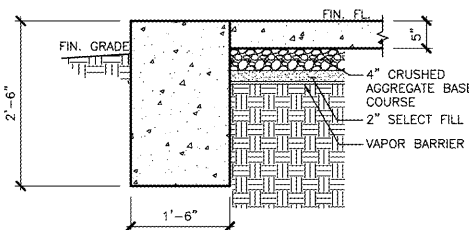


CONSTRUCTION JOINT

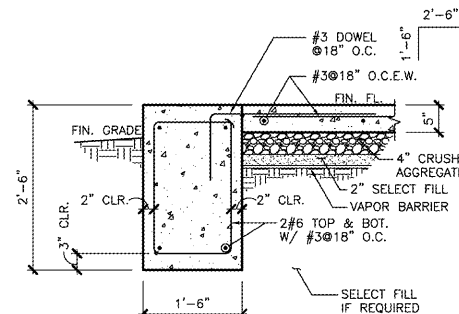
SAWED JOINT

- NOTES:
- 1) PROVIDE JOINTS IN SLAB AT MAXIMUM SPACING OF 25 FEET O.C. EACH WAY.
  - 2) TYPICAL JOINT IS A SAWED JOINT. CONTRACTOR TO LOCATE CONSTRUCTION JOINTS AT HIS DISCRETION.
  - 3) SAWED JOINT SHALL BE CUT WITHIN 12 HOURS OF SLAB PLACEMENT.

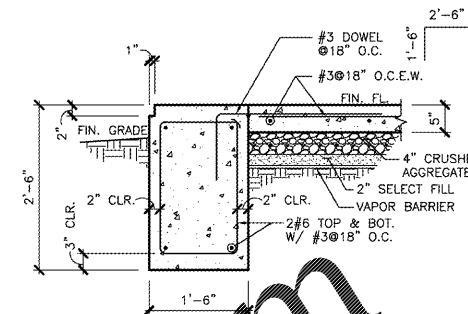
2 CONTROL JOINT DETAILS  
SCALE: 3/4"=1'-0"



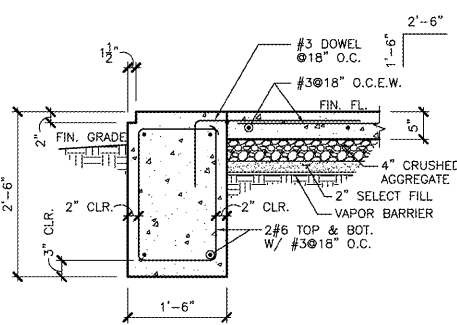
3 SECTION  
SCALE: 3/4"=1'-0"



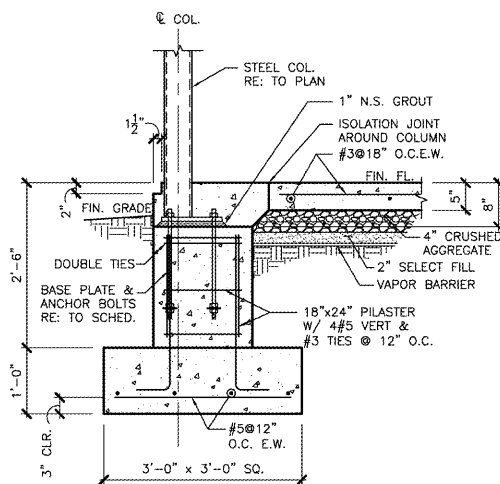
4 SECTION  
SCALE: 3/4"=1'-0"



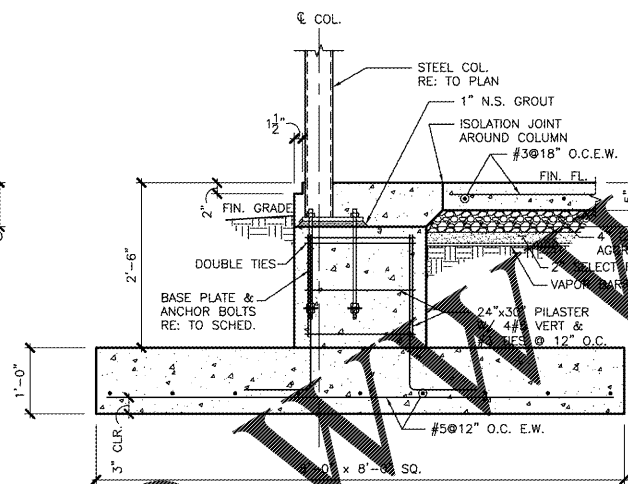
5 SECTION  
SCALE: 3/4"=1'-0"



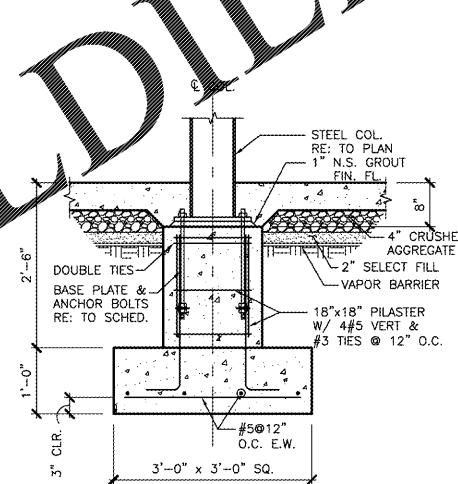
6 SECTION  
SCALE: 3/4"=1'-0"



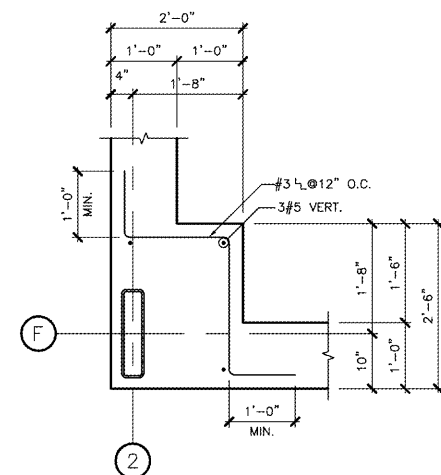
7 SECTION  
SCALE: 3/4"=1'-0"



8 SECTION  
SCALE: 3/4"=1'-0"

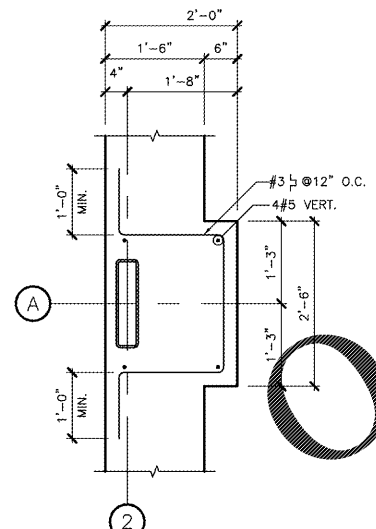


9 SECTION  
SCALE: 3/4"=1'-0"

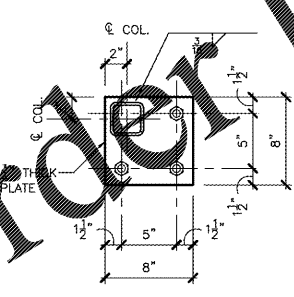


ADDITIONAL REINFORCEMENT AT PILASTER

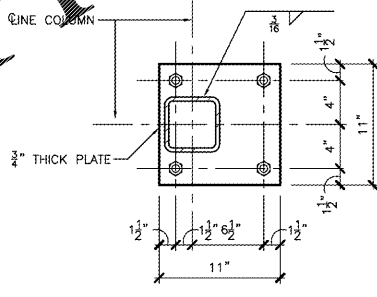
10 TYPICAL DETAIL  
SCALE: 3/4"=1'-0"



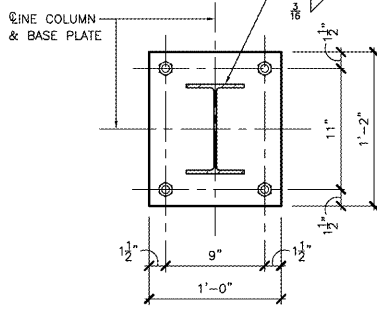
11 TYPICAL DETAIL  
SCALE: 3/4"=1'-0"



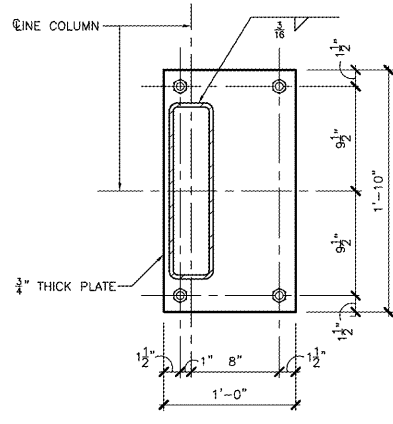
12 B.P. DETAIL  
SCALE: 1-1/2"=1'-0"



13 B.P. DETAIL  
SCALE: 1-1/2"=1'-0"



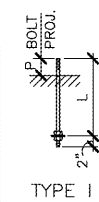
14 B.P. DETAIL  
SCALE: 1-1/2"=1'-0"



15 B.P. DETAIL  
SCALE: 1-1/2"=1'-0"

MARK	DIMENSIONS (IN.)			THICK (IN.)	ANCHOR BOLTS	DETAIL
	L	W	X			
BP-1	8	8		3/4	(3)AB-1	12/S4
BP-2	11	11		3/4	(4)AB-1	13/S4
BP-3	14	12		3/4	(4)AB-1	14/S4
BP-4	20	12		3/4	(4)AB-1	15/S4

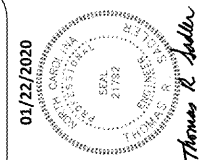
TYPE	MARK	DIA. (IN.)	DIMENSIONS (IN.)			MATERIAL
			L	H	P	
1	AB-1	3/4	18	---	3	F1554 GRADE 55



TYPE 1

Order Plans @

LDILine.com



**John Franz Architect**  
ARCHITECTURE, INTERIOR ARCHITECTURE, PLANNING (817) 337-8678  
4055 INTERNATIONAL PLAZA SUITE 150 FORT WORTH, TEXAS 76109

**SHELL BUILDING**  
920 STRICKLAND BRIDGE ROAD  
FAYETTEVILLE, NORTH CAROLINA 28304

Revisions:  
01/03/2020 - REVISION 3  
01/22/2020 - REVISION 4

File Name: S\_SHEETS  
Project No: 19033  
Date: 09/24/19  
Drawn By: GTS  
Checked By: TFS

SHEET  
**S4**  
FOUNDATION DETAILS

**THE SADLER GROUP**  
STRUCTURAL ENGINEERS  
500 Main St., Suite 700 Fort Worth, Texas 76102  
PHONE (817) 332-1074  
FAX (817) 338-0335  
EMAIL tom@thesadlergroup.com