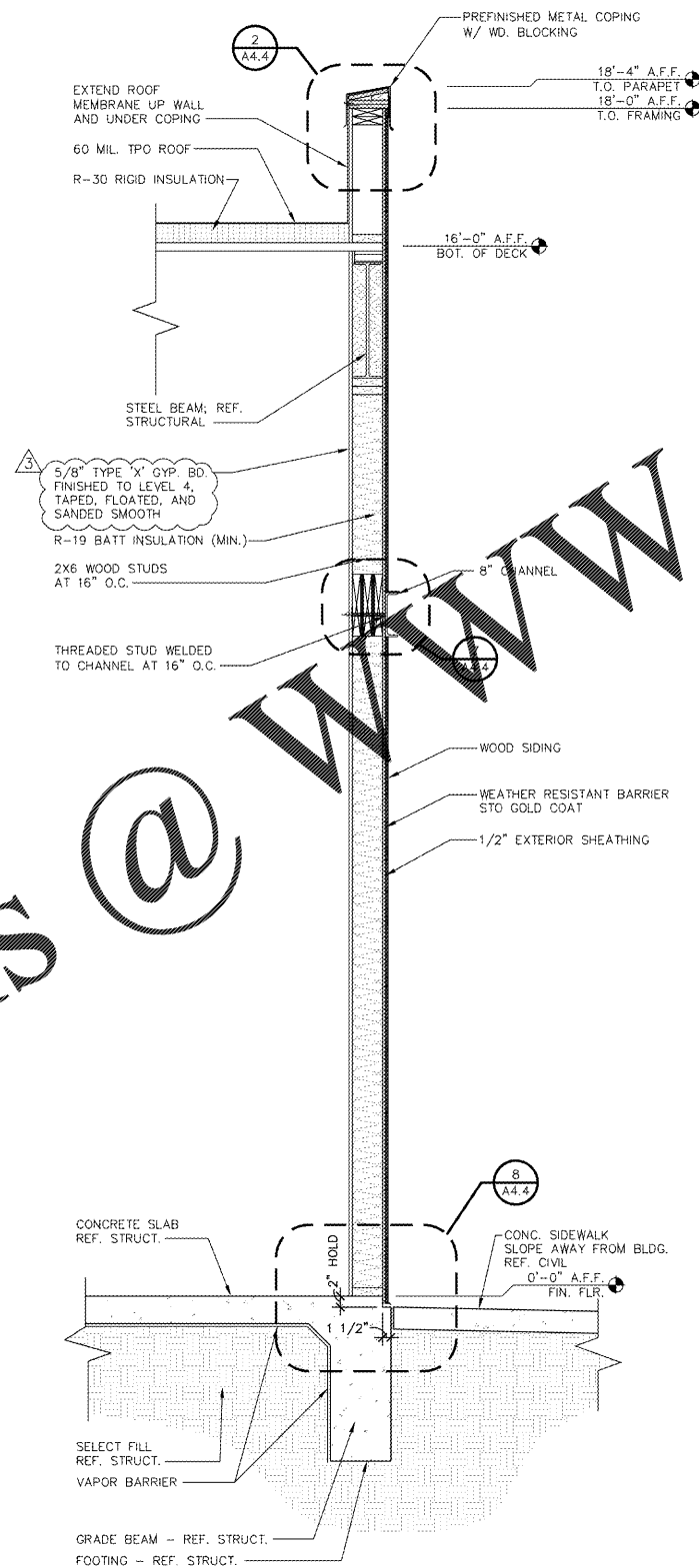
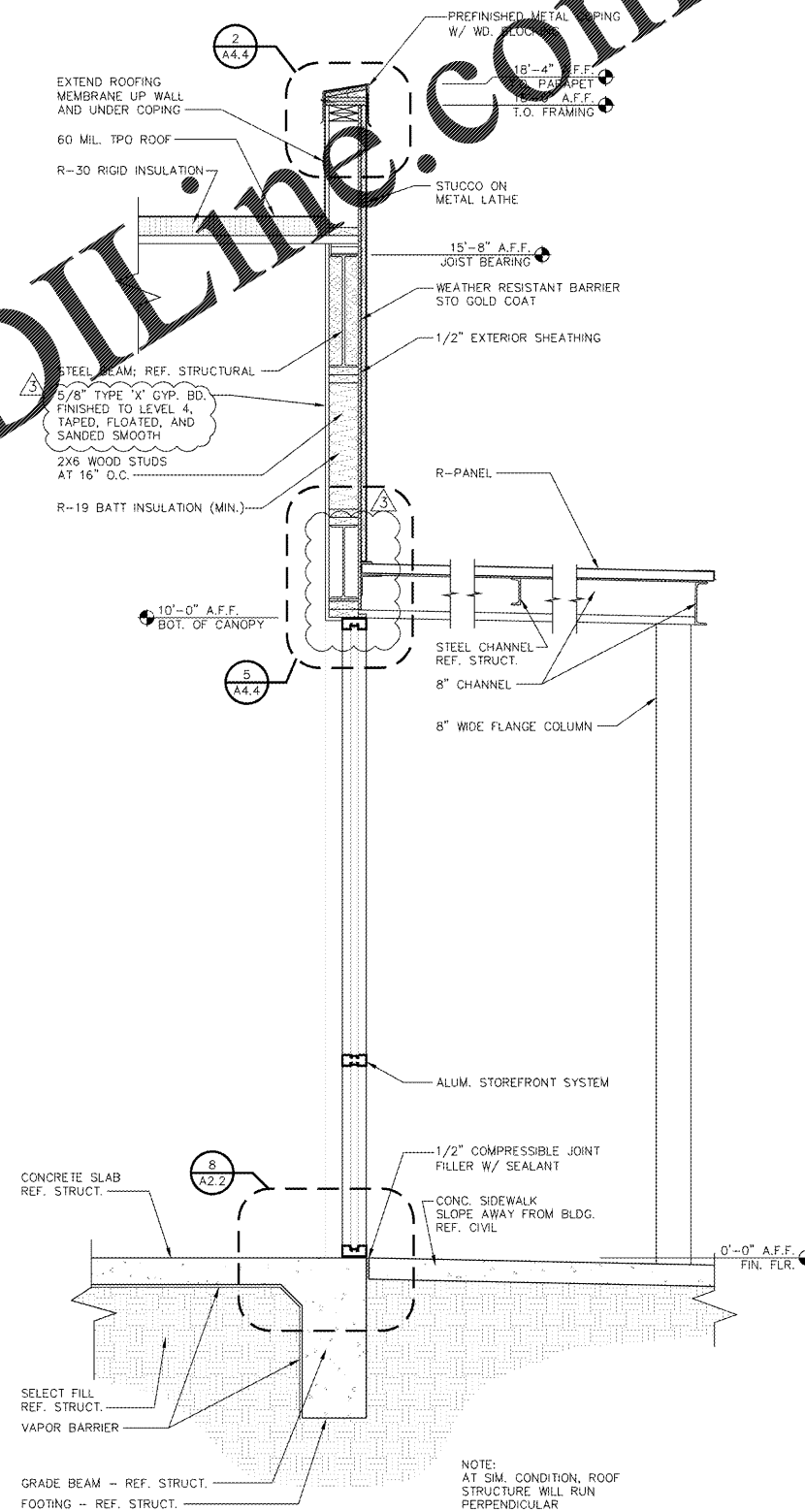


1 WALL SECTION
 SCALE: 3/4" = 1'-0"



2 WALL SECTION
 SCALE: 3/4" = 1'-0"



3 WALL SECTION
 SCALE: 3/4" = 1'-0"

NOTE:
 AT SIM. CONDITION, ROOF
 STRUCTURE WILL RUN
 PERPENDICULAR

Order Plans @ www.LDILine.com