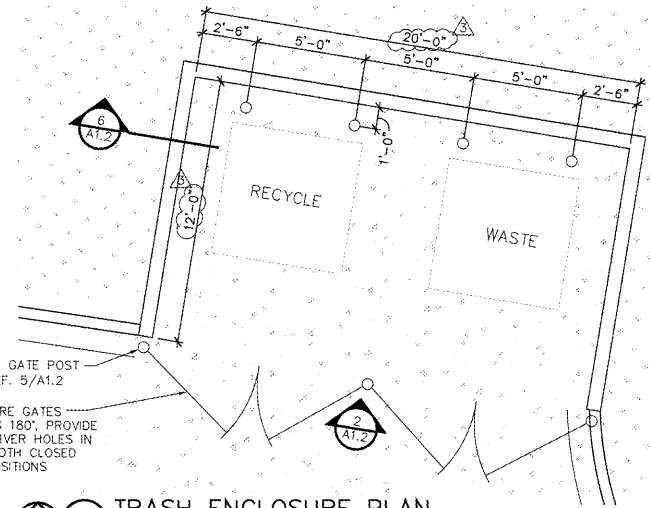
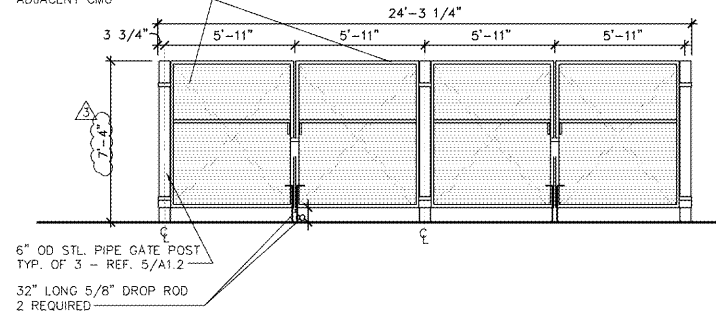


TRASH ENCLOSURE GATES, 1 1/2" 16 GAGE  
 STEEL DECKING WELDED TO 1 3/4"x1  
 3/4"x3/16" STEEL ANGLE FRAME WITH 2" WIDE  
 "X" STRAP BRACING WELDED TO STEEL ANGLE  
 FRAME ON INSIDE FACE, PAINT TO MATCH  
 ADJACENT CMU

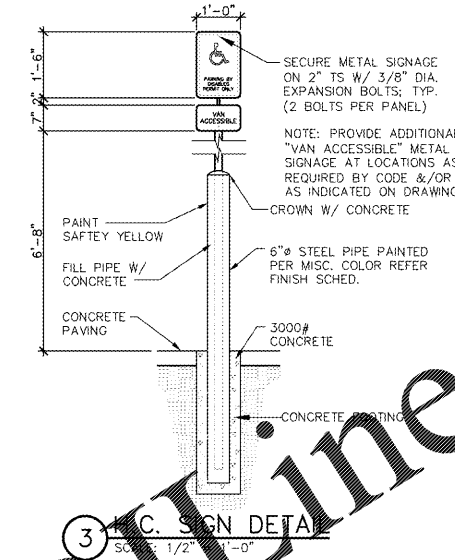


1 TRASH ENCLOSURE PLAN  
 SCALE: 1/4" = 1'-0"

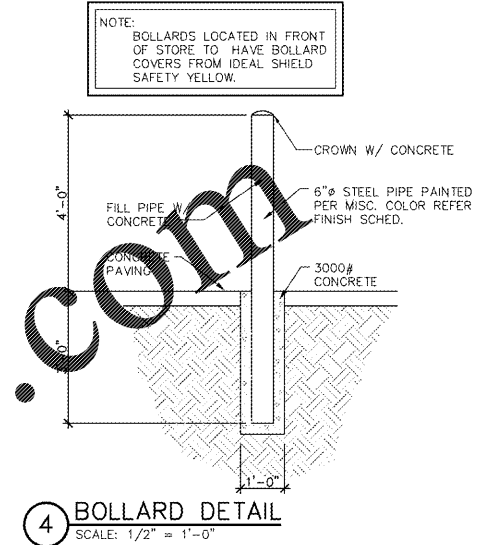


2 TRASH ENCLOSURE ELEV.  
 SCALE: 1/4" = 1'-0"

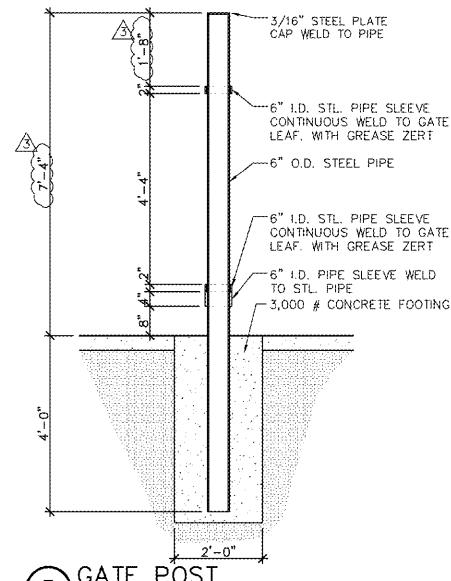
TRASH ENCLOSURE DOOR		
QTY.	DESCRIPTION	NUMBER - FINISH
4	RICHARD WILCOX: HINGE	1035.00271 24" - BLK
2	RICHARD WILCOX: CANE BOLT	0524.00021 - BLK
2	LAWRENCE BROS PULL	CB12105 - BLK
1	LAWRENCE BROS HASP	CB19155-6"
1	PADLOCK	C955-2 FIC - 606
1	CYLINDER CORE	(hardware number to be determined)



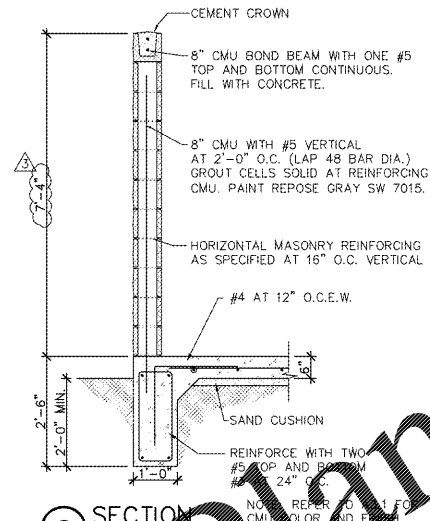
3 C. SIGN DETAIL  
 SCALE: 1/2" = 1'-0"



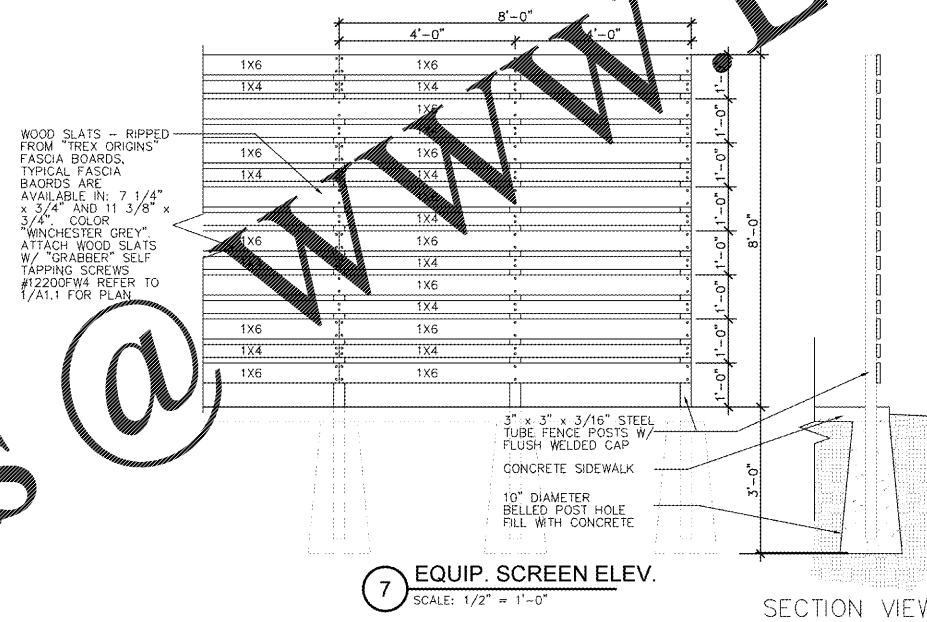
4 BOLLARD DETAIL  
 SCALE: 1/2" = 1'-0"



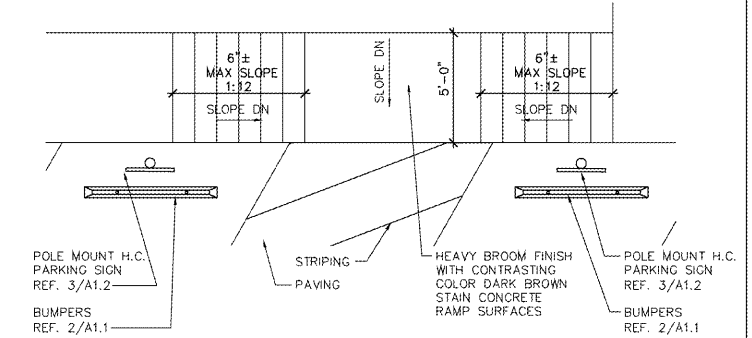
5 GATE POST  
 SCALE: 1/2" = 1'-0"



6 SECTION  
 SCALE: 1/2" = 1'-0"



7 EQUIP. SCREEN ELEV.  
 SCALE: 1/2" = 1'-0"



8 ACCESSIBLE RAMP  
 SCALE: 1/4" = 1'-0"

**Order Plans @**