

LIGHT FIXTURE SCHEDULE

| MARK | MFR. | CATALOG NUMBER | SUPPLY VOLTAGE | FINISH | MOUNTING | | | | LAMP QUANTITY | LAMP TYPE | WATTAGE | DESCRIPTION OF ACCESSORIES | NOTES | FIXTURE QUANTITY | |
|---|---|---|----------------|--------|----------|-----------------------|---------------|-------|---------------|-----------|---------------------|--------------------------------------|--|--|----|
| | | | | | LAY-IN | RECESSED SURFACE WALL | SURF. CEILING | OTHER | | | | | | | |
| LED DIMMABLE LIGHTS - ALL INDOOR LIGHT FIXTURES SHALL HAVE DISCONNECTING MEANS TO COMPLY WITH NEC 410.130(G) | | | | | | | | | | | | | | | |
| A | LSI | SDL8 LED 80L FL UNV DIM1 40 80CRI OR NO SUBSTITUTIONS | 120 | WHITE | | X | | | | --- | 62 | GRID HANGER (2 PER FIXTURE) | GRID HANGER (648480) (CEILING GRID ONLY). 0-10 VOLT DIMMING DRIVER STANDARD. | 52 | |
| B | LSI | SDL4 LED 40L FL UNV DIM1 40 80CRI OR NO SUBSTITUTIONS | 120 | WHITE | | X | | | | --- | 30 | GRID HANGER (2 PER FIXTURE) | GRID HANGER (648480) (CEILING GRID ONLY). 0-10 VOLT DIMMING DRIVER STANDARD. OMIT GRID HANGER @ HARD CEILING. | 13 | |
| C | LSI | SDL8 LED 80L FL UNV DIM1 40 80CRI OR NO SUBSTITUTIONS | 120 | WHITE | | | X | | | --- | 62 | 5' CHAIN HANGING KIT (2 PER FIXTURE) | HANG TOP OF FIXTURES AT 12" A.F.F. WITH CHAIN HANGERS AND LENGTH OF CHAIN AS REQUIRED. 0-10 VOLT DIMMING, DRIVER STANDARD. | 35 | |
| D | LSI | SDL4 LED 40L FL UNV DIM1 40 80CRI OR NO SUBSTITUTIONS | 120 | WHITE | | | X | | | --- | 30 | 5' CHAIN HANGING KIT (2 PER FIXTURE) | HANG TOP OF FIXTURES AT 12" A.F.F. WITH CHAIN HANGERS AND LENGTH OF CHAIN AS REQUIRED. 0-10 VOLT DIMMING, DRIVER STANDARD. | 12 | |
| COMBINATION EXIT/EMERGENCY LIGHTS, EMERGENCY LIGHTS & EXTERIOR EMERGENCY REMOTE HEADS | | | | | | | | | | | | | | | |
| XR | COOPER | APCH7R (RED LETTERS) | 120 | WHITE | | X | X | | | 2 | LED EXIT + (2) 3.6V | 2.34 | UNIVERSAL (WALL/CLG.) SINGLE PR DOUBLE FACE | BACKUP BATTERIES SHALL MAINTAIN 100% ILLUMINATION FOR A MINIMUM OF 90 MINUTES TO COMPLY WITH ARTICLE 700.12(A) OF THE N.E.C. | 9 |
| EM | COOPER | APFL | 120 | WHITE | | X | X | | | 2 | 3.6V | 0.33 | UNIVERSAL (WALL/CLG.) | BACKUP BATTERIES SHALL MAINTAIN 100% ILLUMINATION FOR A MINIMUM OF 90 MINUTES TO COMPLY WITH ARTICLE 700.12(A) OF THE N.E.C. | 18 |
| RH2 | COOPER | APWR2 | 3.6V DC | WHITE | | X | | | | 2 | LED REMOTE HEAD | 0 | --- | POWERED BY EMERGENCY "XR" FIXTURE. | 3 |
| LED EXTERIOR LIGHTS | | | | | | | | | | | | | | | |
| PC | INTERMATIC | PHOTOCELL -- #K4251 | 120 | GRAY | | X | | | | --- | --- | --- | --- | MOUNT ABOVE WALL LIGHT LOCATED NEAR FREIGHT DOOR | 1 |
| L | LSI | LAD6 41 LED 40 75 UE TRER SFHAZ | 120 | CLEAR | X | | | | | 1 | --- | 45 | --- | RECESSED CAN. | 1 |
| WSX | SEE "SP1" SHEET FOR EXTERIOR LIGHTING WALL SOURCE FIXTURE SCHEDULE | | | | | | | | | | | | | | |
| PX | SEE "SP1" SHEET FOR EXTERIOR LIGHTING POLE LIGHT FIXTURE SCHEDULE | | | | | | | | | | | | | | |
| WPL | SEE "SP1" SHEET FOR EXTERIOR LIGHTING PORTAL LIGHT FIXTURE SCHEDULE | | | | | | | | | | | | | | |

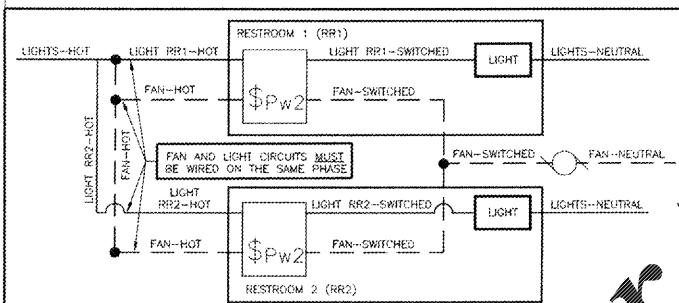
FIXTURE QUANTITY TO BE VERIFIED WITH LIGHTING PLAN QUANTITY

CONDUIT REQUIREMENTS

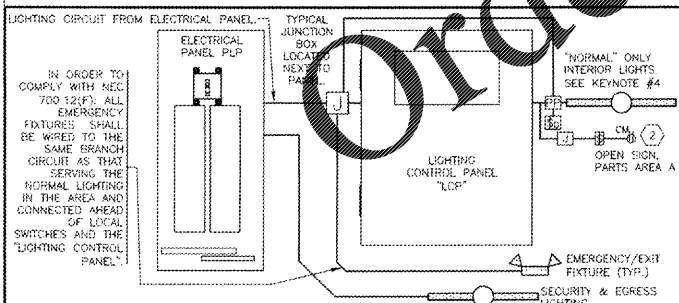
ALL WIRING SHALL BE IN CONDUIT EXCEPT THAT MC-CABLE MAY BE SUBSTITUTED ONLY AS FOLLOWS:
 A. MC-CABLE (MAXIMUM CABLE LENGTH OF 10'-0") MAY BE INSTALLED ONLY FOR BRANCH CIRCUIT WIRING TO LIGHT FIXTURES.
 B. MC-CABLE (MAXIMUM CABLE LENGTHS SHOWN ON DETAIL 2/E2) MAY BE INSTALLED ONLY ABOVE SLAB AND ONLY AT LOCATIONS INDICATED ON E2 SHEET.
 SEE SHEET E4 FOR MORE REQUIREMENTS.
 ROUTE ALL OVERHEAD CONDUITS/MC-CABLES THRU HARD PARTS AREA ONLY. DO NOT RUN OVERHEAD CONDUITS/MC-CABLES ABOVE GRID IN PARTS AREA "A" (SHOWROOM).

EMERGENCY/EXIT LIGHTING

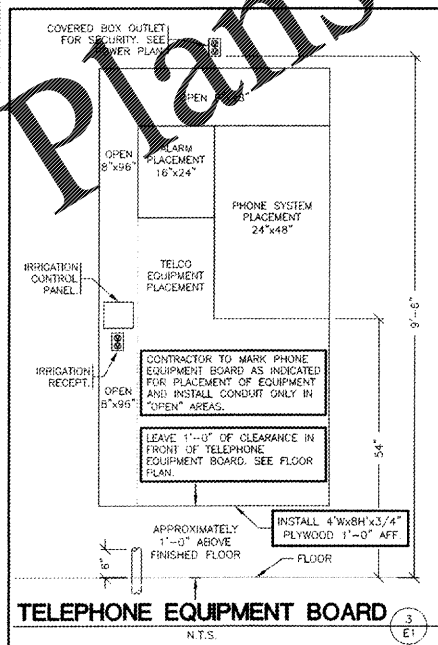
PLACE EXIT SIGNS HIGH ENOUGH TO BE SEEN ABOVE ALL MERCHANDISE WITH THE FOLLOWING LIMITATION: THE MAXIMUM HEIGHT FOR AN EXIT LIGHT ASSOCIATED WITH A SPECIFIC OPENING (I.E. MOUNTED OVER A DOOR OR OPENING) SHALL BE NO GREATER THAN THE CODE ALLOWED 5'-8" ABOVE THE TOP EDGE OF THE DOOR OR OPENING.



RESTROOM EXHAUST FAN WIRING DIAGRAM



EMERGENCY/EXIT LIGHTING CONNECTION DIAGRAM



TELEPHONE EQUIPMENT BOARD

LIGHTING - KEYNOTES

- MOUNT J-BOX INSIDE BUILDING & FLEX CONDUIT THRU WALL FOR POWER SUPPLY TO ILLUMINATED SIGN. EXACT LOCATION OF PENETRATIONS SHALL BE COORDINATED WITH SIGN COMPANY. PENETRATIONS SHALL BE BEHIND SIGNAGE. WATERPROOF W/ ELASTOMERIC POLYURETHANE (NO EXCEPTIONS) EQUAL TO "VULKEN" 118. WIRE TO SIGN WITH 15' OF WIRING "WHIP" (SHALL BE FLEX OR TYPE MC CABLE). COIL AND "CABLE TIE" WIRING "WHIP" TO WALL ABOVE CEILING. TYPICAL.
- TO "OPEN" SIGN. SEE SHEET E2.
- SEE "E" PANEL TRANSFER SWITCH SCHEDULE FOR POSITION OF CIRCUIT WIRES THROUGH TRANSFER SWITCH.
- VIA LIGHTING CONTROL PANEL. SEE EM SHEET.
- DIMMER LIGHTING CONTROL SWITCHES LOCATED ON OUTSIDE WALL OF OFFICE. SEE LIGHTING PLAN FOR QUANTITY. SEE DETAILS ON SHEET E4 FOR MORE INFORMATION.
- SUSPEND 8"-0" A.F.F. THIS FIXTURE ONLY.
- ROUTE THE OFFICE AND RESTROOM'S LIGHTING CIRCUIT THRU THE LOCAL OCCUPANCY SENSORS AND DIRECTLY TO THE CIRCUIT BREAKER. THESE FIXTURES SHALL NOT BE SWITCHED BY THE LIGHTING CONTROL PANEL. SEE "E" PANEL TRANSFER SWITCH SCHEDULE FOR POSITION OF CIRCUIT WIRES THROUGH TRANSFER SWITCH.
- REFER TO ARCHITECTURAL ELEVATIONS SHEETS SHOWING DIMENSIONED LOCATIONS. TYPICAL ALL WALL SCANCES.
- SECURITY & EGRESS FIXTURE TO BE AS CLOSE AS POSSIBLE BUT NOT OVER THE OVERHEAD DOOR WHEN OPEN.
- ROUTE SECURITY & EGRESS LIGHTING CIRCUIT DIRECTLY TO THE ELECTRICAL PANEL.

AUTOMATIC LIGHTING CONTROL

- COMPLIANCE WITH ENERGY CODE IS ACHIEVED BY:
- ONCE THE EMS HAS BEEN PROGRAMMED, THE INTERIOR AND EXTERIOR LIGHTS WILL TURN ON AND OFF USING THE FOLLOWING LOGIC: SEE EM SHEETS.
 INTERIOR WORK LIGHTS WILL TURN ON WITH FIRST MOTION IN THE STORE AND WILL TURN OFF 15 MINUTES AFTER LAST MOTION ONCE THE STORE IS CLOSED.
 INTERIOR SALES LIGHTS WILL TURN ON AT STORE OPENING AND TURN OFF 15 MINUTES AFTER STORE CLOSING.
 EXTERIOR SIGN LIGHTS WILL TURN ON WHEN ITS DARK ENOUGH OUTSIDE ANYTIME DURING STORE HOURS, AND WILL TURN OFF AT STORE CLOSING.
 EXTERIOR SITE LIGHTS WILL TURN ON WHEN IT IS DARK ENOUGH OUTSIDE AND IT IS WITHIN STORE HOURS OR THERE IS MOTION IN THE STORE. THEY WILL TURN OFF 30 MINUTES AFTER LAST MOTION ONCE THE STORE IS CLOSED.
 FOR NEW CONSTRUCTION LOCATIONS ONLY, THERE IS A TEMPORARY PROGRAM TO KEEP SIGN AND SITE LIGHTS ON UNTIL MIDNIGHT RATHER THAN THE TIMES INDICATED ABOVE. O'REILLY WILL DISABLE THIS PROGRAM ONE YEAR AFTER STORE OPENING.
 - RESTROOMS AND OFFICES: ALL LIGHTING IN THESE AREAS ARE CONTROLLED BY OCCUPANT-SENSING DEVICES.

INTERIOR LIGHTING ZONES

ALL INTERIOR LIGHTING WITHIN PARTS AREA "A" SHALL BE CONSIDERED "SALES" ZONE (ON ONLY WHEN STORE IS OPEN FOR BUSINESS).
 ALL INTERIOR LIGHTING WITHIN PARTS AREA "B" SHALL BE CONSIDERED "WORK" ZONES (ON WHEN THERE IS MOTION OR THE STORE IS OPEN).

