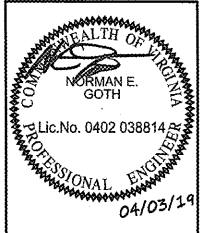


RECEIVED  
APR 04 2019  
1736 EAST SUNSHINE, SUITE 417  
SPRINGFIELD, MO 65807



**Craig A. Schneider, AIA**  
ARCHITECT  
1736 East Sunshine, Suite 417  
Springfield, Missouri 65804  
417-862-0556  
417-862-3265  
e-mail: architect@schneider.com

**PROJECT:**  
NEW O'REILLY AUTO PARTS STORE  
290 DEACON ROAD  
FREDERICKSBURG, VA #4  
03-25-19  
**HVAC SCHEDULES**

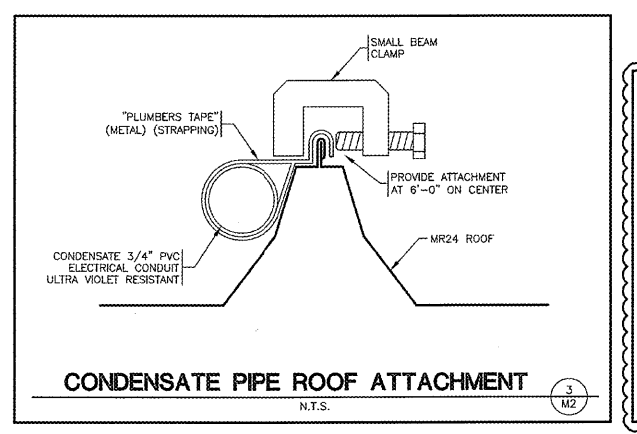
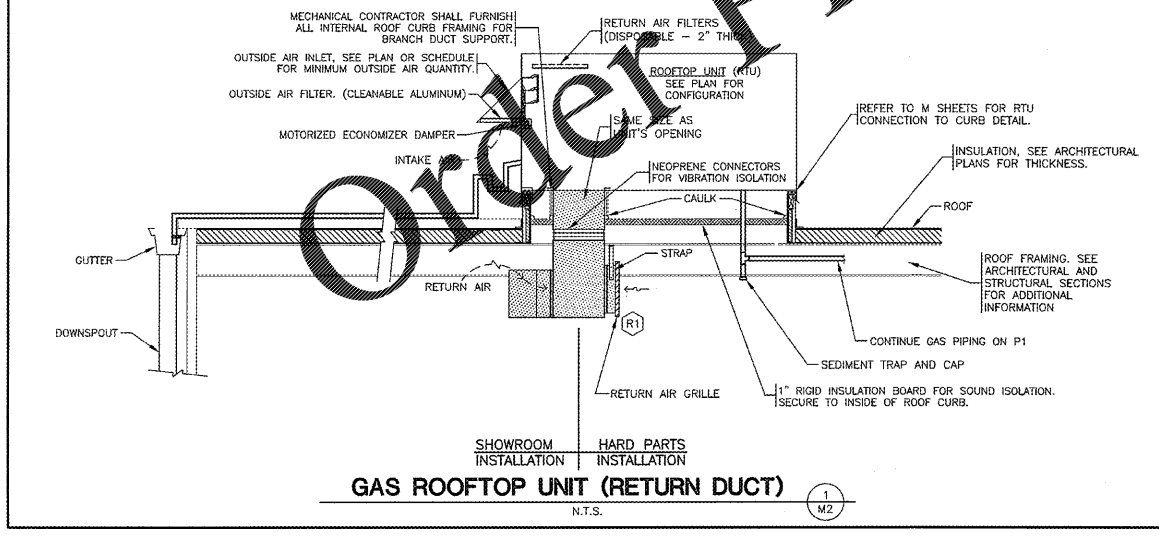
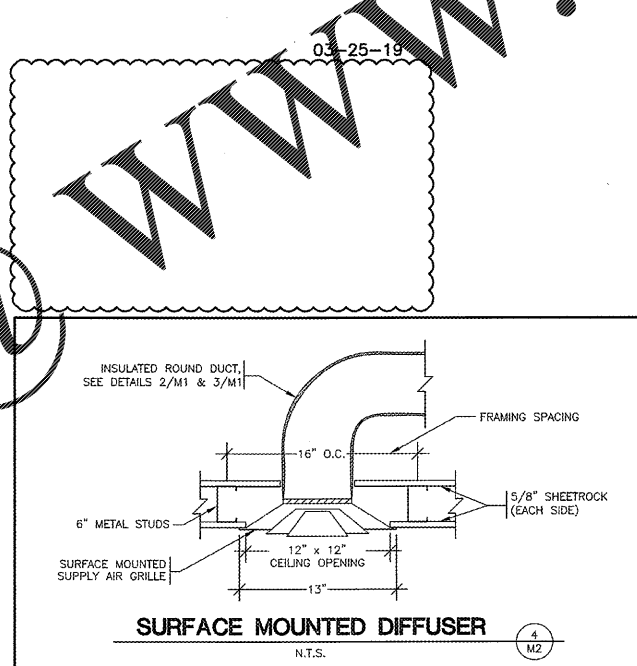
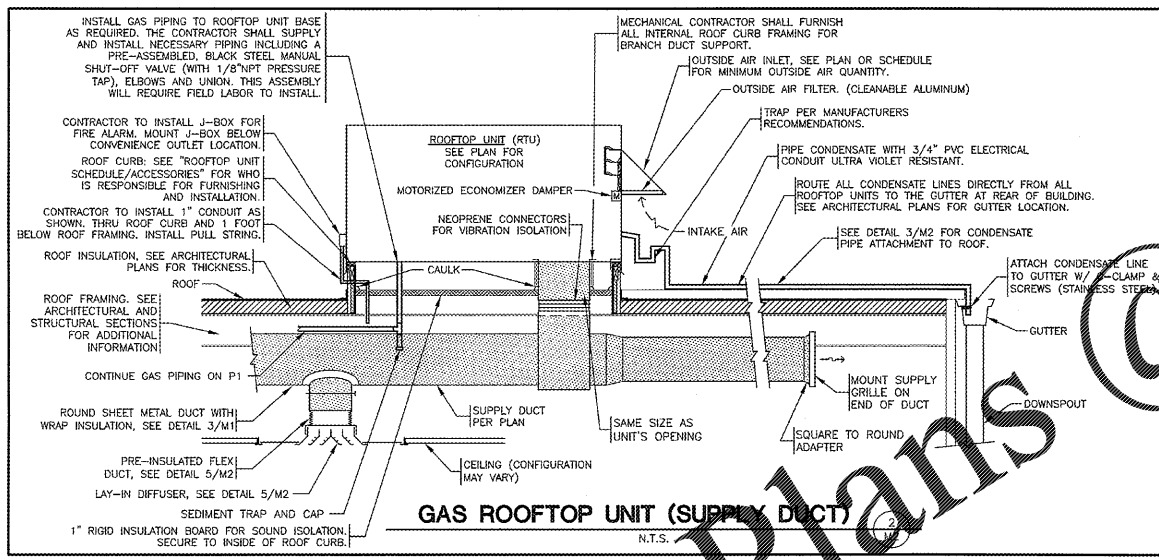
**O'Reilly AUTO PARTS**  
CORPORATE OFFICES  
233 SOUTH PATTERSON  
SPRINGFIELD, MISSOURI 65802  
(417) 862-2674 TELEPHONE

COMM # 4251  
DATE: 11-02-18  
REVISION  
DATE:  
03-25-19

**SGE**  
SMITH-GOTH ENGINEERS, INC.  
3855 S. JEFFERSON AVE. P: 417-882-2200  
SPRINGFIELD, MO 65807 F: 417-882-1188  
www.smithgoth.com

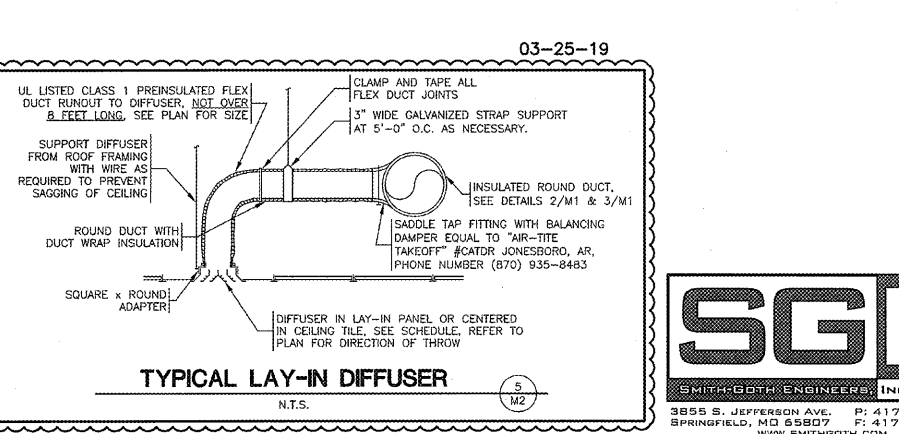
NATIONAL ACCOUNT - ROOFTOP UNIT SCHEDULE - 7.5 TON - GAS (3-PHASE) - BY O'REILLY																								
RTU - RESPONSIBILITIES										CALL THE CARRIER CUSTOMER SERVICE REP. BELOW FOR CONFIRMATION OF ORDERS. DO NOT CALL CARRIER FOR QUOTES!														
1.) ALL CARRIER HVAC UNITS ARE OWNER SUPPLIED BY O'REILLY AUTOMOTIVE. 2.) MECHANICAL CONTRACTOR IS RESPONSIBLE FOR THE INSTALLATION OF ALL CARRIER HVAC UNITS. 3.) MECHANICAL CONTRACTOR IS RESPONSIBLE FOR THE FIRST YEAR LABOR WARRANTY ON ALL OWNER SUPPLIED EQUIPMENT. 4.) MECHANICAL CONTRACTORS WORKING ON O'REILLY PROJECTS MUST CALL "CARRIER CORPORATION'S NATIONAL ACCOUNTS" DEPARTMENT FOR CONFIRMATION OF ORDERS ONLY! 5.) MECHANICAL CONTRACTOR IS RESPONSIBLE FOR SCHEDULING, SHIPPING & RECEIVING OF ALL CARRIER UNITS FROM CARRIER NATIONAL ACCOUNTS. CONTACT CUSTOMER SERVICE REP. LISTED TO THE RIGHT.										CARRIER CORPORATION, STRATEGIC ACCOUNTS, CARRIER PARKWAY SYRACUSE, NEW YORK 13221 CUSTOMER SERVICE REPS: MARIA CAMPANELLO 315-432-3946 Maria.campanello@carrier.utc.com ACCOUNT MANAGER: PAUL WITZ 315-432-2481 paul.witz@carrier.utc.com														
MARK	DESCRIPTION	MFR.	CATALOG NUMBER	HTG. MBH STAGE 1	HTG. MBH STAGE 2	TTL. HTG. IN/OUT	THERM. EFF.	CLG. MBH STAGE 1	CLG. MBH STAGE 2	TTL. COOL. TOT./SENS.	IEER	EER	CFM	O.A.	ESP	HP	MCA	MOCP	Wt. (lbs.)	ACCESSORIES	REMARKS	REF. DETL.		
RTU-1	WEATHERMASTER PACKAGED ROOFTOP UNIT 7.5-TON	CARRIER	48HCR00BK2M5-0F1D0	120/98	60/50	180/148	82%	46.5/36	46.5/36	93/72	13.00	12.00	3000	0.6	1.50	41	50*	1172		SEE BELOW	1/2M2			
<b>ACCESSORIES - FACTORY SUPPLIED AND INSTALLED</b> HE - STAINLESS STEEL GAS HEAT EXCHANGER (HIGH HEAT) (15 YR. WARRANTY). SD - RETURN AIR SMOKE DETECTOR. MB - MEDIUM STATIC BLOWER (SINGLE SPEED). HG - LOUVERED HAIL GUARDS. UPO - UN-POWERED CONVENIENCE OUTLET (FIELD POWERED), 15AMP, 120V, GROUND FAULT CIRCUIT INTERRUPTER (GFCI) TYPE. TBEG - THRU-THE-BOTTOM-ELECTRIC & GAS SERVICES. (SEE ROOF TOP UNIT DETAILS) SS - HI & LOW REFRIGERANT SAFETY SWITCHES. (STANDARD ON EVERY UNIT) AF - 2" RETURN AIR FILTERS. (STANDARD ON EVERY UNIT) EC - ENTHALPY ECONOMIZER IV, W/BAROMETRIC RELIEF.										<b>ACCESSORIES - FACTORY SUPPLIED &amp; FIELD INSTALLED</b> CO2 - CO2 SENSOR, WALL MOUNT, #332CSP02L0C-01 CO2/SPACE TEMPERATURE SENSOR WITH LCD DISPLAY & NO OVERRIDE. RTRS - REMOTE TEST/RESET STATION, CARRIER #50-TRM4(CRS0TEST001400) FOR REMOTE TESTING/RESETTING OF DUCT SMOKE DETECTOR. SEE HVAC PLAN FOR MOUNTING LOCATIONS. HSA - ALARM/STROBE CARRIER #6536-G5(CRS0HNSB001400). AUDIBLE/VISUAL SIGNAL DEVICE FOR SIGNALING ALARM OF DUCT SMOKE DETECTOR. SEE HVAC PLAN FOR MOUNTING LOCATIONS.														
<b>ACCESSORIES - O'REILLY SUPPLIED &amp; FIELD INSTALLED</b> TS1 - GRIDPOINT THERMOSTAT. (NO SUBSTITUTIONS). REFER TO EM SHEETS. DS - NON-FUSED DISCONNECT SWITCH. (GRAYBAR/O'REILLY) SUPPLIED W/ ELECTRICAL BILL OF MATERIALS.										<b>ACCESSORIES - FIELD SUPPLIED &amp; FIELD INSTALLED</b> RC1 - ROOF CURB. (12" STANDARD, 14" IN EXTREME SNOW DRIFT AREA'S) ON NEW BUILDING, ROOF CURB IS BY BUILDING MANUFACTURER. ON EXISTING BUILDING, ROOF CURB IS BY GENERAL CONTRACTOR. WEIGHT OF ROOF CURB IS NOT INCLUDED IN THE WEIGHT ABOVE. PPS - PRIMARY PAN SENSOR, AQUAGUARD AG-3180E. (NO SUBSTITUTIONS).														
<b>REMARKS</b> COOLING CAPACITY BASED ON 80°F EDB AND 67°F EWB. CAPACITY BASED ON 95°F AMBIENT TEMPERATURE. NOTE: HVAC COMPLETION, AT CONSTRUCTION COMPLETION: 1. CONTRACTOR SHALL REPLACE ALL RETURN AIR FILTERS INSIDE ALL HVAC UNITS W/CLEAN NEW AIR FILTERS. 2. CONTRACTOR SHALL SUPPLY AN ADDITIONAL CLEAN SET OF FILTERS TO THE OWNER AT JOB COMPLETION. 3. CONTRACTOR SHALL SHOW THE STORE MANAGER THE LOCATION OF & INSTRUCT HIM/HER HOW TO CHANGE ALL AIR FILTERS.																								

NATIONAL ACCOUNT ROOFTOP UNIT SCHEDULE - 5 TON - GAS (3-PHASE) - BY O'REILLY																								
RTU - RESPONSIBILITIES										CALL THE CARRIER CUSTOMER SERVICE REP. BELOW FOR CONFIRMATION OF ORDERS. DO NOT CALL CARRIER FOR QUOTES!														
1.) ALL CARRIER HVAC UNITS ARE OWNER SUPPLIED BY O'REILLY AUTOMOTIVE. 2.) MECHANICAL CONTRACTOR IS RESPONSIBLE FOR THE INSTALLATION OF ALL CARRIER HVAC UNITS. 3.) MECHANICAL CONTRACTOR IS RESPONSIBLE FOR THE FIRST YEAR LABOR WARRANTY ON ALL OWNER SUPPLIED EQUIPMENT. 4.) MECHANICAL CONTRACTORS WORKING ON O'REILLY PROJECTS MUST CALL "CARRIER CORPORATION'S NATIONAL ACCOUNTS" DEPARTMENT FOR CONFIRMATION OF ORDERS ONLY! 5.) MECHANICAL CONTRACTOR IS RESPONSIBLE FOR SCHEDULING, SHIPPING & RECEIVING OF ALL CARRIER UNITS FROM CARRIER NATIONAL ACCOUNTS. CONTACT CUSTOMER SERVICE REP. LISTED TO THE RIGHT.										CARRIER CORPORATION, STRATEGIC ACCOUNTS, CARRIER PARKWAY SYRACUSE, NEW YORK 13221 CUSTOMER SERVICE REPS: MARIA CAMPANELLO 315-432-3946 Maria.campanello@carrier.utc.com ACCOUNT MANAGER: PAUL WITZ 315-432-2481 paul.witz@carrier.utc.com														
MARK	DESCRIPTION	MFR.	CATALOG NUMBER	HTG. MBH STAGE 1	HTG. MBH STAGE 2	TTL. HTG. IN/OUT	THERM. EFF.	CLG. MBH STAGE 1	CLG. MBH STAGE 2	TTL. COOL. TOT./SENS.	IEER	EER	CFM	O.A.	ESP	HP	MCA	MOCP	Wt. (lbs.)	ACCESSORIES	REMARKS	REF. DETL.		
RTU-2	WEATHERMASTER PACKAGED ROOFTOP UNIT 5-TON	CARRIER	48HCTA06K2M5-0F100	120/96	30/24	150/120	80%	60.4	48.0	15.20	12.45	2000	0.6	1.50	208/39	30	45*	750		SEE BELOW	1/2M2			
<b>ACCESSORIES - FACTORY SUPPLIED AND INSTALLED</b> HE - STAINLESS STEEL GAS HEAT EXCHANGER (HIGH HEAT) (15 YR. WARRANTY). SD - RETURN AIR SMOKE DETECTOR. MB - MEDIUM STATIC BLOWER (SINGLE SPEED). HG - LOUVERED HAIL GUARDS. UPO - UN-POWERED CONVENIENCE OUTLET (FIELD POWERED), 15AMP, 120V, GROUND FAULT CIRCUIT INTERRUPTER (GFCI) TYPE. TBEG - THRU-THE-BOTTOM-ELECTRIC & GAS SERVICES. (SEE ROOF TOP UNIT DETAILS) SS - HI & LOW REFRIGERANT SAFETY SWITCHES. (STANDARD ON EVERY UNIT) AF - 2" RETURN AIR FILTERS. (STANDARD ON EVERY UNIT) EC - ENTHALPY ECONOMIZER IV, W/BAROMETRIC RELIEF.										<b>ACCESSORIES - FACTORY SUPPLIED &amp; FIELD INSTALLED</b> CO2 - CO2 SENSOR, WALL MOUNT, #332CSP02L0C-01 CO2/SPACE TEMPERATURE SENSOR WITH LCD DISPLAY & NO OVERRIDE. RTRS - REMOTE TEST/RESET STATION, CARRIER #50-TRM4(CRS0TEST001400) FOR REMOTE TESTING/RESETTING OF DUCT SMOKE DETECTOR. SEE HVAC PLAN FOR MOUNTING LOCATIONS. HSA - ALARM/STROBE CARRIER #6536-G5(CRS0HNSB001400). AUDIBLE/VISUAL SIGNAL DEVICE FOR SIGNALING ALARM OF DUCT SMOKE DETECTOR. SEE HVAC PLAN FOR MOUNTING LOCATIONS.														
<b>ACCESSORIES - O'REILLY SUPPLIED &amp; FIELD INSTALLED</b> TS1 - GRIDPOINT THERMOSTAT. (NO SUBSTITUTIONS). REFER TO EM SHEETS. DS - NON-FUSED DISCONNECT SWITCH. (GRAYBAR/O'REILLY) SUPPLIED W/ ELECTRICAL BILL OF MATERIALS.										<b>ACCESSORIES - FIELD SUPPLIED &amp; FIELD INSTALLED</b> RC1 - ROOF CURB. (12" STANDARD, 14" IN EXTREME SNOW DRIFT AREA'S) ON NEW BUILDING, ROOF CURB IS BY BUILDING MANUFACTURER. ON EXISTING BUILDING, ROOF CURB IS BY GENERAL CONTRACTOR. WEIGHT OF ROOF CURB IS NOT INCLUDED IN THE WEIGHT ABOVE. PPS - PRIMARY PAN SENSOR, AQUAGUARD AG-3180E. (NO SUBSTITUTIONS).														
<b>REMARKS</b> COOLING CAPACITY BASED ON 80°F EDB AND 67°F EWB. CAPACITY BASED ON 95°F AMBIENT TEMPERATURE. NOTE: HVAC COMPLETION, AT CONSTRUCTION COMPLETION: 1. CONTRACTOR SHALL REPLACE ALL RETURN AIR FILTERS INSIDE ALL HVAC UNITS W/CLEAN NEW AIR FILTERS. 2. CONTRACTOR SHALL SUPPLY AN ADDITIONAL CLEAN SET OF FILTERS TO THE OWNER AT JOB COMPLETION. 3. CONTRACTOR SHALL SHOW THE STORE MANAGER THE LOCATION OF & INSTRUCT HIM/HER HOW TO CHANGE ALL AIR FILTERS.																								



FAN SCHEDULE												
MARK	DESCRIPTION	MFR.	CATALOG NUMBER	CFM (NOM)	STATIC PRESS.	MOTOR H.P.	V/PH	MCA	MOCP	ACCESSORIES	REMARKS	REF. DETAIL
EF-1	INLINE EXHAUST FAN	COOK	GN-642	500	0.1	195W	120/1	-	-	BD,DS,WC		-
EF-2	INLINE FAN	COOK	GN-642	500	0.1	195W	120/1	-	-	BD,DS,SS		-
<b>ACCESSORIES</b> BD - GRAVITY BACK DRAFT DAMPER DS - DISCONNECT SWITCH WC - WALL CAP, "COOK" #WCA-6, ALUMINUM SS - FAN SPEED SWITCH "COCK" #FSC (OFFICE ONLY)												
<b>REMARKS</b> ADJUST FOR CFM REQUIRED. EXHAUST FAN SHALL BE WIRED BY THE ELECTRICAL CONTRACTOR TO OPERATE WITH EITHER RESTROOM'S LIGHT SWITCH. FAN IN OFFICE TO BE CONTROLLED BY FAN SPEED SWITCH.												
<b>APPROVED ALTERNATE MANUFACTURER'S</b> FANS: *GREENHECK *CARNES												

GRILLE AND DIFFUSER SCHEDULE											
MARK	DESCRIPTION	MFR.	CATALOG NUMBER	SIZE (in.)	FINISH	MOUNTING	BRANCH DUCT SIZE	ACCESSORIES	REMARKS	REF. DETAIL	
G1	SUPPLY GRILLE	ANEMOSTAT	S2HO	14x14	WHITE	DUCT	SEE PLAN	OB		-	
S1	SUPPLY DIFFUSER	ANEMOSTAT	E-1-D	12x12	WHITE	SURFACE	SEE PLAN	DT		4/M2	
S2	SUPPLY DIFFUSER	ANEMOSTAT	EPL	24x24	WHITE	DUCT/LAY-IN	SEE PLAN			5/M2	
R1	RETURN GRILLE	ANEMOSTAT	GCS	24x24	WHITE	LAY-IN/EXPOSED	SEE PLAN			5/M2	
R2	RETURN GRILLE	ANEMOSTAT	GCS	12x12	WHITE	SURFACE	SEE PLAN			4/M2	
X1	EXHAUST GRILLE	ANEMOSTAT	S3HS	12x12	WHITE	CEILING	SEE PLAN	OB		-	
<b>ACCESSORIES</b> OB - OPPOSED BLADE DAMPER, DIRECTIONAL TABS.											
<b>REMARKS</b> 1-WAY 4-WAY DIRECTIONAL TABS, ADJUST TO PROVIDE THROW AS INDICATED ON PLANS.											
<b>APPROVED ALTERNATE MANUFACTURER'S</b> GRILLES, DIFFUSERS & DAMPERS: *TUTTLE & BAILEY *NAILOR *PRICE INDUSTRIES *ARROW *KRUEGER *CARNES											



© COPYRIGHT 2019-2020 - DESIGNS, DRAWINGS AND SPECIFICATIONS ARE INSTRUMENTS OF SERVICE AND ARE THE PROPERTY OF THE DESIGN PROFESSIONAL. REPRODUCTION PROHIBITED WITHOUT THE EXPRESSED WRITTEN CONSENT OF THE DESIGN PROFESSIONAL.