

STEEL SQUARE POLES

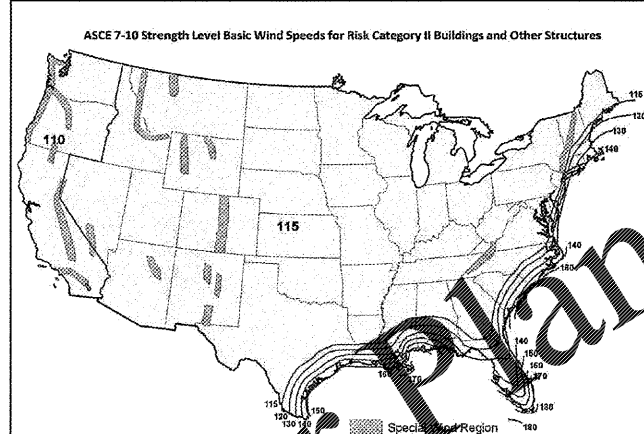
Use ONLY with "Wind Speed Map for ASCE7-10"

Table with columns for POLE (4" to 8" diameter), WIND SPEED (110 MPH to 180 MPH), and BOLT CIRCLES (B, C, D, J). Rows list pole sizes and their corresponding wind speed ratings and bolt circle diameters.

All LSI Industries' poles are guaranteed to meet the EPA requirements listed. LSI Industries is not responsible if a pole order has a lower EPA rating than the indicated wind-loading zone where the pole will be located. CAUTION: This guarantee does not apply if the pole/fracture/construction is used to support any other items such as flags, pennants, or signs, which would add stress to the pole. LSI Industries cannot accept responsibility for harm or damage caused in these situations.

Project Name: Fixture Type: 11/2/17  
Catalog # LSI INDUSTRIES INC.

WINDSPEED MAP FOR ASCE7-10



Wind Speed Map and Pole-EPAs based on ANSI/ASCE 7-10. Please inform LSI if your local code requirements differ, LSI can supply calculations to your local requirements.

- NOTES: 1. Values are the fastest-mile equivalent at 33 ft. (10 m) above ground for exposure Category 2. 2. Linear interpolation between wind speed contours is acceptable. 3. Determine wind direction, wind speed, and exposure category. 4. Friction coefficient (CF) values are based on terrain categories and forces specified in ANSI/ASCE 7-10. 5. Local codes may require wind speeds other than those shown on map.

All LSI Industries' poles are guaranteed to meet the EPA requirements listed. Pole manufacturer is not responsible if a pole order has a lower EPA rating than the indicated wind-loading zone where the pole will be located. CAUTION: This guarantee does not apply if the pole/fracture/construction is used to support any other items such as flags, pennants, or signs, which would add stress to the pole. LSI Industries cannot accept responsibility for harm or damage caused in these situations.

Project Name: Fixture Type: 4/29/17  
Catalog # LSI INDUSTRIES INC.

STEEL SQUARE POLES

POLE ORDERING INFORMATION

Table for Pole Ordering Information with columns: Pole Styles, Material, Height, Mounting Configuration, Pole Finish, and Options. Lists various pole configurations and their specifications.

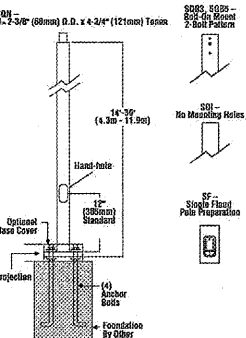
Table for Accessory Ordering Information with columns: Description, Order Number, and Order Number. Lists accessories like base covers, sensors, and lighting brackets.

Table for Bolt Circle with columns: Bolt Circle, B, C, D, J. Includes diagrams for different bolt circle configurations and dimensions.

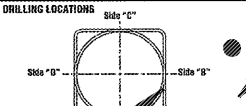
Project Name: Fixture Type: 11/2/17  
Catalog # LSI INDUSTRIES INC.

STEEL SQUARE POLES

DIMENSIONS



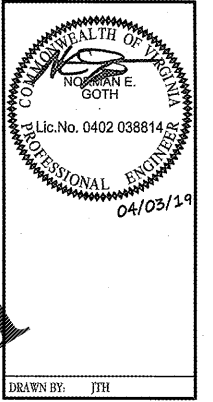
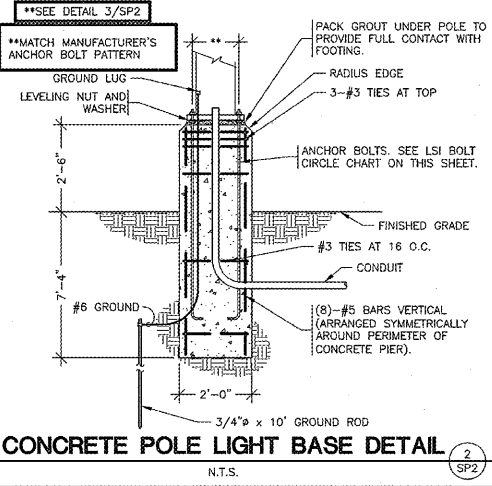
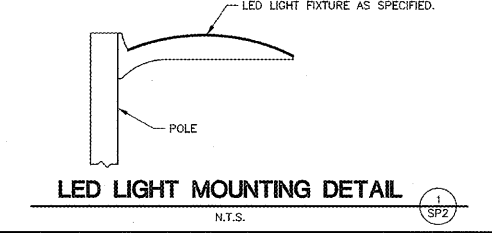
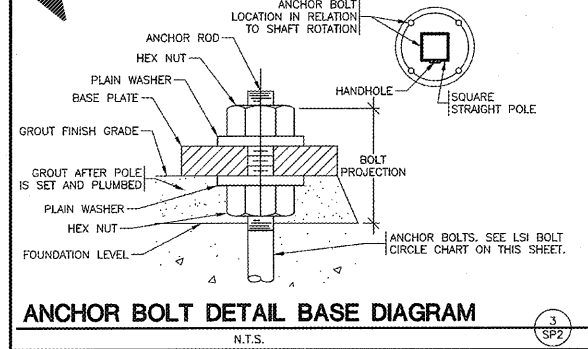
POLE SHAFT - Pole shaft is electro-welded ASTM-A500 Grade C steel tubing with a minimum yield strength of 50,000 psi. On Tension Mount steel poles, tension is 2-3/8" O.D. High-strength pipe. Tension is 4-3/4" in length. Straight poles are 4", 5", and 6" square. HAND-HOLE - Standard hand-hole location is 12" above pole base. Poles 22" and above have a 3" x 6" reinforced hand-hole. Shorter poles have a 2" x 4" non-reinforced hand-hole. BASE - Pole base is ASTM-A36 hot-rolled steel plate with a minimum yield strength of 36,000 psi. Two-piece square base cover is optional. ANCHOR BOLTS - Poles are finished with anchor bolts featuring zinc-plated double nuts and washers. Galvanized anchor bolts are optional. Anchor bolts conform to ASTM F 1554-07a Grade 55 with a minimum yield strength of 55,000 psi. GROUND LUG - Ground lug is standard. DUPLEX RECEPTACLE - Weatherproof duplex receptacle is optional. GROUND FAULT CIRCUIT INTERRUPTER - Self-testing ground fault circuit interrupter is optional. FINISHES - Each pole is finished with DuraGrip®. LSI's baked-on polyester powder finishing process which electrostatically applies and fuses a polyester powder to the pole. Provides an extremely smooth and uniform finish to withstand extreme weather changes without cracking or peeling, and features a five-year limited warranty. DuraGrip® Plus features the added protection of a 3.0 to 5.0 mil thick "primer" polyester powder finish plus an inner coating, as well as a seven-year limited warranty. DETERMINING THE LUMINAIRE/POLE COMBINATION FOR YOUR APPLICATION: • Select luminaire from luminaire ordering information. • Select bracket configuration if required. • Determine EPA value from luminaire/fracture EPA chart. • Select pole height. • Select MPH to match wind speed in the application area (See wind speed maps). • Confirm pole EPA rating to or exceeding that from code above. • Consult luminaire manufacturer for additional requirements and tension brackets.



Shipping Weights - Steel Square Poles table with columns for Pole Diameter, Pole Height, and Weight. Lists weights for various pole sizes and heights.



Project Name: Fixture Type: 11/2/17  
Catalog # LSI INDUSTRIES INC.



Craig A. Schneider, AIA  
ARCHITECT  
173E East Sunshine, Suite 417  
Springfield, Missouri 65804  
417.862.6558  
417.862.2465  
architect@csstertyschneider.com  
e-mail: architect@csstertyschneider.com

PROJECT: NEW O'Reilly AUTO PARTS STORE  
(290 O'CONNOR ROAD 03-25-19)  
FREDERICKSBURG, VA #4  
SITE LIGHTING DETAILS

O'Reilly AUTO PARTS  
CORPORATE OFFICES  
233 SOUTH PATTERSON  
SPRINGFIELD, MISSOURI 65802  
(417) 862-2674 TELEPHONE

COMM # 4251  
DATE: 11-02-18  
REVISION  
DATE:  
5-25-19



3855 S. JEFFERSON AVE. P: 417-882-2200  
SPRINGFIELD, MO 65807 F: 417-882-1188  
WWW.SMITHGOTHENGINEERS.COM