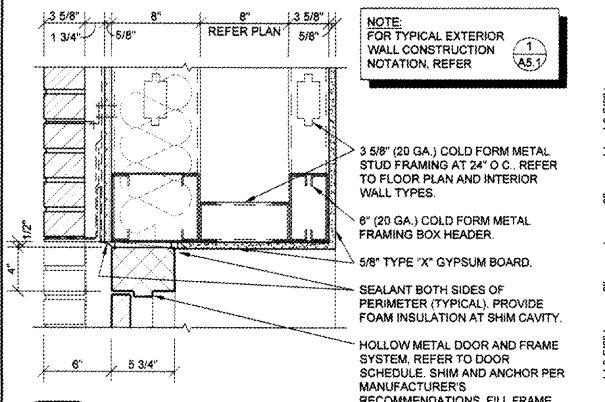
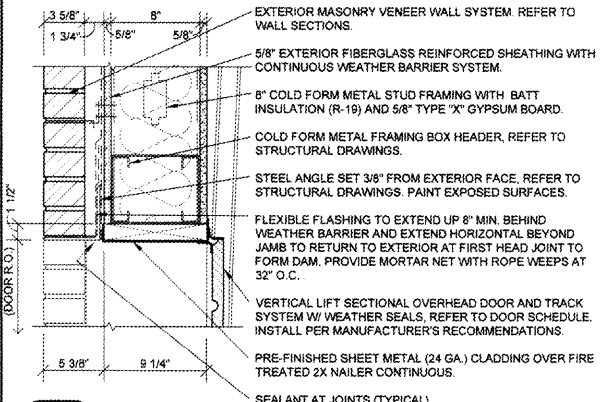


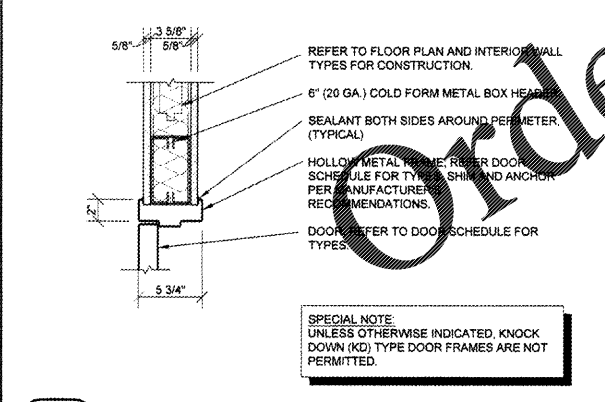
1 HEAD DETAIL
A5.1 SCALE: 1 1/2" = 1'-0"



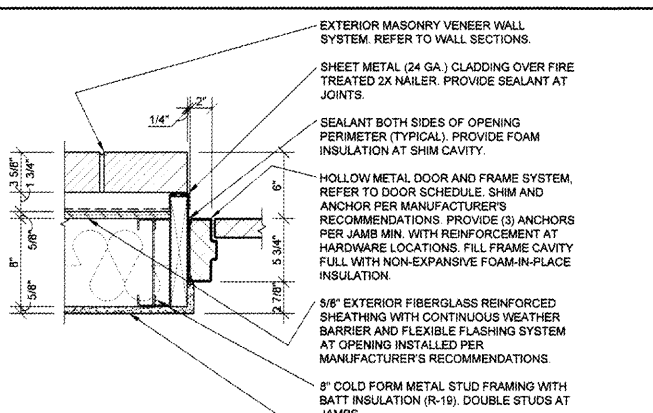
3 HEAD DETAIL
A5.1 SCALE: 1 1/2" = 1'-0"



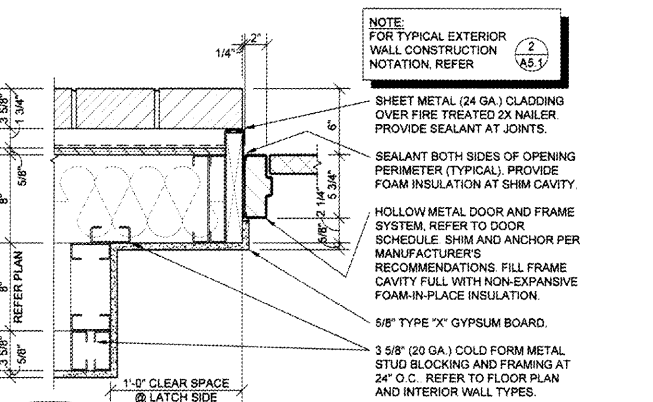
5 HEAD DETAIL
A5.1 SCALE: 1 1/2" = 1'-0"



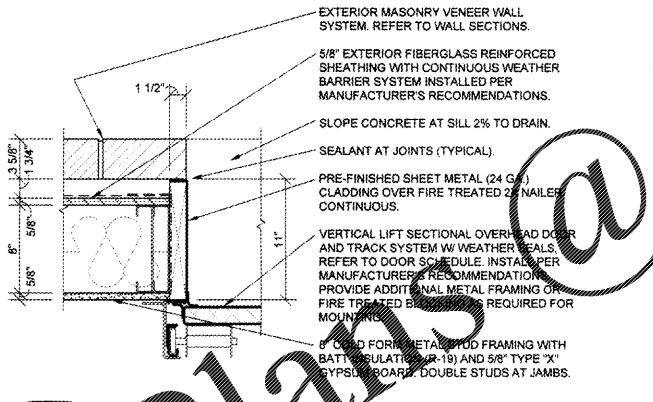
7 HEAD DETAIL
A5.1 SCALE: 1 1/2" = 1'-0"



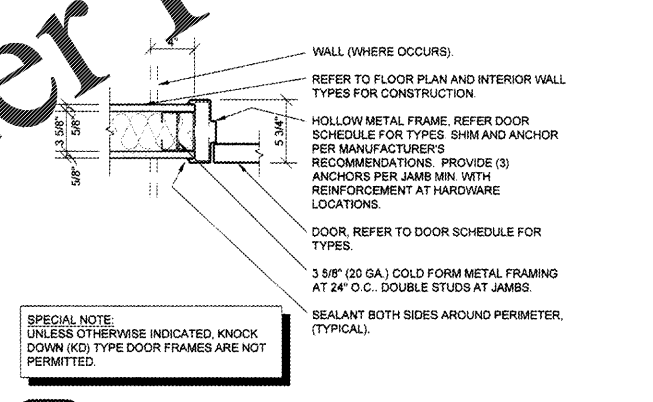
2 JAMB DETAIL
A5.1 SCALE: 1 1/2" = 1'-0"



4 JAMB DETAIL
A5.1 SCALE: 1 1/2" = 1'-0"



6 JAMB DETAIL
A5.1 SCALE: 1 1/2" = 1'-0"



8 JAMB DETAIL
A5.1 SCALE: 1 1/2" = 1'-0"

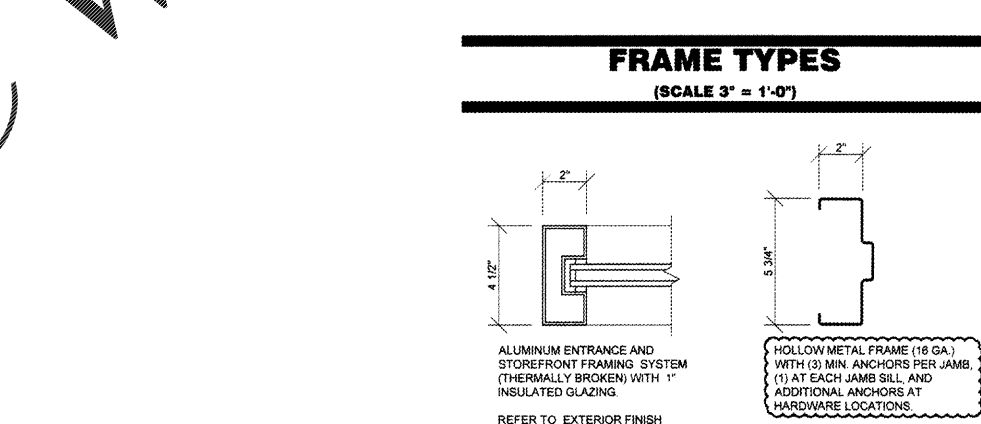
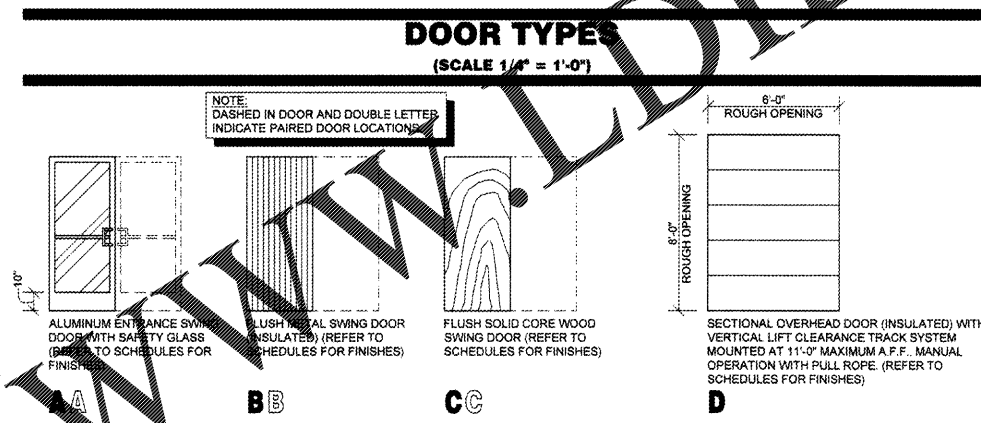
DOOR SCHEDULE

MK	DOOR			DOOR HARDWARE		FRAME		DETAILS			REMARKS (REFER NOTES)		
	SIZE (W x H x D)	TYPE	SWING	GLAZ. TYPE	SET #	KEYED	TYPE	MATERIAL	HEAD WIDTH	HEAD		JAMB	SILL
1	3'-0" X 7'-0" X 1-3/4"	A	REFER TO FLOOR PLAN	ALUMINUM	1	1	A	1	ALUMINUM	4/A5.2	4/A5.2	5/A5.2	1, 2
2	3'-0" X 7'-0" X 1-3/4"	B	REFER TO FLOOR PLAN	INSULATED METAL	2	A	2	2	INSULATED METAL	1/A5.1	2/A5.1	5/A5.2 SIM	1, 2, 3
3	6'-0" X 8'-0"	D	SECTIONAL OVERHEAD	INSULATED METAL	3			3	MANUFACTURER'S STANDARDS	5/A5.1	8/A5.1		1
4	3'-0" X 7'-0" X 1-3/4"	C	REFER TO FLOOR PLAN	SOLID WOOD	4			2	HOLLOW METAL	7/A5.1	8/A5.1		1, 4
5	3'-0" X 7'-0" X 1-3/4"	C	REFER TO FLOOR PLAN	SOLID WOOD	5			2	HOLLOW METAL	7/A5.1	8/A5.1		1, 4
6	3'-0" X 7'-0" X 1-3/4"	C	REFER TO FLOOR PLAN	SOLID WOOD	5			2	HOLLOW METAL	7/A5.1	8/A5.1		1, 4
7	3'-0" X 7'-0" X 1-3/4"	B	REFER TO FLOOR PLAN	INSULATED METAL	6			2	INSULATED METAL	3/A5.1	4/A5.1	5/A5.2 SIM	1, 3
8	3'-0" X 7'-0" X 1-3/4"	A	REFER TO FLOOR PLAN	ALUMINUM	2	7		1	ALUMINUM	4/A5.2	4/A5.2	5/A5.2 SIM	1

NOTES:
 1. ALL DOORS SHALL BE SHOP PREPARED FOR HARDWARE.
 2. ALL EXTERIOR DOORS TO BE KEYPED ALIKE. CONTRACTOR TO FIELD VERIFY AND MATCH CORE OF DOOR MARKED "2".
 3. EXTERIOR DOOR, FRAME AND HARDWARE OWNER FURNISHED AND CONTRACTOR INSTALLED. REFER TO SCOPE OF WORK SCHEDULE.
 4. CONTRACTOR'S OPTION TO PURCHASE INTERIOR DOORS, FRAMES, AND HARDWARE THROUGH PREFERRED VENDOR. REFER TO SCOPE OF WORK SCHEDULE.

LOCKNET
 100 COURCHELLE DRIVE
 NICHOLASVILLE, KY 40358
 CONTACT: PAM PEEL
 PHONE 606-887-4307 EXT 133
 FAX 606-887-5468
 EMAIL: construction@locknet.com

SPECIAL NOTE:
 UNLESS OTHERWISE INDICATED, KNOCK DOWN (KD) TYPE DOOR FRAMES ARE NOT PERMITTED.



DOOR HARDWARE SCHEDULE

HARDWARE NOTES:
 1. ALL HARDWARE TO BE ADA AND ANSI COMPLIANT.
 2. VERIFY COMPATIBILITY OF HARDWARE SPECIFIED. NOTIFY ARCHITECT OF INCOMPATIBILITY ISSUES PRIOR TO ORDERING AND INSTALLATION.

SET NO. 1 (DR. 1)
 1 CYLINDER: 20-062 X 620 - "E" KEYWAY (REMOVABLE CORE).....SCHLAGE

(FOLLOWING REQUIRED HARDWARE FURNISHED WITH WINDOW FRAMING DOOR SYSTEM)
 1 PAIR OFFSET PIVOTS: 185/188 X 620.....LON
 1 DEADLOCK: MS1805 X 620.....ADAMS RITE
 1 DEADLOCK LEVER: 4550 X 620.....ADAMS RITE
 1 STRIKE: MS4002 X 620.....ADAMS RITE
 1 SET PUSH/PULLS: 88-151 ULTRALINE W/ OFFSET PULL X 620.....EFCO
 1 CLOSER: 4041-3077-187J-TB X 620 (ADJ. TO 5 LBS.).....LON
 1 SET PERIMETER GASKETS: POLYMERIC BULB X LENGTH REQUIRED.....PEMKO
 1 SWEEP: 345AP X LENGTH REQUIRED.....PEMKO
 1 THRESHOLD: 270A X LENGTH REQUIRED (OFFSET PIVOT COMPATIBLE) (ANSI & ADA COMPLIANT).....PEMKO

SET NO. 2 (DR. 2)
 1 CONTINUOUS HINGE: 720-12HD X LENGTH REQUIRED X 620.....HAGER
 1 CYLINDER: 20-062 X 620 - "E" KEYWAY (REMOVABLE CORE).....SCHLAGE
 1 PROVIDE (2) SECURITY KEYS (1) CORE KEY, (1) BITTED
 1 EXIT PANIC LOCK: 9300BX 486 X 620 - PRT03 X 630 (THROUGH SEX BOLT MOUNTING).....DORMA
 1 CLOSER: 881500 8 3/4 X 620 (ADJ. TO 5 LBS.).....DORMA
 1 SET PERIMETER GASKETS: QEBD-500 X LENGTH REQUIRED.....SCHLEGEL
 1 LATCH GUARD: LG1002/SF X 620 (STRAIGHT W/ PIN AND SEX BOLTS).....LATCHGUARD
 1 VIEWER: 698 - 190 X 620.....IVES
 1 DOOR BOTTOM SEAL: 31321 X LENGTH REQUIRED.....GLOBAL
 1 THRESHOLD: 31206 X LENGTH REQUIRED.....GLOBAL

SET NO. 3 (DR. 3)
 REQUIRED HARDWARE FURNISHED WITH OVERHEAD DOOR SYSTEM (LOCKING FROM INSIDE ONLY)
 1 HINGE: EC8B1100 X 4 1/2" X 4 1/2" X 626 X NRP.....HAGER
 1 EXIT ONLY PANIC LOCK: 8300B X 486 X 689.....DORMA
 1 CLOSER: 5300MLT X 689 (ADJ. TO 5 LBS.).....HAGER
 1 SET PERIMETER GASKETS: QEBD-500 X LENGTH REQUIRED.....SCHLEGEL
 1 LATCH GUARD: LG1002/SF X 620 (STRAIGHT W/ PIN W/ SEX BOLTS).....LATCHGUARD
 1 DOOR BOTTOM SEAL: 31321 X LENGTH REQUIRED.....GLOBAL
 1 THRESHOLD: 31206 X LENGTH REQUIRED.....GLOBAL

SET NO. 4 (DR. 4)
 1 HINGE: BB1278 X 4 1/2" X 4 1/2" X US28D.....HAGER
 1 PRIVACY LOCK LEVER HANDLE: AU3021L X 620.....YALE
 1 WALL BUMPER: 408 X US28D.....ROCKWOOD

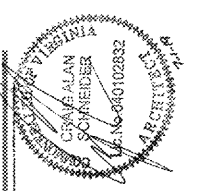
SET NO. 5 (DR. 5, 6)
 1 HINGE: BB1278 X 4 1/2" X 4 1/2" X US28D.....HAGER
 1 PRIVACY LOCK LEVER HANDLE: AU3021L X 620.....YALE
 1 WALL BUMPER: 408 X US28D.....ROCKWOOD

SET NO. 6 (DR. 7)
 3 HINGE: EC8B1100 X 4 1/2" X 4 1/2" X 626 X NRP.....HAGER
 1 EXIT ONLY PANIC LOCK: 8300B X 486 X 689.....DORMA
 1 CLOSER: 5300MLT X 689 (ADJ. TO 5 LBS.).....HAGER
 1 SET PERIMETER GASKETS: QEBD-500 X LENGTH REQUIRED.....SCHLEGEL
 1 LATCH GUARD: LG1002/SF X 620 (STRAIGHT W/ PIN W/ SEX BOLTS).....LATCHGUARD
 1 DOOR BOTTOM SEAL: 31321 X LENGTH REQUIRED.....GLOBAL
 1 THRESHOLD: 31206 X LENGTH REQUIRED.....GLOBAL

SET NO. 7 (DR. 8)
 (FOLLOWING REQUIRED HARDWARE FURNISHED WITH WINDOW FRAMING DOOR SYSTEM)
 1 PAIR OFFSET PIVOTS: 185/188 X US26D.....RIXON
 1 SET PUSH/PULLS: 88-151 ULTRALINE W/ OFFSET PULL X US26D.....EFCO
 1 CLOSER: 4041-3077-187J-TB X AL (ADJ. TO 5 LBS.).....LON
 1 SET PERIMETER GASKETS: POLYMERIC BULB X LENGTH REQUIRED.....PEMKO

GENERAL NOTES

(A) REFER TO PROJECT MANUAL FOR ADDITIONAL REQUIREMENTS.
 (B) REFER TO BUILDING CODE SUMMARY FOR PROJECT STRUCTURAL DESIGN CRITERIA. DOOR FRAMING AND ANCHORING SYSTEMS SHALL BE DESIGNED BY MANUFACTURER TO CONFORM TO PERFORMANCE AND TESTING REQUIREMENTS SPECIFIED.
 (C) REFER TO FLOOR PLAN, ELEVATIONS, AND SECTIONS FOR ADDITIONAL REQUIREMENTS.
 (D) REFER TO EXTERIOR AND INTERIOR FINISH SCHEDULES FOR COLORS. PERIMETER SEALANT COLOR TO MATCH FRAME COLOR UNLESS OTHERWISE INDICATED.



CRIG A. SCNEIDER, AIA
ARCHITECT
 417-862-8558
 417-862-3265
 FAX: 417-862-3265
 E-MAIL: architect@csnider.com
 1736 East Sunshine, Suite 417
 Springfield, Missouri 65804

PROJECT:
NEW O'REILLY AUTO PARTS STORE
290 DEACON ROAD
FREDERICKSBURG, VA #4
DOOR SCHEDULE

O'Reilly AUTO PARTS
 CORPORATE OFFICES
 233 SOUTH PATTERSON
 SPRINGFIELD, MISSOURI 65802
 (417) 862-2674 TELEPHONE

COMM # 4351
 DATE: 11-2-18
 REVISION
 DATE: 3-25-19
 7-1-19

A5.1