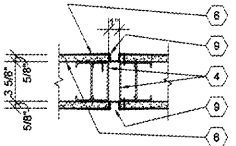
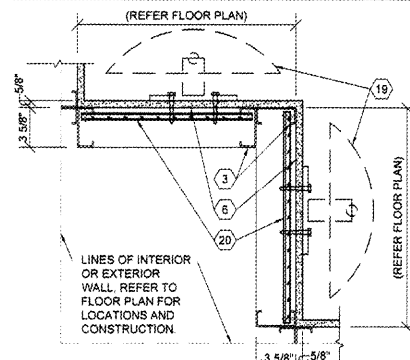


SPECIAL NOTE:  
COLD FORM FRAMING TO BE INDEPENDENT  
ACROSS JOINT. REFER STRUCTURAL  
DRAWINGS. INSTALL REVEALS PER  
MANUFACTURER'S RECOMMENDATIONS.



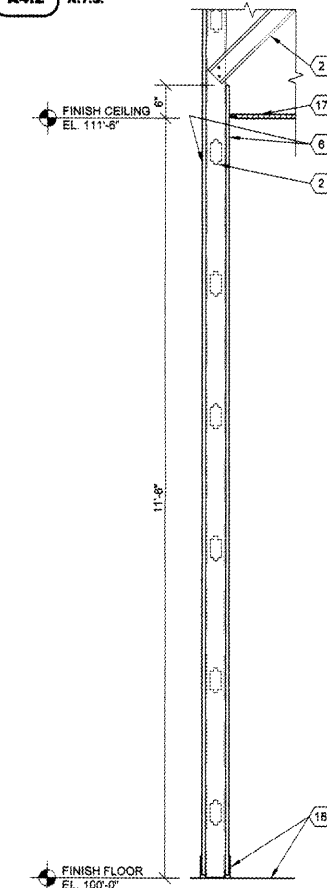
**2 GYPSUM BOARD C.J. DETAIL**  
A4.2 SCALE: 1 1/2" = 1'-0"



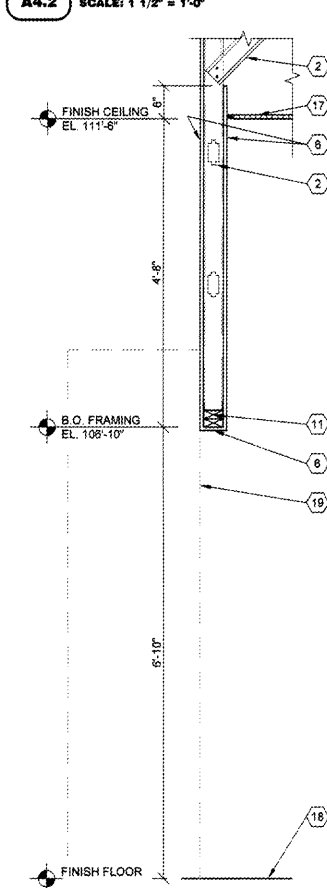
**4 FRAMING DETAIL**  
A4.2 SCALE: 1 1/2" = 1'-0"

**1 NOT USED**  
A4.2 N.T.S.

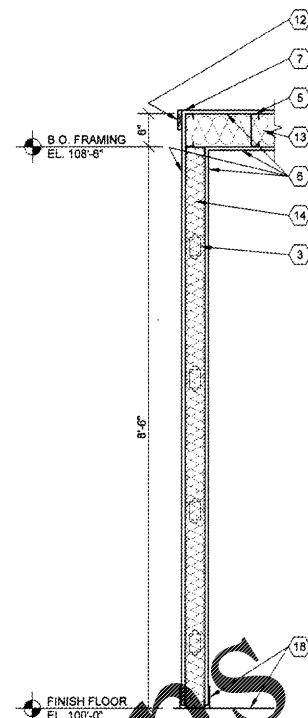
**3 NOT USED**  
A4.2 N.T.S.



**5 INTERIOR WALL SECTION**  
A4.2 SCALE: 3/4" = 1'-0"

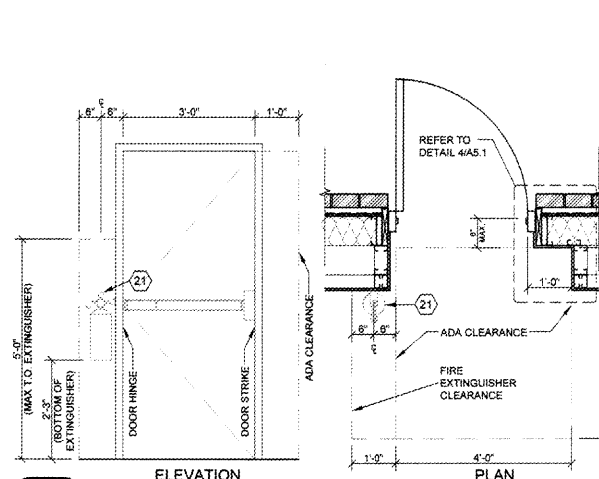


**6 INTERIOR WALL SECTION**  
A4.2 SCALE: 3/4" = 1'-0"

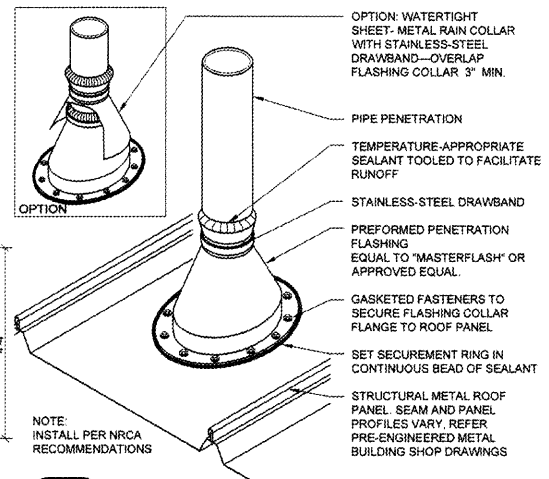


**7 INTERIOR WALL SECTION**  
A4.2 SCALE: 3/4" = 1'-0"

**8 NOT USED**  
A4.2 N.T.S.



**10 FIRE EXTINGUISHER DETAIL**  
A4.2 SCALE: 1/2" = 1'-0"



**11 VENT THRU ROOF DETAIL**  
A4.2 NOT TO SCALE

**GENERAL NOTES**

- (A) REFER TO PROJECT MANUAL FOR ADDITIONAL REQUIREMENTS.
- (B) DIMENSIONS ARE TO ROUGH FACE OF CONCRETE, MASONRY, FRAMING, OR CENTER LINE OF STRUCTURE UNLESS OTHERWISE INDICATED.
- (C) REFER TO INTERIOR FINISH SCHEDULES FOR MATERIAL TYPES, COLORS AND FINISHES.

**KEY NOTES**

- (1) PRE-ENGINEERED METAL BUILDING STRUCTURAL STEEL COLUMN. REFER TO P.E.M.B. SHOP DRAWINGS FOR ADDITIONAL REQUIREMENTS (PAINT WHERE INDICATED).
- (2) 3 5/8" COLD FORM METAL FRAMING ATTACHED TO ROOF STRUCTURE. REFER TO STRUCTURAL DRAWINGS FOR FRAMING REQUIREMENTS.
- (3) 3 5/8" (20 GA.) COLD FORM METAL FRAMING AT 24" O.C. REFER TO INTERIOR WALL TYPES FOR ADDITIONAL REQUIREMENTS.
- (4) COLD FORM METAL STUDS DOUBLED AT CONTROL JOINT.
- (5) 6" (800S162-54) COLD FORM METAL CEILING JOIST FRAMING AT 24" O.C.
- (6) 5/8" TYPE "X" GYPSUM BOARD. REFER TO INTERIOR WALL TYPES AND FOR ADDITIONAL REQUIREMENTS.
- (7) GYPSUM BOARD CORNER BEAD CONTINUOUS.
- (8) GYPSUM BOARD "J" MOLDING CONTINUOUS.
- (9) GYPSUM BOARD CONTINUES EXPANSION JOINT. PROVIDE FRY REGLET "DRMF-625-75" AND "JDM-625" AT JOINT ON BOTH SIDES OF WALL.
- (10) FIRE TREATED 2X NAILERS OR BLOCKING.
- (11) (2) FIRE TREATED 2X NAILERS.
- (12) 1X4 WOOD TRIM (PAINT GRADE PINE) ATTACHED TO METAL STUD FRAMING WITH TECH 12 SCREWS AT 24" O.C. SET FLUSH. PAINT EXPOSED SURFACES TO MATCH WALL FINISH.
- (13) 5" UNFACED SOUND BATT INSULATION.
- (14) 3 1/2" UNFACED SOUND BATT INSULATION.
- (15) ALUMINUM WINDOW SYSTEM. REFER TO FLOOR PLAN AND WINDOW SCHEDULE FOR TYPES.
- (16) PRE-FINISHED SHEET METAL (24 GA.) COLUMN ENCLOSURE TO EXTEND THRU FINISH CEILING SYSTEM. COLOR TO MATCH WINDOW FRAMING FINISH. NO EXPOSED HORIZONTAL SEAMS PERMITTED.
- (17) EXPOSED ACOUSTICAL LAY - IN CEILING GRID SYSTEM. REFER TO INTERIOR FINISH SCHEDULE FOR TYPES AND LOCATIONS.
- (18) FINISH FLOORING AND BASE. REFER TO INTERIOR FINISH SCHEDULE FOR TYPES AND LOCATIONS.
- (19) OWNER FURNISHED AND INSTALLED FIXTURE. REFER TO INTERIOR FINISH PLAN FOR LAYOUT. (REFER TO SCOPE OF WORK SCHEDULE.)
- (20) SURFACE MOUNTED PORTABLE FIRE EXTINGUISHER. FIRE EXTINGUISHERS SHALL BE UL LISTED ABC TYPE WITH 10 LBS. CAPACITY. SURFACE MOUNTING BRACKET QUICK RELEASE TYPE. REFER TO FLOOR PLAN FOR LOCATIONS. PROVIDE BLOCKING AS REQUIRED FOR MOUNTING.
- (21) TACTILE EXIT SIGN AT EXIT DISCHARGE DOOR STATING "EXIT" WITH BRAILLE (GRADE 2 CONTRACTED) LETTERING. SIGN CONSTRUCTION AND LOCATION TO COMPLY WITH ACCESSIBILITY CODE. MOUNT 48" MINIMUM ABOVE FINISH FLOOR TO BOTTOM OF LOWEST TACTILE CHARACTER AND 60" MAXIMUM ABOVE FINISH FLOOR TO BOTTOM OF HIGHEST TACTILE CHARACTER. REFER TO FLOOR PLAN FOR ADDITIONAL REQUIREMENTS.

Order Plans @ www.LDILine.com



**CRAIG A. SCHNEIDER, AIA**  
ARCHITECT  
1736 East Venable, Suite 417  
Springfield, Missouri 65804  
417-862-9586  
Fax: 417-862-3265  
e-mail: architect@estheticschneider.com

PROJECT:  
**NEW O'REILLY AUTO PARTS STORE**  
290 DEACON ROAD  
FREDERICKSBURG, VA #4  
**INTERIOR SECTIONS & DETAILS**

**O'Reilly AUTO PARTS**  
CORPORATE OFFICES  
233 SOUTH PATTERSON  
SPRINGFIELD, MISSOURI 65802  
(417) 862-2674 TELEPHONE

COMM #	4251
DATE:	11-2-18
REVISION	
DATE:	3-25-19
	7-1-19