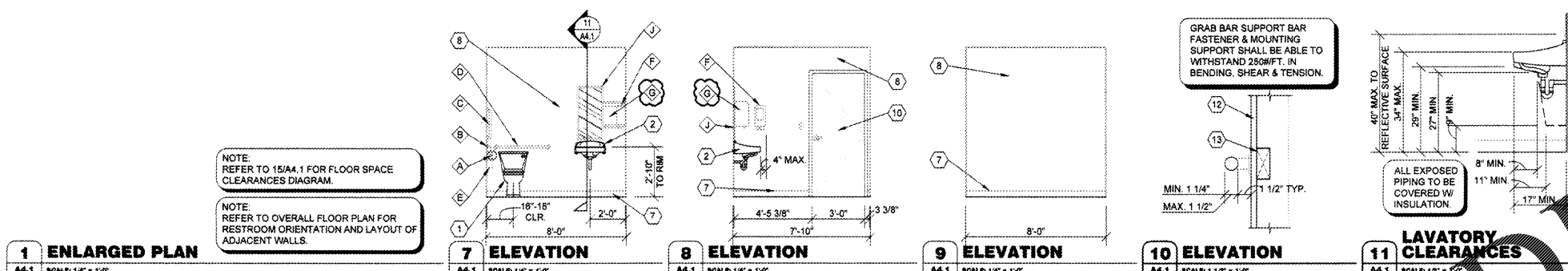
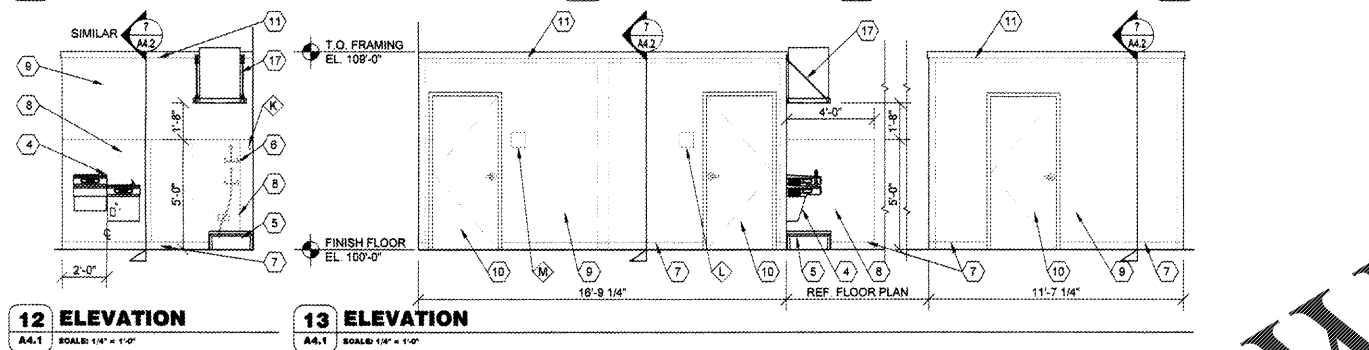
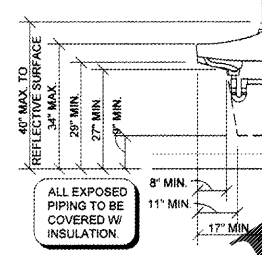


NOTE: REFER TO 15/A4.1 FOR FLOOR SPACE CLEARANCES DIAGRAM.

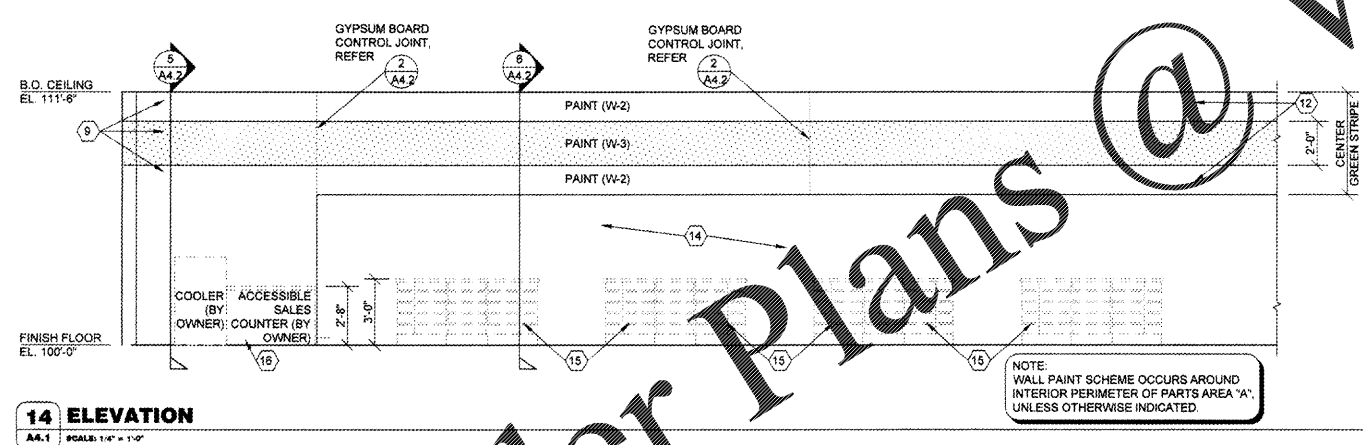
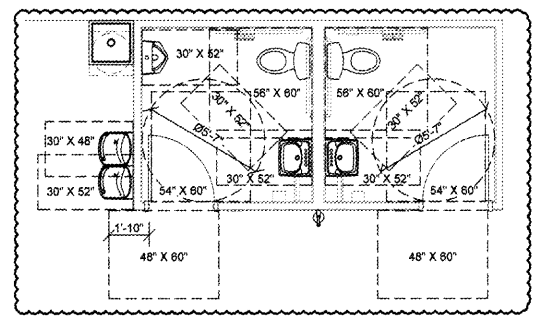
NOTE: REFER TO OVERALL FLOOR PLAN FOR RESTROOM ORIENTATION AND LAYOUT OF ADJACENT WALLS.



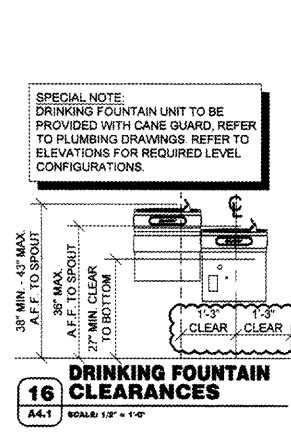
GRAB BAR SUPPORT BAR FASTENER & MOUNTING SUPPORT SHALL BE ABLE TO WITHSTAND 250#/FT. IN BENDING, SHEAR & TENSION.



NOTE: ALL DIMENSIONS SHOWN ON THIS PLAN ARE CLEAR DIMENSIONS FROM THE FACE OF THE FINISH.



NOTE: WALL PAINT SCHEME OCCURS AROUND INTERIOR PERIMETER OF PARTS AREA 'A', UNLESS OTHERWISE INDICATED.



SPECIAL NOTE: DRINKING FOUNTAIN UNIT TO BE PROVIDED WITH CANE GUARD. REFER TO PLUMBING DRAWINGS REFER TO ELEVATIONS FOR REQUIRED LEVEL CONFIGURATIONS.

GENERAL NOTES

- A REFER TO PROJECT MANUAL FOR ADDITIONAL REQUIREMENTS.
- B LAYOUT DIMENSIONS OF PLUMBING FIXTURES AND ACCESSORIES ARE TO FACE OF GYPSUM BOARD OR CENTER LINE OF FIXTURE. LAYOUT DIMENSIONS OF WALLS AND CEILINGS ARE TO ROUGH FACE OF FRAMING, MASONRY, OR CENTER LINE OF STRUCTURE. ALL GYPSUM BOARD IS 5/8" THICK, UNLESS OTHERWISE INDICATED. DIMENSIONS NOT SHOWN FOR CLARITY.
- C REFER TO PLUMBING DRAWINGS FOR FIXTURE TYPES AND ADDITIONAL REQUIREMENTS. PROVIDE ADDITIONAL COLD FORM METAL FRAMING OR FIRE TREATED BLOCKING AS REQUIRED FOR PROPER SUPPORT.
- D REFER TO INTERIOR FINISH SCHEDULES FOR MATERIAL FINISH TYPES AND LOCATIONS.
- E ALL EXPOSED PIPING BELOW SINKS TO BE COVERED WITH INSULATION.

KEY NOTES

- 6 EYE WASH STATION. INSTALL WITH TOP AT 48" ABOVE FINISH FLOOR.
- 7 BASE. REFER TO FINISH SCHEDULE.
- 8 SANITARY WALL PANEL SYSTEM. REFER TO FINISH SCHEDULE. PROVIDE TRIM AND EDGE MOLDING AROUND PERIMETER. ATTACH TO SUBSTRATE AS REQUIRED.
- 9 PAINT. REFER TO FINISH SCHEDULE.
- 10 DOOR. REFER TO DOOR AND FINISH SCHEDULES.
- 11 WOOD TRIM. PAINT.
- 12 WALL CONSTRUCTION. REFER TO FLOOR PLAN FOR TYPE.
- 13 FIRE TREATED 2" WOOD BLOCKING.
- 14 WALL OPENING TO BEYOND. REFER TO FLOOR PLAN.
- 15 OWNER FURNISHED AND INSTALLED FURNISHING, SHELVING, OR FIXTURE. FOR REFERENCE ONLY (N.I.C.)
- 16 OWNER FURNISHED AND INSTALLED ACCESSIBLE CUSTOMER SERVICE COUNTER TO COMPLY WITH ACCESSIBILITY REQUIREMENTS. FOR REFERENCE ONLY (N.I.C.)
- 17 WALL MOUNTED WATER HEATER AND SUPPORT PLATFORM. REFER TO PLUMBING DRAWINGS. PROVIDE FIRE TREATED BLOCKING OR ADDITIONAL COLD FORM FRAMING AS REQUIRED FOR INSTALLATION.

KEY NOTES

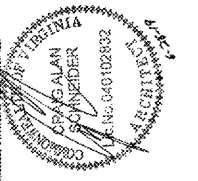
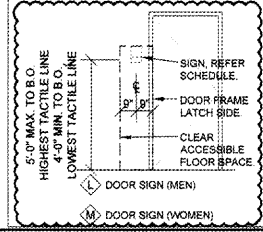
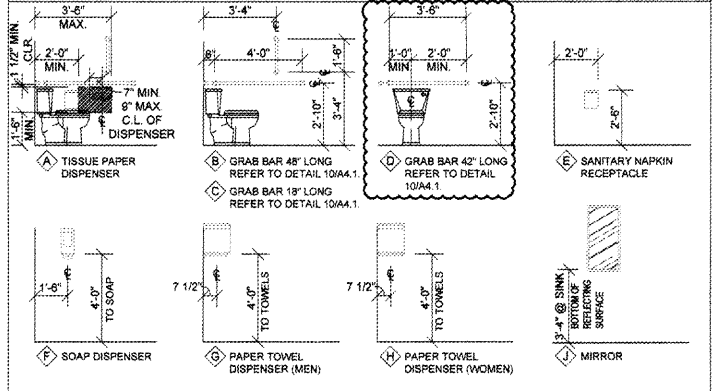
- 1 WATER CLOSET. ACCESSIBLE SEAT HEIGHT TO TOP OF SEAT. MAX. 17" MINIMUM. 19" MAXIMUM A.F.F. ACCESSIBLE FIXTURE WASH CONTROLS TO BE ON WIDE SIDE OF BILET.
- 2 WALL HUNG LAVATORY.
- 3 WALL HUNG URINAL. MOUNT RIM 1'-5" MAXIMUM ABOVE FINISH FLOOR.
- 4 HIGH / LOW DRINKING FOUNTAIN. REFER TO DETAIL 10/A4.1.
- 5 FLOOR MOUNTED MOP BASIN.

ACCESSORY SCHEDULE

MK	DESCRIPTION	MANUFACTURER	SERIES / MODEL	MOUNTING LOCATION	ACCESSORY NOTES
A	TISSUE PAPER DISPENSER	GEORGIA PACIFIC	58783A	REFER TO PLANS, ELEVATIONS, LEGEND	NOTE 2
B	GRAB BAR	BOBRICK	86806 x 48"	REFER TO PLANS, ELEVATIONS, LEGEND	
C	GRAB BAR	BOBRICK	86806 x 18"	REFER TO PLANS, ELEVATIONS, LEGEND	
D	GRAB BAR	BOBRICK	86806 x 42"	REFER TO PLANS, ELEVATIONS, LEGEND	
E	SANITARY NAPKIN RECEPTACLE	BOBRICK	B-270	REFER TO PLANS, ELEVATIONS, LEGEND	WOMEN'S RESTROOM ONLY
F	SOAP DISPENSER	GOJO	PRO 2000	REFER TO PLANS, ELEVATIONS, LEGEND	NOTE 2
G	PAPER TOWEL DISPENSER (MEN)	GEORGIA PACIFIC	59460A	REFER TO PLANS, ELEVATIONS, LEGEND	NOTE 2
H	(NOTE USED)				
J	MIRROR	BOBRICK	B-185-1836 18" W X 36" H	REFER TO PLANS, ELEVATIONS, LEGEND	
K	MOP HANGER	REFER TO PLUMBING DRAWINGS	REFER TO PLUMBING DRAWINGS	48" A.F.F. TO CENTER	
L	DOOR SIGN (MEN)	ROCKWOOD	BFM887	REFER TO PLANS, ELEVATIONS, LEGEND	WHITE TEXT ON BLACK BACKGROUND
M	DOOR SIGN (WOMEN)	ROCKWOOD	BFM888	REFER TO PLANS, ELEVATIONS, LEGEND	WHITE TEXT ON BLACK BACKGROUND

ACCESSORY GENERAL NOTES:
1 CONTRACTOR TO PROVIDE FIRE TREATED WOOD BLOCKING FOR INSTALLATION OF TOILET ACCESSORIES, INCLUDING OWNER FURNISHED AND CONTRACTOR INSTALLED ACCESSORIES. COORDINATE REQUIREMENTS WITH OWNER.
2 ACCESSORY OWNER FURNISHED AND CONTRACTOR INSTALLED. REFER TO SCOPE OF WORK SCHEDULE FOR ADDITIONAL REQUIREMENTS.

ACCESSORY MOUNTING LEGEND



CRAIG A. SCHNEIDER, AIA
ARCHITECT
1736 East Sunshine, Suite 417
Springfield, Missouri 65804
417.862.0558
417.862.3265
e-mail: architect@craigschneider.com

PROJECT:
NEW O'REILLY AUTO PARTS STORE
290 DEACON ROAD
FREDERICKSBURG, VA #4
INTERIOR ELEVATIONS

O'Reilly AUTO PARTS
CORPORATE OFFICES
233 SOUTH PATTERSON
SPRINGFIELD, MISSOURI 65802
(417) 862-2674 TELEPHONE

COMM #	4251
DATE:	11-2-18
REVISION	
DATE:	11-14-18
	3-25-19
	6-28-19