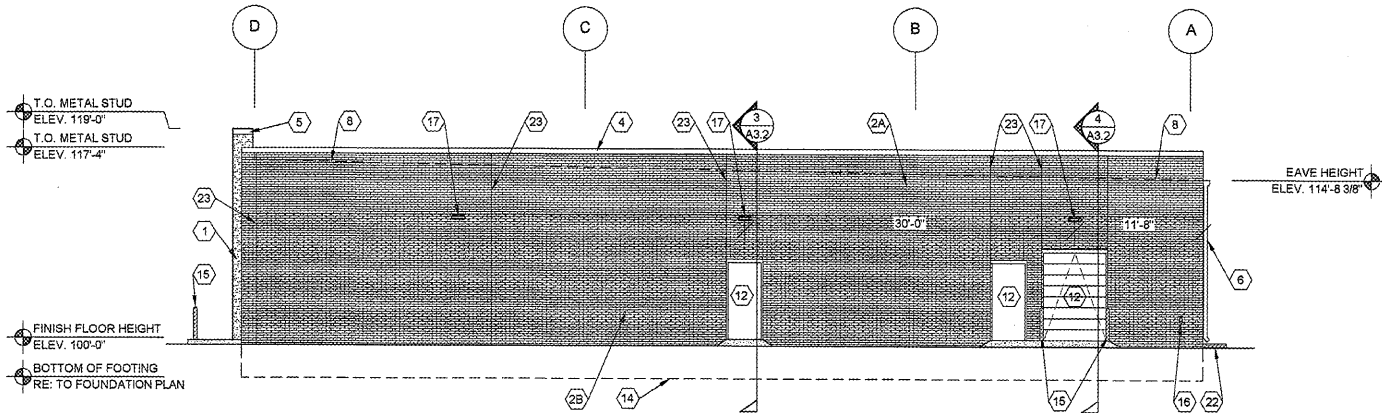


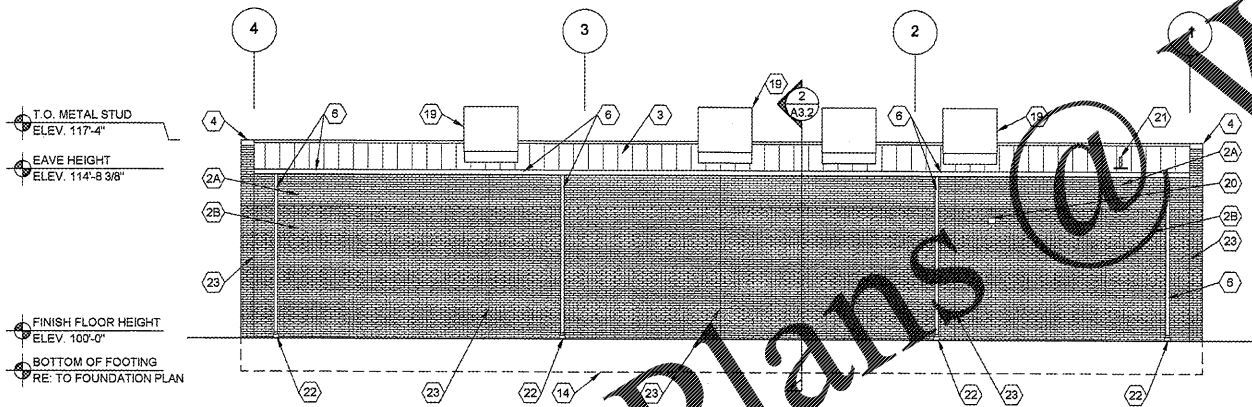
**1 NORTH EXTERIOR ELEVATION**

A2.1 SCALE: 1/8" = 1'-0"



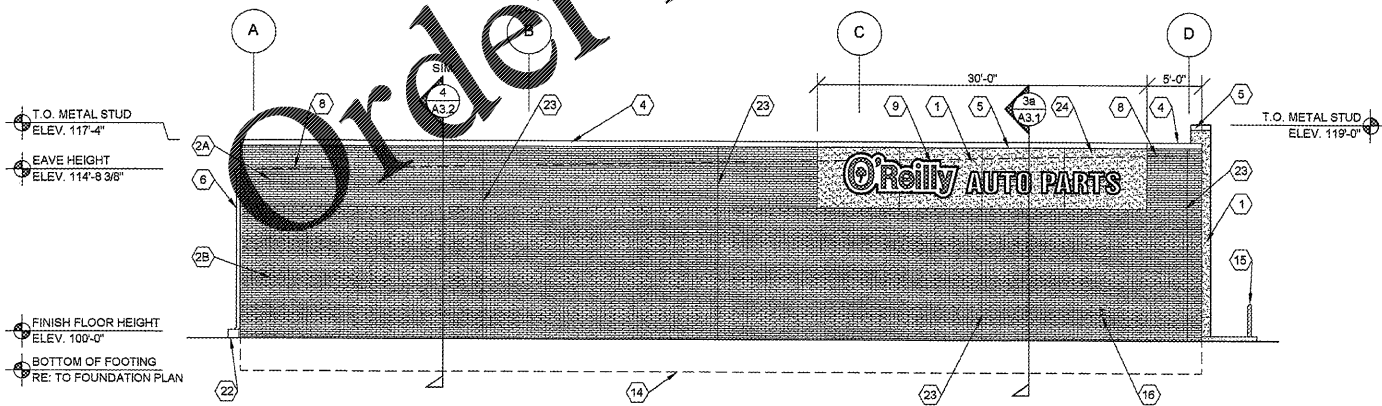
**2 WEST EXTERIOR ELEVATION**

A2.1 SCALE: 1/8" = 1'-0"



**3 SOUTH EXTERIOR ELEVATION**

A2.1 SCALE: 1/8" = 1'-0"



**4 EAST EXTERIOR ELEVATION**

A2.1 SCALE: 1/8" = 1'-0"

**EXTERIOR FINISH SCHEDULE**

**EXTERIOR INSULATION AND FINISH SYSTEM (EIFS)**  
**KEY NOTE NO. 1:**  
 MFG: DRYVIT SPECIFIED, EQUAL BY STO OR BASF (NO SUBSTITUTES)  
 SERIES: OUTSULATION PLUS MD  
 TEXTURE: SANDBLAST  
 COLOR: DRYVIT "ORAP011030S" STRATOTONE HIGH PERFORMANCE  
 COLOR STANDARD: SHERWIN WILLIAMS "POSITIVE RED" SW6871 (SHER-CRYL) GLOSS

**UNIT MASONRY**  
**KEY NOTE NO. 2A:**  
 TYPE: CLAY MASONRY UNIT  
 MFG: ACME BRICK  
 SIZE: 2 1/4" X 3 5/8" X 7 5/8" (MODULAR)  
 COURSING: RUNNING BOND  
 COLOR: (ACCENT COLOR) BLEND 30 DOVE GRAY VELOUR  
 MORTAR COLOR: NATURAL GRAY

**KEY NOTE NO. 2B:**  
 TYPE: CLAY MASONRY UNIT  
 MFG: ACME BRICK  
 SIZE: 2 1/4" X 3 5/8" X 7 5/8" (MODULAR)  
 COURSING: RUNNING BOND  
 COLOR: (FIELD COLOR) BLEND 600 OXFORD BROWN VELOUR  
 MORTAR COLOR: NATURAL GRAY

**FLASHING AND SHEET METAL**  
**KEY NOTE NO. 3:**  
 TYPE: STANDING SEAM ROOFING SYSTEM  
 MFG: (REFER TO PRE-ENGINEERED METAL BUILDING SHOP DRAWINGS)  
 COLOR: GALVALUME

**KEY NOTE NO. 4:**  
 TYPE: CAP FLASHING AT MASONRY  
 MFG: (REFER TO PRE-ENGINEERED METAL BUILDING SHOP DRAWINGS)  
 FINISH: PREFINISHED  
 COLOR: EQUAL TO BUTLER BUILDING "COOL BIRCH WHITE"

**KEY NOTE NO. 5:**  
 TYPE: FLASHING AT EXTERIOR INSULATION FINISH SYSTEM (EIFS)  
 MFG: (REFER TO PRE-ENGINEERED METAL BUILDING SHOP DRAWINGS)  
 FINISH: FACTORY PRIME AND FIELD PAINT  
 COLOR: SHERWIN WILLIAMS "POSITIVE RED" SW6871 (SHER-CRYL) GLOSS WITH SHERWIN WILLIAMS THREE COMPONENT (B65T105 / B65V105 / B65C105) CLEAR URETHANE

**KEY NOTE NO. 6:**  
 TYPE: GUTTER AND DOWNSPOUTS  
 MFG: (REFER TO PRE-ENGINEERED METAL BUILDING SHOP DRAWINGS)  
 FINISH: PREFINISHED  
 COLOR: EQUAL TO BUTLER BUILDING "COOL BIRCH WHITE"

**DOORS AND WINDOWS**  
**KEY NOTE NO. 12:**  
 TYPE: STEEL DOORS AND FRAMES (DOORS NO. 2 AND 7)  
 MFG: (OWNER FURNISHED / CONTRACTOR INSTALLED)  
 FINISH: FACTORY PRIME AND FIELD PAINTED  
 COLOR: SHERWIN WILLIAMS (MATCH ADJACENT MASONRY COLOR) (SEMI-GLOSS)

**KEY NOTE NO. 13:**  
 TYPE: STEEL DOORS AND FRAMES (DOORS NO. 3)  
 MFG: (REFER PROJECT MANUAL)  
 FINISH: FACTORY PRIME AND FIELD PAINTED  
 COLOR: SHERWIN WILLIAMS (MATCH ADJACENT MASONRY COLOR) (SEMI-GLOSS)

**KEY NOTE NO. 14:**  
 TYPE: (REFER TO WINDOW SCHEDULE)  
 MFG: EFCO, KAWNEER, OR OLD CASTLE (VISTA WALL). (NO SUBSTITUTES)  
 COLOR: EFCO "IVY", KAWNEER "DARK IVY", VISTA WALL "INTERSTATE GREEN"

**PAINTING**  
**KEY NOTE NO. 15:**  
 TYPE: STEEL BOLLARDS (REFER TO CIVIL DRAWINGS)  
 FINISH: FIELD PRIME AND PAINT  
 COLOR: SHERWIN WILLIAMS "HUNT CLUB" SW6468 (SEMI-GLOSS)

**GENERAL NOTES**

- (A) REFER TO PROJECT MANUAL FOR ADDITIONAL REQUIREMENTS.
- (B) REFER TO CIVIL DRAWINGS FOR ADDITIONAL REQUIREMENTS.
- (C) REFER TO PLUMBING, MECHANICAL, AND ELECTRICAL DRAWINGS FOR SYSTEM TYPES AND ADDITIONAL REQUIREMENTS.
- (D) REFER TO EXTERIOR FINISH SCHEDULE FOR MATERIAL TYPES.
- (E) REFER TO PRE-ENGINEERED METAL BUILDING SHOP DRAWINGS FOR ADDITIONAL REQUIREMENTS.
- (F) REFER TO SCOPE OF WORK SCHEDULE FOR ADDITIONAL REQUIREMENTS.

**KEYNOTES**

- (1) EXTERIOR INSULATION AND FINISH SYSTEM (EIFS).
- (2A) CLAY MASONRY UNIT EXTERIOR WALL CONSTRUCTION (ACCENT COLOR). REFER TO PLANS, SECTIONS, AND DETAILS FOR ADDITIONAL REQUIREMENTS.
- (2B) CLAY MASONRY UNIT EXTERIOR WALL CONSTRUCTION (FIELD COLOR). REFER TO PLANS, SECTIONS, AND DETAILS FOR ADDITIONAL REQUIREMENTS.
- (3) PRE-ENGINEERED METAL BUILDING SHEET METAL ROOFING SYSTEM.
- (4) PRE-ENGINEERED METAL BUILDING SHEET METAL FLASHING (AT MASONRY)
- (5) PRE-ENGINEERED METAL BUILDING SHEET METAL FLASHING (AT EIFS)
- (6) PRE-ENGINEERED METAL BUILDING SHEET METAL GUTTER AND DOWNSPOUT SYSTEM.
- (7) (NOT USED).
- (8) LINE OF ROOF BEYOND WITH 1/4":12" SLOPE MINIMUM.
- (9) SURFACE MOUNTED SIGN OWNER FURNISHED AND INSTALLED. PROVIDE BACKING FOR MOUNTING AND ROUGH-IN ELECTRICAL COORDINATE REQUIREMENTS WITH OWNER. REFER TO SHEET 602.1.
- (10) BUILDING ADDRESS NUMBERS IN 6" HIGH HELVETICA WHITE VINYL ADHERED TO EXTERIOR FACE OF GLAZING.
- (11) (NOT USED).
- (12) EXTERIOR DOOR AND FRAME SYSTEM. REFER TO FLOOR PLAN AND DOOR SCHEDULE FOR TYPES.
- (13) EXTERIOR WINDOW SYSTEM. REFER TO FLOOR PLAN AND WINDOW SCHEDULE FOR TYPES.
- (14) APPROXIMATE LINE OF FOUNDATION. REFER TO STRUCTURAL DRAWINGS.
- (15) STEEL BOLLARDS. REFER TO CIVIL AND STRUCTURAL DRAWINGS.
- (16) HOSE BIB. REFER TO PLUMBING DRAWINGS.
- (17) LIGHT FIXTURE. REFER TO ELECTRICAL DRAWINGS.
- (18) (NOT USED).
- (19) MECHANICAL ROOF TOP UNIT. REFER TO MECHANICAL DRAWINGS.
- (20) MECHANICAL WALL PENETRATIONS. REFER TO MECHANICAL DRAWINGS. PROVIDE FRAMING, FLASHING, AND SEALANT AS REQUIRED. INSTALL RESTROOM EXHAUST FANS 12" MINIMUM ABOVE INTERIOR CEILING FRAMING.
- (21) PLUMBING ROOF VENT. REFER TO PLUMBING DRAWINGS AND DETAIL 11/A4.2.
- (22) DOWNSPOUT COLLECTION SYSTEM. REFER TO CIVIL FOR MORE INFORMATION.
- (23) MASONRY CONTROL JOINT. PROVIDE SEALANT OVER 1/2" DIAMETER FOAM BACKER ROD. COLOR TO MATCH ADJACENT MASONRY.
- (24) RUSTICATION JOINT. REFER TO DETAIL 6/A3.2.



**CRAIG A. SCHNEIDER, AIA**  
**ARCHITECT**  
 1736 East Sunshine, Suite 417  
 Springfield, Missouri 65804  
 417.862.0658  
 Fax: 417.862.3265  
 e-mail: architect@estertyschneider.com

**PROJECT:**  
**NEW O'REILLY AUTO PARTS STORE**  
**290 DEACON ROAD**  
**FREDERICKSBURG, VA #4**  
**EXTERIOR ELEVATIONS**

**O'Reilly AUTO PARTS**  
 CORPORATE OFFICES  
 235 SOUTH PATTERSON  
 INDEPENDENCE, MISSOURI 64602  
 (417) 862-2674 TELEPHONE

COMM # 4251  
 DATE: 11.2.18  
 REVISION  
 DATE: 3.25.19