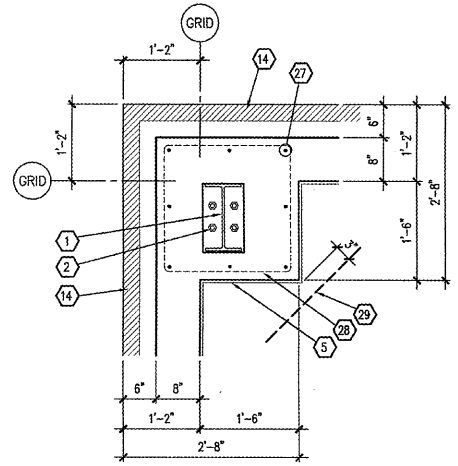
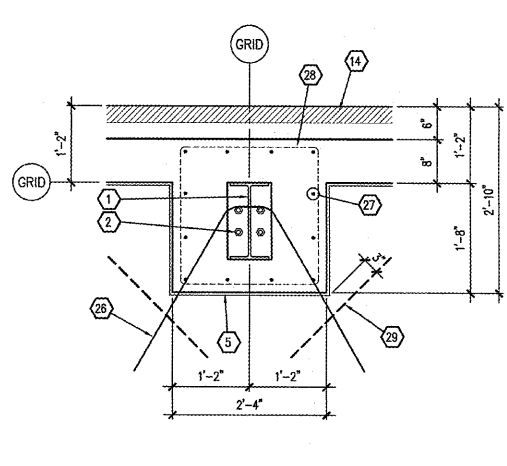


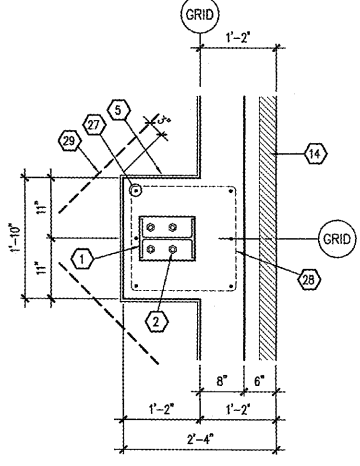
RECEIVED
MAR 21 2010
THE ENGINEERING CENTER
1400 SPRINGFIELD AVENUE



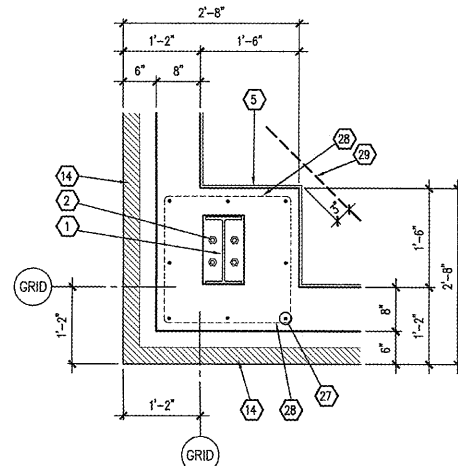
1 DETAIL
S3.2 SCALE: 3/4" = 1'-0"



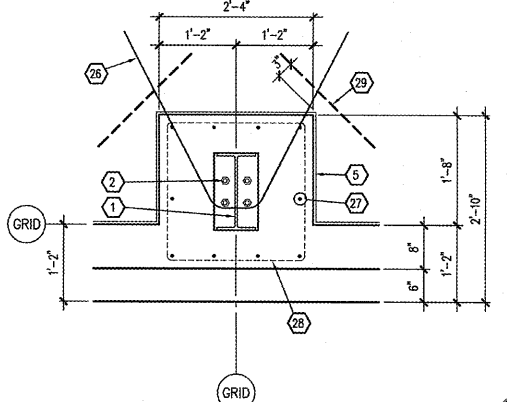
2 DETAIL
S3.2 SCALE: 3/4" = 1'-0"



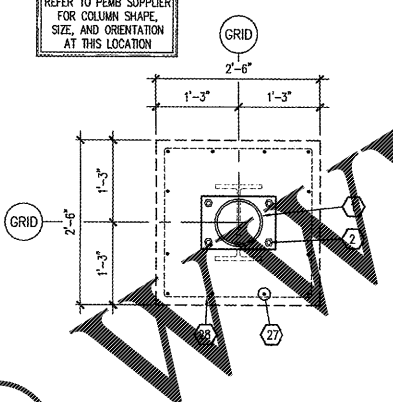
3 DETAIL
S3.2 SCALE: 3/4" = 1'-0"



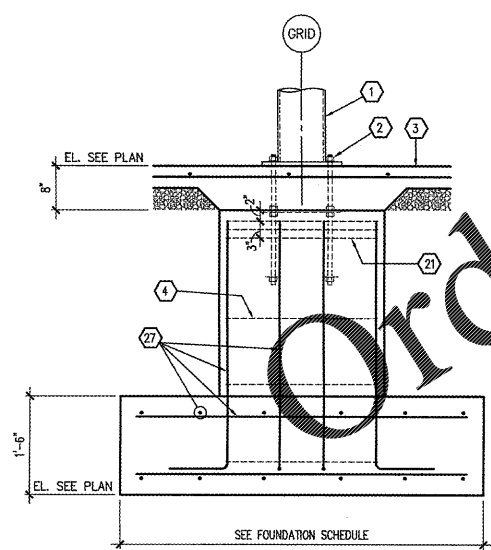
5 DETAIL
S3.2 SCALE: 3/4" = 1'-0"



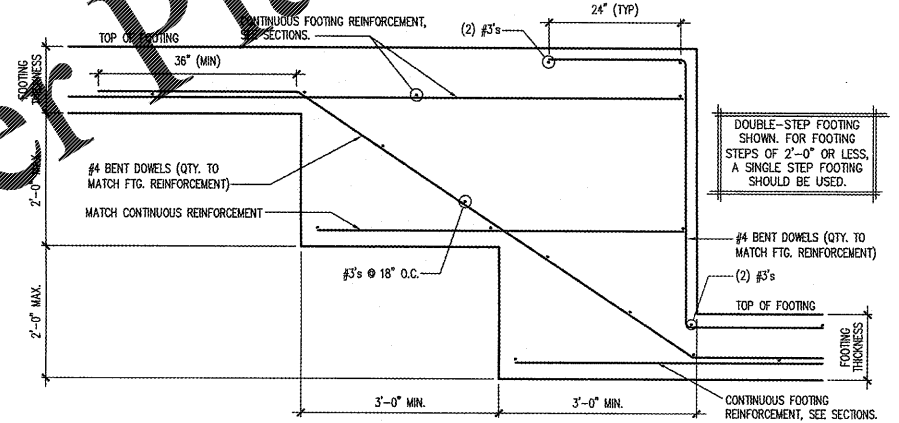
6 DETAIL
S3.2 SCALE: 3/4" = 1'-0"



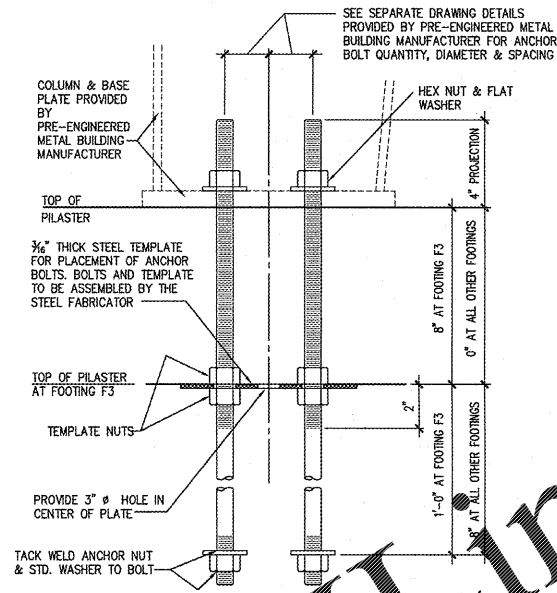
7 DETAIL
S3.2 SCALE: 3/4" = 1'-0"



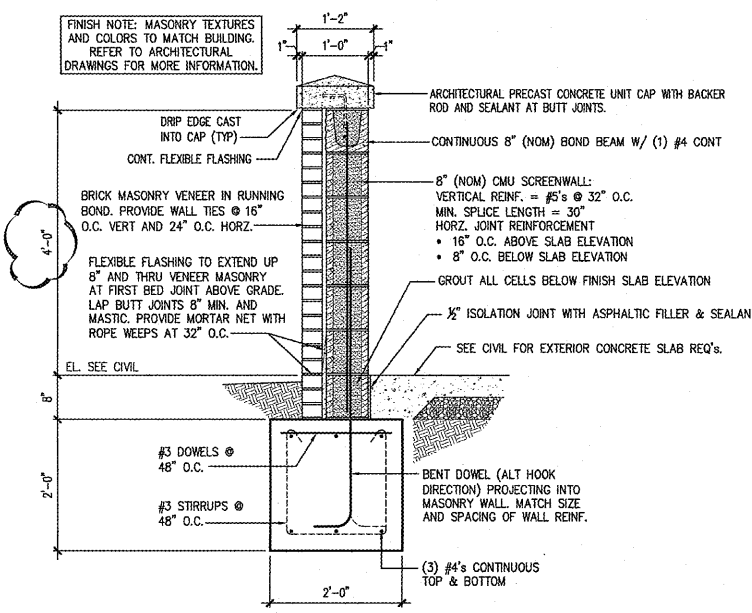
8 SECTION
S3.2 SCALE: 3/4" = 1'-0"



9 TYPICAL STEPPED FOOTING
S3.2 SCALE: 3/4" = 1'-0" (IF NEEDED)



4 SHOP FABRICATED ANCHOR ASSEMBLY
S3.2 SCALE: NOT SHOWN (DO NOT SHIP UNASSEMBLED TO FIELD)



10 SCREEN WALL
S3.2 SCALE: 3/4" = 1'-0"

KEYNOTES

- 1 PRE-ENGINEERED METAL BUILDING STRUCTURAL SYSTEM. SEE P.E.M.B. SHOP DRAWINGS FOR ADDITIONAL INFORMATION.
- 2 ANCHOR BOLTS. SEE FOUNDATION SCHEDULE AND PRE-ENGINEERED METAL BUILDING DRAWINGS FOR SIZE, QUANTITY AND PLAN LOCATION. SEE 4/S3.2 FOR TYPICAL SHOP FABRICATED ANCHOR ASSEMBLY.
- 3 INTERIOR CONCRETE SLAB SEE FOUNDATION PLAN.
- 4 #3 TIES @ 12" O.C.
- 5 1/2" ISOLATION JOINT WITH ASPHALTIC FILLER & SEALANT
- 6 TAPER TOP OF RIGID INSULATION 45 DEGREES AS SHOWN. POUR SLAB OVER INSULATION.
- 7 #4 BENT DOWELS @ 18" O.C.
- 8 #4'S CONTINUOUS AT 12" O.C.
- 9 (3) #4'S CONTINUOUS
- 10 ADDITIONAL #4 CONTINUOUS IN TOP OF STEM WALL
- 11 RIGID INSULATING BOARD LOCATED AS SHOWN AT PERIMETER OF BUILDING. (R-10 MINIMUM REQUIRED)
- 12 12" METAL STUD. SEE S4 FOR GAUGE AND SPACING - PROVIDE 1/2" ANCHOR BOLTS @ 48" O.C. (7' EMBEDMENT & 2" HOOK)
- 13 REFER TO ARCHITECTURAL DRAWINGS FOR EXTERIOR WALL SHEATHING, FLASHING, AND GROUT SPACE BEHIND BRICK VENEER. SEE SHEET S4 FOR SHEATHING ATTACHMENT INFORMATION.
- 14 BRICK VENEER. SEE ARCHITECTURAL ELEVATIONS FOR ADDITIONAL INFORMATION.
- 15 SEE GRADING PLAN FOR FINISHED GRADES.
- 16 PAVING. SEE SITE DEVELOPMENT DRAWINGS FOR ADDITIONAL INFORMATION.
- 17 DRILL 6" DEEP HOLES FOR #4x1'-6" DOWELS @ 18" O.C. DRILL AND ADHERE INTO FOUNDATION. SEE SHEET S1 FOR ADHESIVE ANCHOR INSTALLATION.
- 18 #3x4'-0" DOWEL @ 18" O.C. FIELD BEND AS SHOWN
- 19 ENTRY SLAB SEE FOUNDATION PLAN
- 20 EXTERIOR CONCRETE SLAB OR SIDEWALK SEE FOUNDATION PLAN. REFER TO SITE DEVELOPMENT DRAWINGS FOR ALL EXTERIOR TOP OF CONCRETE ELEVATIONS.
- 21 (3) #3 TIES @ 12" O.C.
- 22 #4 CONTINUOUS
- 23 DRILL 4" DEEP HOLES FOR #4x1'-4" DOWELS @ 18" O.C. DRILL AND ADHERE INTO FOUNDATION. SEE SHEET S1 FOR ADHESIVE ANCHOR INSTALLATION.
- 24 PROVIDE SMOOTH TRANSITION ON TOP OF STEM WALL AT ALL DOOR & WINDOW OPENINGS
- 25 STEEL BOLLARD SEE SITE PLAN.
- 26 SLAB HAIRPIN SEE DETAIL 6/S3.1
- 27 SEE FOUNDATION SCHEDULE FOR FOOTING & PLASTER REINFORCEMENT.
- 28 REFER TO SECTIONS FOR REBAR TIE SIZE AND SPACING.
- 29 #4x4'-0" DOWEL CENTERED IN SLAB. TURN 45 DEGREES AS SHOWN.
- 30 LINE OF STEM WALL AND FOOTING BEYOND
- 31 STEM WALL AND FOOTING REINFORCEMENT TO RUN CONTINUOUS THROUGH COLUMN PLASTERS AND SPREAD FOOTINGS.
- 32 12" METAL STUD. SEE S4 FOR GAUGE AND SPACING - PROVIDE 1/2" ANCHOR BOLTS @ 48" O.C. (7' EMBEDMENT & 2" HOOK).
- 33 ADDITIONAL #4

Order Plans @

WWW.Online.com



Craig A. Sneider, AIA
ARCHITECT
1736 East Sunshine, Suite 417
Springfield, Missouri 65804
417-862-6556
Fax: 417-862-3265
e-mail: architect@esterfischer.com

PROJECT:
NEW O'REILLY AUTO PARTS STORE
290 DEACON ROAD
FREDERICKSBURG, VA #4
FOUNDATION DETAILS

O'Reilly AUTO PARTS
CORPORATE OFFICES
303 SOUTH MAIN
SPRINGFIELD, MISSOURI 65802
(417) 862-2674 TELEPHONE

COMM # 4251
DATE: 11-2-18
REVISION
DATE: 3-25-19

Jeffrey S. Smith, P.E.
Jeffrey S. Smith P.E. 018070
P.O. Box 8102 * JOPLIN, MISSOURI 64802
PHONE: 417-824-0444 * FAX: 417-824-0430