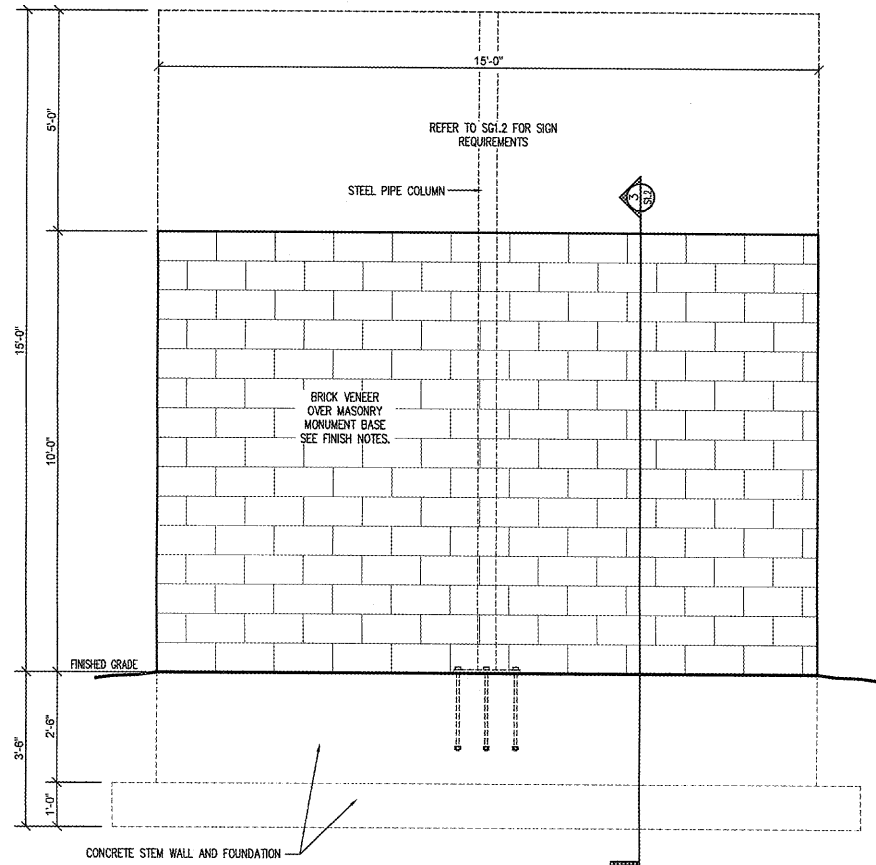
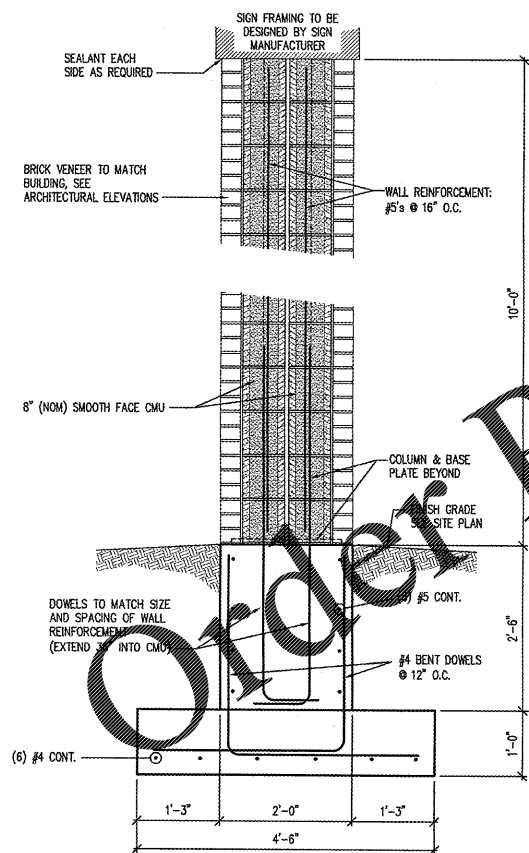


RECEIVED
MAR 21 2018
OFFICE OF THE REGISTERED PROFESSIONAL ENGINEER



1 GROUND SIGN ELEVATION

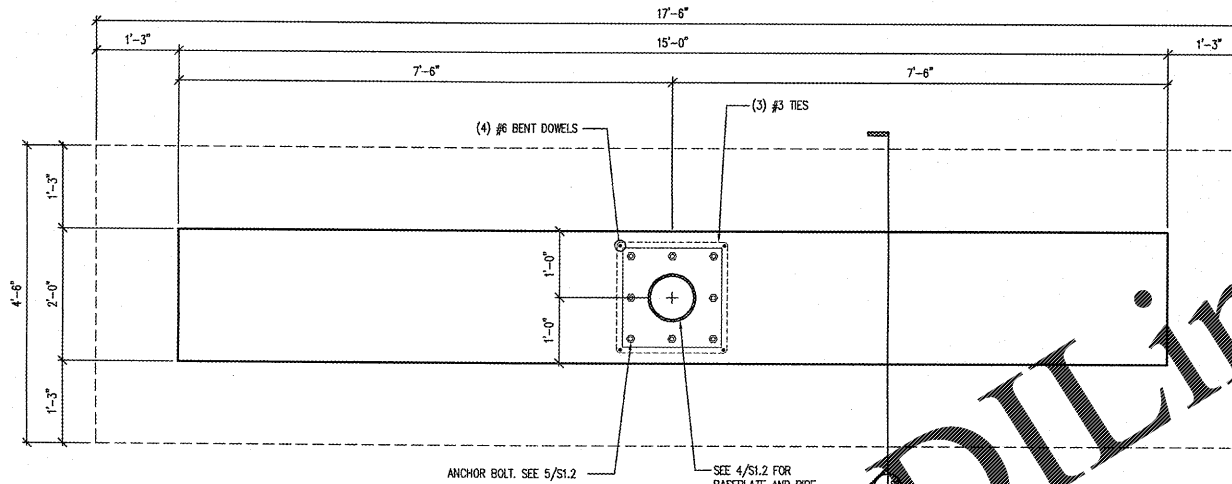
S1.2 SCALE: 1/2" = 1'-0"



3 MONUMENT SIGN FOUNDATION SECTION

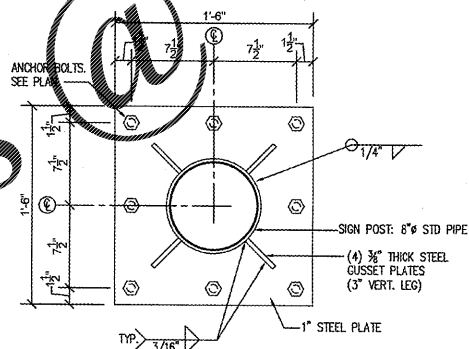
S1.2 SCALE: 3/4" = 1'-0"

NOTE:
VERIFY LOCATION PRIOR TO POURING TO
ASSURE NO INTERFERENCE WITH UTILITIES



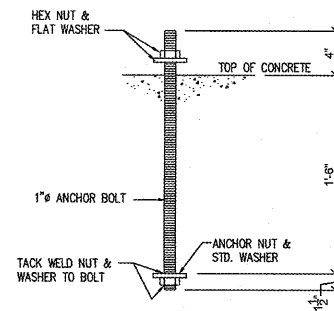
2 MONUMENT SIGN FOUNDATION PLAN

S1.2 SCALE: 3/4" = 1'-0"



4 SIGN BASE PLATE

S1.2 SCALE: 1 1/2" = 1'-0"



BOLT MATERIAL MAY BE F1554 GR. 36, OR
CONTINUOUSLY THREADED A36 ROD. ALL ANCHOR
BOLTS SHALL BE CLEAN AND FREE OF ALL OIL,
GREASE, ICE, ETC.

5 ANCHOR BOLT DETAIL

S1.2 SCALE: 1 1/2" = 1'-0"

GENERAL NOTES

- REFER TO PROJECT MANUAL FOR ADDITIONAL REQUIREMENTS.
- CONTACT OWNER'S OR TENANT'S DESIGNATED PROJECT ADMINISTRATOR FOR QUESTIONS OR CLARIFICATIONS.
- SITE SIGN FOUNDATIONS AND ROUGH-IN ELECTRICAL TO BE PROVIDED BY CONTRACTOR.
- REQUIRED GOVERNMENTAL PERMITS FOR PERMANENT TYPE SIGNAGE TO BE PROVIDED BY OWNER OR OTHERS (N.I.C.).

DESIGN CRITERIA

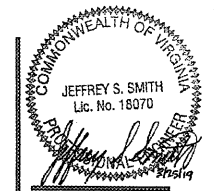
- GOVERNING BUILDING CODE
2012 VIRGINIA UNIFORM STATEWIDE BUILDING CODE
- WIND CRITERIA:
B.1. RISK CATEGORY II
B.2. $V_{max} = 115$ mph
B.3. $V_{min} = 89.1$ mph
B.4. EXPOSURE "C"
- SEISMIC CRITERIA:
C.1. SITE CLASS = E
C.2. $S_{MS} = B$
C.3. $S_{MS} = 142$
C.4. $S_{MS} = 0.23$
C.5. $S_{MS} = 0.23$
C.6. $S_{MS} = 0.128$

STRUCTURAL NOTES

- A GEOTECHNICAL ANALYSIS HAS BEEN PERFORMED ON THIS SITE. SEE PROJECT MANUAL FOR GEOTECHNICAL INFORMATION. APPROPRIATE RECOMMENDATIONS STATED IN THE GEOTECHNICAL REPORT ISSUED BY ECS MID-ATLANTIC, LLC DATED APRIL 13, 2018 SHALL BE FOLLOWED.
- THESE FOUNDATIONS HAVE BEEN DESIGNED FOR A VERTICAL SOIL BEARING OF 2000 psf.
- ALL READY MIX CONCRETE SHALL BE 4000 psi FOR ALL CONCRETE PLACEMENT. DO NOT ADD WATER TO THE MIX DESIGN AFTER DELIVERY TO THE PROJECT SITE.
- EXPOSED EXTERIOR CONCRETE SHALL BE AIR-ENTRAINED (TOTAL AIR CONTENT = 5%).
- HOT OR COLD WEATHER CONCRETING SHALL BE IN ACCORDANCE WITH ACI 305-89 AND ACI 306-1-90, RESPECTIVELY.
- ANY CONCRETE PLACED BY MEANS OF PUMPING SHALL BE DONE IN ACCORDANCE WITH ACI 304.2R (82).
- CEMENT SHALL CONFORM TO A.S.T.M. C-150 TYPE III.
- AGGREGATES SHALL CONFORM TO A.S.T.M. C-33 FOR NORMAL WEIGHT CONCRETE.
- READY MIX CONCRETE SHALL BE MIXED AND DELIVERED IN ACCORDANCE WITH A.S.T.M. C-94.
- ADMIXTURES MAY BE USED WITH THE APPROVAL OF THE STRUCTURAL ENGINEER. ADMIXTURES USED TO INCREASE THE WORKABILITY OF THE CONCRETE SHALL NOT BE CONSIDERED TO REDUCE THE CEMENT CONTENT. NO CALCIUM CHLORIDE ADMIXTURES ALLOWED.
- FABRICATOR QUALIFICATIONS: FABRICATOR MUST PARTICIPATE IN THE AISC QUALITY CONTROL PROGRAM AND BE DESIGNATED AN AISC-CERTIFIED PLANT.
- MATERIALS:
• STRUCTURAL STEEL..... ASTM A992, GRADE 50ksi
• PLATES, ANGLES, AND MISC STEEL..... ASTM A36ksi
• ANCHOR RODS..... ASTM F1554, GRADE 36
• HIGH STRENGTH BOLTS..... ASTM A325
(OF NORTH AMERICAN MANUFACTURE)
• WELDING ELECTRODES..... AWS A5.1 (E70XX)
• PIPE..... ASTM A53, GRADE B
• ROUND HSS..... ASTM A500, GRADE B, Fy = 42ksi

CMU NOTES

- CMU SHALL CONFORM TO CURRENT BUILDING CODE PROVISIONS.
- VERTICAL CELLS TO BE FILLED SHALL ALIGN TO MAINTAIN AN UNOBSTRUCTED VERTICAL SHAFT NOT LESS THAN 2"x3".
- PROVIDE 9 ga. LADDER TYPE JOINT REINFORCEMENT AT 16" O.C.
- CENTER VERTICAL REINFORCEMENT WITH 9 ga. HOT DIP GALVANIZED REBAR POSITIONERS 24" AT O.C.



CRAIG A. SCHNEIDER, AIA
ARCHITECT
1736 East Sunshine, Suite 417
Springfield, Missouri 65804
417.862.8558
417.862.3265
e-mail: architect@caerichneider.com

PROJECT:
NEW O'REILLY AUTO PARTS STORE
290 DEACON ROAD
FREDERICKSBURG, VA #4
SITE SIGNAGE DETAILS

O'Reilly AUTO PARTS
CORPORATE OFFICES
293 SOUTH WASHINGTON
SPRINGFIELD, MISSOURI 65802
(417) 862-2874 TELEPHONE

COMM # 4251
DATE: 11-2-18
REVISION
DATE: 3-25-19

Jeffrey S. Smith, P.E.
Jeffrey S. Smith P.E. 018070
P.O. Box 8102 * JOPLIN, MISSOURI 64802
PHONE: 417-624-0444 * FAX: 417-624-0430