

TABLE 3.32-D

SITE SPECIFIC SEEDING MIXTURES FOR COASTAL PLAIN AREA

Mixture	Total Lbs. Per Acre
Medium Care Lawn - Kentucky 31 or Turf-Type Tall Fescue or - Common Bermudagrass **	175-200 Lbs. 75 Lbs.
High Maintenance Lawn - Kentucky 31 or Turf-Type Tall Fescue or - Hybrid Bermudagrass (seed) ** or - Hybrid Bermudagrass (by other vegetative establishment method, see Vol. 3, Sec. 3.34)	200-250 Lbs. 40 Lbs. (seed) 20 Lbs. (seed)
General Slope (3:1 or less) - Kentucky 31 Fescue - Real Turf Grass - Seasonal Nurse Crop *	124 Lbs. 2 Lbs. 20 Lbs. 30 Lbs.
Low Maintenance Slope (Steeper than 3:1) - Kentucky 31 Tall Fescue - Common Bermudagrass ** - Real Turf Grass - Seasonal Nurse Crop *	93-108 Lbs. 15 Lbs. 2 Lbs. 20 Lbs. 30 Lbs. 150 Lbs.

* Use seasonal nurse crop in accordance with seeding dates as stated below:
February, March through April Annual Rye
May through August Perennial Millet
September, October through November 15th Annual Rye
November 16th through January Winter Rye

** May through October, use balled seed. All other seeding periods, use unball seed. Wintering Lanes may be added to any slope or low maintenance area during warmer seeding periods, add 10-20 lbs./acre in notes.

111 - 304

TABLE 3.32-E

QUALITY OF SEED*

Legumes	Minimum Seed Purity (%)	Minimum Germination (%)
Crabgrass	98	85**
Lespedeza, Korean	97	85**
Lespedeza, Sericea	98	85**
Grasses		
Bromegrass, Kentucky	97	85
Fescue, Tall (Imperial, Turf-Type Cultivars)	98	85
Fescue, Tall (90-91)	97	85
Fescue, Red	98	85
Reynolds	94	80
Reynolds, Kentucky	98	80
Reynolds, Virginia	98	80
Wenatchee	98	87
Annuals		
Annual Ryegrass	97	90
Common Millet	98	85
Oats	98	80
Coronel Rye	98	85

* Seed containing prohibited or restricted toxic substances should not be accepted. Seed should not contain in excess of 0.5% weed seed. To calculate percent pure, live seed, multiply germination times purity and divide by 100.
Example: Ky-31 Tall Fescue with a germination of 85 percent and a purity of 97 percent.
97 x 85 = 8245. 8245 x 100 = 82,455 percent pure live seed.

** Includes "bald seed"

111 - 311

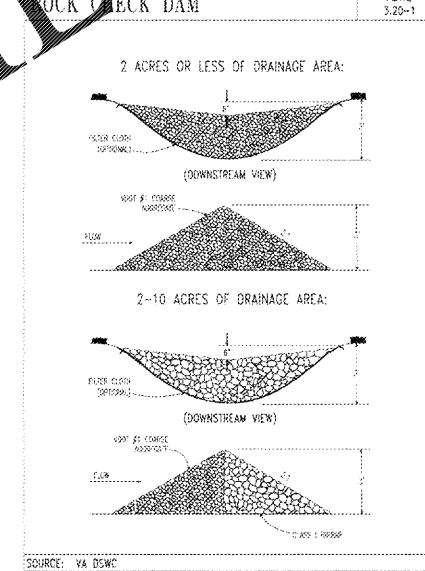
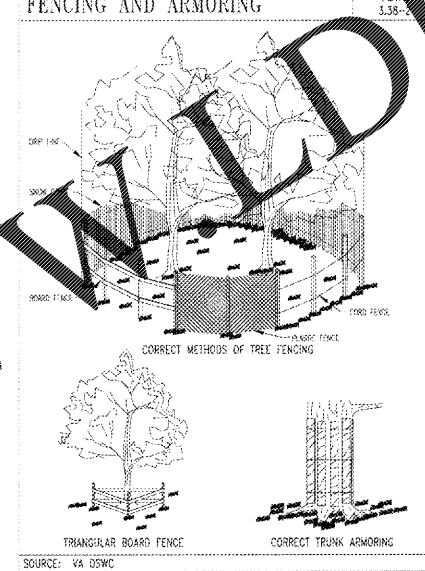
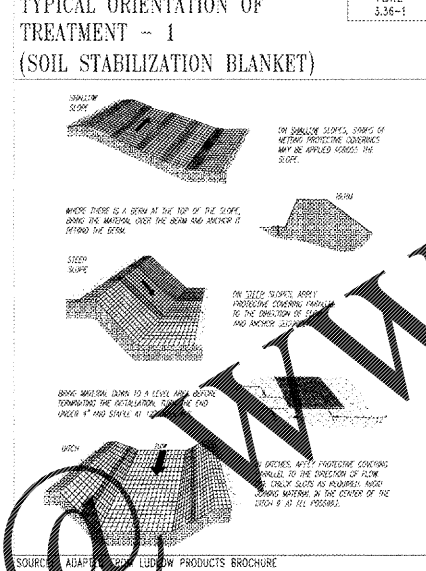


TABLE 3.33-A

TYPE OF SOIL AVAILABLE IN VIRGINIA AND RECOMMENDED USES

Kentucky Bluegrass: Adapted to the Northern Piedmont and Mountain Regions. Individual varieties selected must make up not less than 10%, nor more than 35% of the total mixture on a weight basis. All varieties must be certified. Selections can be made from Category I alone or various combinations of Categories I, II, and III, as noted.

Category I - Recommended Kentucky Bluegrass Varieties
65% - 100% A.M., Abbey, Aspen, Asset, Baron, Blackburg, Bristol, Cheri, Chateau, Classic, Coventry, Georgetown, Glade, Hoga, Julia, Liberty, Loft's 1757, Merit, Midnight, Monopoly, Phlox, Princeton 104, Rugby, Suffolk, Vicia

Category II - Special use varieties. If used, must contain 65% Category I varieties
Shade Tolerant
10-35% Bristol, Columbia, Georgetown, Glade, Midnight
Low Maintenance Tolerant
10-35% Columbia, Georgetown, Monopoly, Touchdown, Vicia

Category III - Limited performance data or seed availability
10-35% Estate, Freedom, Kelly

** (continued)**

TABLE 3.33-A (CONTINUED)

TYPE OF SOIL AVAILABLE IN VIRGINIA AND RECOMMENDED USES

Tall Fescue: Adapted to the Piedmont.

Recommended Tall Fescue Varieties
90-95% Merit, Rebel, Renaissance, Renaissance SGL, Renaissance SGL, Renaissance SGL

Practical Varieties
Certified: Arba, Austin, Avanti, Aztec, Cochie, Craaslin, Eldorado, Emerald 87, Jaguar II, Maverick II, Monarch, Olympic II, Phoenix, Shortstop, Sundance, Taurus, Thunderbolt, Titan, Trademark, Vegas, Winchester, Wrangler

6-10% Kentucky Bluegrass: Baron, Chert, Columbia, Monopoly, Nassau, Ram I, Vicia

Bermudagrass: Tufeste is adapted to the Richmond-Danville-Newport News triangle. Midiron may be used east of Roanoke and south of Charlottesville. Tigreen and Tifway may be used to the east and south of Richmond. Vamont may be used east of Roanoke and at lower elevations in southwestern Virginia.

Certified Midiron, Tigreen, Tifway, Tifway II, Tufeste and Vamont

Zoysiagrass: This sod performs best in southeastern Virginia.
Meyer, Emerald*

Note: Common Bermudagrass is not recommended for sod production.
* Only recommended in southeastern Virginia.

Source: 1991 Virginia Turfgrass Variety Recommendations, Virginia Crop Improvement Association

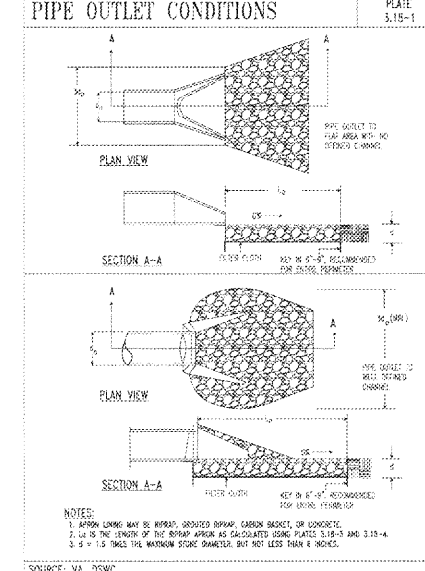
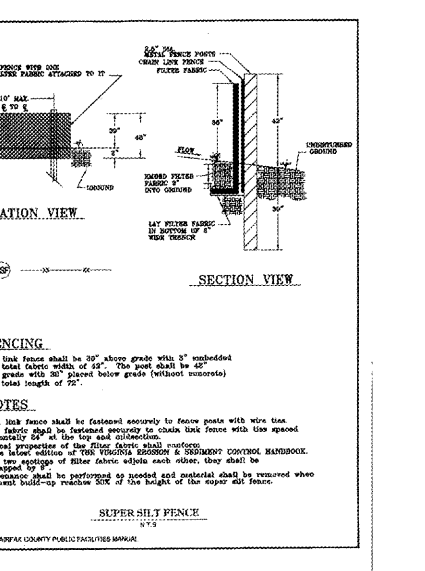
TABLE 3.35-A

ORGANIC MULCH MATERIALS AND APPLICATION RATES

MULCHES:	RATES:		NOTES:
	Per Acre	Per 1000 sq. ft.	
Straw or Hay	1 1/2 - 2 tons (Minimum 2 tons for winter cover)	70 - 90 lbs.	Free from weeds and coarse matter. Must be anchored. Spread with mulch blower or by hand.
Fiber Mulch	Minimum 1500 lbs.	35 lbs.	Do not use as mulch for winter cover or during hot, dry periods. Apply as slurry.
Corn Stalks	4 - 6 tons	185 - 275 lbs.	Cut or shredded in 4-6" lengths. Air-dried. Do not use in fine turf areas. Apply with mulch blower, chip handler, or by hand.
Wood Chips	4 - 6 tons	185 - 275 lbs.	Free of coarse matter. Air-dried. Do not use in fine turf areas. Apply with mulch blower, chip handler, or by hand.
Bark Chips or Shredded Bark	50 - 70 cu. yds.	1-2 cu. yds.	Free of coarse matter. Air-dried. Do not use in fine turf areas. Apply with mulch blower, chip handler, or by hand.

* When fiber mulch is the only available mulch during periods when straw should be used, apply at a minimum rate of 2000 lbs./ac. or 45 lbs./1000 sq. ft.

Source: VA DSWC



BOHLER ENGINEERING

28 BLACKWELL PARK LANE, SUITE 201 WARRENTON, VA 20188
PHONE: (540) 348-4500 FAX: (540) 348-4521

PROJECT No.: V183201 SCALE: AS NOTED
DRAWN BY / CHECKED BY: DSH/JQR CAD I.D., SDQ

CRAIG A. SCNEIDER, AIA
ARCHITECT
1736 East Sunrise, Suite 417
Springfield, Missouri 65804
417-862-9558
417-862-9265
FAX: 417-862-9265
e-mail: architect@creafid.com

PROJECT:
NEW O'REILLY AUTO PARTS STORE
290 DEACON ROAD
FREDERICKSBURG, VA #4
EROSION CONTROL DETAILS

O'Reilly AUTO PARTS
CORPORATE OFFICES:
233 SOUTH PATTERSON
SPRINGFIELD, MISSOURI 65802
(417) 862-2674 TELEPHONE

CONN # 4251
DATE: 11-2-18
REVISION
DATE: 03-25-19
06-24-19

C3.3