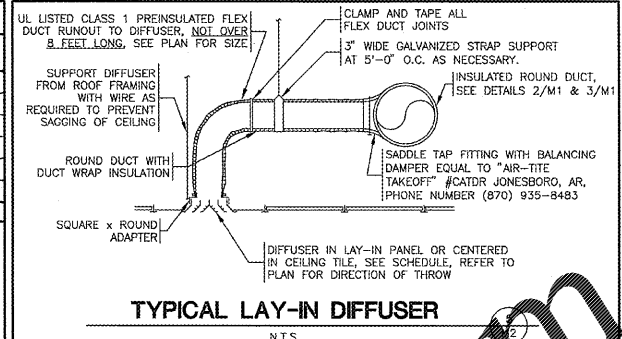


FAN SCHEDULE											
MARK	DESCRIPTION	MFR.	CATALOG NUMBER	CFM (NOM)	STATIC PRESS.	MOTOR H.P.	ELECTRICAL			REMARKS	REF. DETAIL
							V/PH	MCA	MOCF	ACCESSORIES	
EF-1	INLINE EXHAUST FAN	COOK	GN-842	900	0.1	195W	120/1	-	-	BD,DS,WC	△△△
EF-2	INLINE FAN	COOK	GN-842	900	0.1	195W	120/1	-	-	BD,DS,SS	△

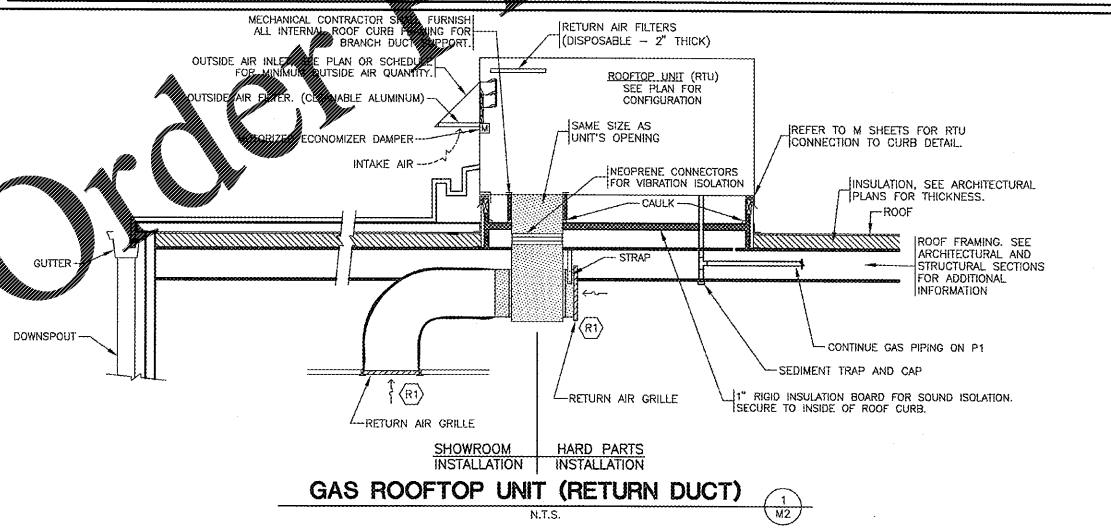
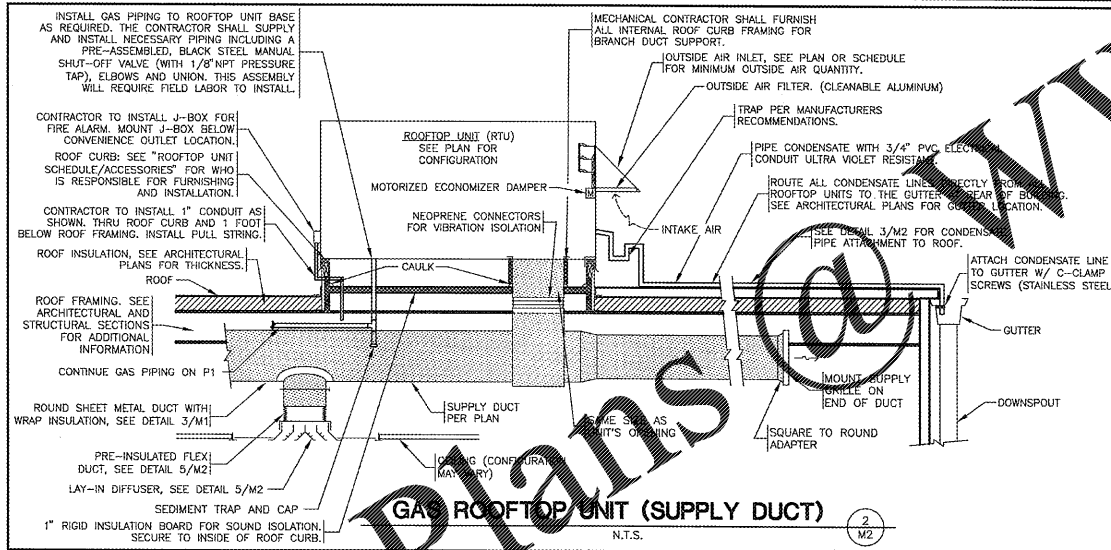
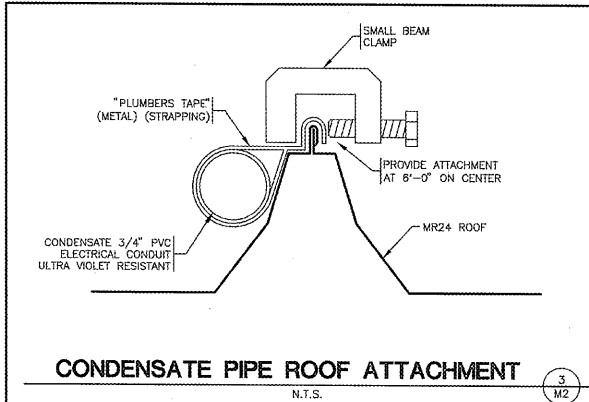
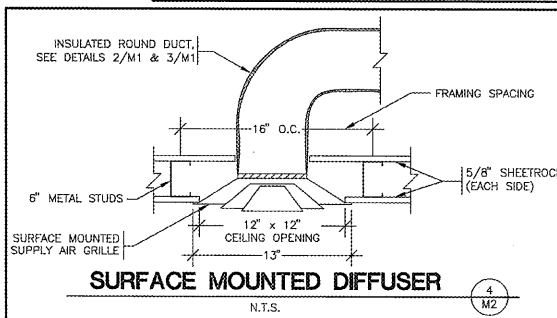
GRILLE AND DIFFUSER SCHEDULE										
MARK	DESCRIPTION	MFR.	CATALOG NUMBER	SIZE (In.)	FINISH	MOUNTING	BRANCH DUCT SIZE	ACCESSORIES	REMARKS	REF. DETAIL
G1	SUPPLY GRILLE	ANEMOSTAT	S2H0	14x14	WHITE	DUCT	SEE PLAN	OB	△	-
S1	SUPPLY DIFFUSER	ANEMOSTAT	E-1-D	12x12	WHITE	SURFACE	SEE PLAN	DT	△△△	4/M2
S2	SUPPLY DIFFUSER	ANEMOSTAT	EPL	24x24	WHITE	DUCT/LAY-IN	SEE PLAN	-	△	5/M2
R1	RETURN GRILLE	ANEMOSTAT	GC5	24x24	WHITE	LAY-IN/EXPOSED	SEE PLAN	-	NON-FILTERED	5/M2
R2	RETURN GRILLE	ANEMOSTAT	GC5	12x12	WHITE	SURFACE	SEE PLAN	-	NON-FILTERED	4/M2
X1	EXHAUST GRILLE	ANEMOSTAT	S3HS	12x12	WHITE	CEILING	SEE PLAN	OB	-	-



CONDENSATE OVERFLOW SWITCH, TYPICAL ALL RTU (COF)

THIS SENSOR AND RELATED CONTROLLER MONITORS THE CONDENSATE LEVEL IN THE DRAIN PAN AND SHUTS DOWN COMPRESSION OPERATION WHEN OVERFLOW CONDITIONS OCCUR. IT INCLUDES:

- INDICATOR LIGHT - SOLID RED (MORE THAN 10 SECONDS ON WATER CONTACT - COMPRESSORS DISABLED), BLINKING RED (SENSOR DISCONNECTED)
- 10-SECOND DELAY TO BREAK - ELIMINATED NUISANCE TRIPS FROM SPLASHING OR WAVES IN PAN (SENSOR NEEDS 10 SECONDS OF CONSTANT WATER CONTACT BEFORE TRIPPING)
- DISABLES THE COMPRESSOR(S) OPERATION WHEN CONDENSATE PLUG IS DETECTED, BUT STILL ALLOWS FANS TO RUN FOR ECONOMIZER.



NATIONAL ACCOUNT - ROOFTOP UNIT SCHEDULE - 7.5 TON - GAS (3-PHASE) - BY O'REILLY

MARK	DESCRIPTION	MFR.	CATALOG NUMBER	STAGE 1 IN/OUT	HTG. MBH	CLG. MBH	SEER	EER	CFM	O.A.	ESP	HP	V/PH	MCA	MOCF	WT. (lbs.)	ACCESSORIES	REMARKS	REF. DET.	
RTU-2	WEATHERMASTER PACKAGED ROOFTOP UNIT 7.5-TON	CARRIER	48HCTD06K2M5-0F100	120/98	120/50	180/148	82%	46.5/36	46.5/36	93/72	13.00	12.00	3000	△	0.6	1.50	208V/230V/3P	SEE BELOW	△△△	1/M2 2/M2

RTU - RESPONSIBILITIES

- ALL CARRIER HVAC UNITS ARE OWNER SUPPLIED BY O'REILLY AUTOMOTIVE.
- MECHANICAL CONTRACTOR IS RESPONSIBLE FOR THE INSTALLATION OF ALL CARRIER HVAC UNITS.
- MECHANICAL CONTRACTOR IS RESPONSIBLE FOR THE FIRST YEAR LABOR WARRANTY ON SUPPLIED EQUIPMENT.
- MECHANICAL CONTRACTORS WORKING ON O'REILLY PROJECTS MUST CALL "CARRIER CORPORATION'S NATIONAL ACCOUNTS" DEPARTMENT FOR CONFIRMATION OF ORDERS ONLY!
- MECHANICAL CONTRACTOR IS RESPONSIBLE FOR SCHEDULING, SHIPPING & RECEIVING OF ALL CARRIER UNITS FROM CARRIER NATIONAL ACCOUNTS. CONTACT CUSTOMER SERVICE REP. LISTED TO THE RIGHT.

ACCESSORIES - FACTORY SUPPLIED AND INSTALLED

HE - STAINLESS STEEL GAS HEAT EXCHANGER (HIGH HEAT) (15 YR. WARRANTY).

SD - RETURN AIR SMOKE DETECTOR.

COF - CONDENSATE OVERFLOW SWITCH (CAN'T BE USED WITH HORIZONTAL RETURN UNITS).

MB - MEDIUM STATIC BLOWER (SINGLE SPEED).

HG - LOW VOLTAGE HALO GUARDS.

UPD - UN-POWERED CONVENIENCE OUTLET (FIELD POWERED), 15AMP, 120V, GROUND FAULT CIRCUIT INTERRUPTER (GFCI) TYPE.

TBEG - THRU-THE-BOTTOM-ELECTRIC & GAS SERVICES. (SEE ROOF TOP UNIT DETAILS)

SS - HI & LOW REFRIGERANT SAFETY SWITCHES. (STANDARD ON EVERY UNIT)

AF - 2" RETURN AIR FILTERS. (STANDARD ON EVERY UNIT)

EC - ENTHALPY ECONOMIZER IV. W/BAROMETRIC RELIEF.

ACCESSORIES - O'REILLY SUPPLIED & FIELD INSTALLED

TS1 - GRIDPOINT THERMOSTAT. (NO SUBSTITUTIONS). REFER TO EM SHEETS.

DS - NON-FUSED DISCONNECT SWITCH. (GRAYBAR/O'REILLY) SUPPLIED W/ ELECTRICAL BILL OF MATERIALS.

REMARKS

△ COOLING CAPACITY BASED ON 80°F EDB AND 67°F EWB.

△ CAPACITY BASED ON 95°F AMBIENT TEMPERATURE.

△ NOTE: HVAC COMPLETION. AT CONSTRUCTION COMPLETION:

- CONTRACTOR SHALL REPLACE ALL RETURN AIR FILTERS INSIDE ALL HVAC UNITS W/CLEAN NEW AIR FILTERS.
- CONTRACTOR SHALL SUPPLY AN ADDITIONAL CLEAN SET OF FILTERS TO THE OWNER AT JOB COMPLETION.
- CONTRACTOR SHALL SHOW THE STORE MANAGER THE LOCATION OF & INSTRUCT HIM/HER HOW TO CHANGE ALL AIR FILTERS.

NATIONAL ACCOUNT ROOFTOP UNIT SCHEDULE - 5 TON - GAS (3-PHASE) - BY O'REILLY

MARK	DESCRIPTION	MFR.	CATALOG NUMBER	STAGE 1 IN/OUT	HTG. MBH	CLG. MBH	SEER	EER	CFM	O.A.	ESP	HP	V/PH	MCA	MOCF	WT. (lbs.)	ACCESSORIES	REMARKS	REF. DET.			
RTU-1	WEATHERMASTER PACKAGED ROOFTOP UNIT 5-TON	CARRIER	48HCTD06K2M5-0F100	120/98	30/24	150/120	80%	60.4	48.0	15.20	12.45	2000	△	0.6	1.50	208/3P	30	45+	750	SEE BELOW	△△△	1/M2 2/M2

RTU - RESPONSIBILITIES

- ALL CARRIER HVAC UNITS ARE OWNER SUPPLIED BY O'REILLY AUTOMOTIVE.
- MECHANICAL CONTRACTOR IS RESPONSIBLE FOR THE INSTALLATION OF ALL CARRIER HVAC UNITS.
- MECHANICAL CONTRACTOR IS RESPONSIBLE FOR THE FIRST YEAR LABOR WARRANTY ON ALL OWNER SUPPLIED EQUIPMENT.
- MECHANICAL CONTRACTORS WORKING ON O'REILLY PROJECTS MUST CALL "CARRIER CORPORATION'S NATIONAL ACCOUNTS" DEPARTMENT FOR CONFIRMATION OF ORDERS ONLY!
- MECHANICAL CONTRACTOR IS RESPONSIBLE FOR SCHEDULING, SHIPPING & RECEIVING OF ALL CARRIER UNITS FROM CARRIER NATIONAL ACCOUNTS. CONTACT CUSTOMER SERVICE REP. LISTED TO THE RIGHT.

ACCESSORIES - FACTORY SUPPLIED AND INSTALLED

HE - STAINLESS STEEL GAS HEAT EXCHANGER. (HIGH HEAT) (15 YR. WARRANTY).

SD - RETURN AIR SMOKE DETECTOR.

COF - CONDENSATE OVERFLOW SWITCH (CAN'T BE USED WITH HORIZONTAL RETURN UNITS).

MB - MEDIUM STATIC BLOWER (SINGLE SPEED).

HG - LOW VOLTAGE HALO GUARDS.

UPD - UN-POWERED CONVENIENCE OUTLET (FIELD POWERED), 15AMP, 120V, GROUND FAULT CIRCUIT INTERRUPTER (GFCI) TYPE.

TBEG - THRU-THE-BOTTOM-ELECTRIC & GAS SERVICES. (SEE ROOF TOP UNIT DETAILS)

SS - HI & LOW REFRIGERANT SAFETY SWITCHES. (STANDARD ON EVERY UNIT)

AF - 2" RETURN AIR FILTERS. (STANDARD ON EVERY UNIT)

EC - ENTHALPY ECONOMIZER IV. W/BAROMETRIC RELIEF.

ACCESSORIES - O'REILLY SUPPLIED & FIELD INSTALLED

TS1 - GRIDPOINT THERMOSTAT. (NO SUBSTITUTIONS). REFER TO EM SHEETS.

DS - NON-FUSED DISCONNECT SWITCH. (GRAYBAR/O'REILLY) SUPPLIED W/ ELECTRICAL BILL OF MATERIALS.

REMARKS

△ COOLING CAPACITY BASED ON 80°F EDB AND 67°F EWB.

△ CAPACITY BASED ON 95°F AMBIENT TEMPERATURE.

△ NOTE: HVAC COMPLETION. AT CONSTRUCTION COMPLETION:

- CONTRACTOR SHALL REPLACE ALL RETURN AIR FILTERS INSIDE ALL HVAC UNITS W/CLEAN NEW AIR FILTERS.
- CONTRACTOR SHALL SUPPLY AN ADDITIONAL CLEAN SET OF FILTERS TO THE OWNER AT JOB COMPLETION.
- CONTRACTOR SHALL SHOW THE STORE MANAGER THE LOCATION OF & INSTRUCT HIM/HER HOW TO CHANGE ALL AIR FILTERS.



CRAIG A. SCHNEIDER, AIA
ARCHITECT
1736 East Sunshine, Suite 417
Springfield, Missouri 65902
417.862.8558
Fax: 417.862.8265
e-mail: architect@esterysolutions.com

PROJECT:
NEW O'REILLY AUTO PARTS STORE
U.S. HIGHWAY 11
STRASBURG, VA
HVAC DETAILS



COMM # 4253
DATE: 11-2-18
REVISION DATE: