

CRIG A. SCHNEIDER, AIA
ARCHITECT
 1736 East Sunshine, Suite 417
 Springfield, Missouri 65804
 Tel: 417.962.6588
 Fax: 417.962.6265
 e-mail: architect@estertysenclider.com

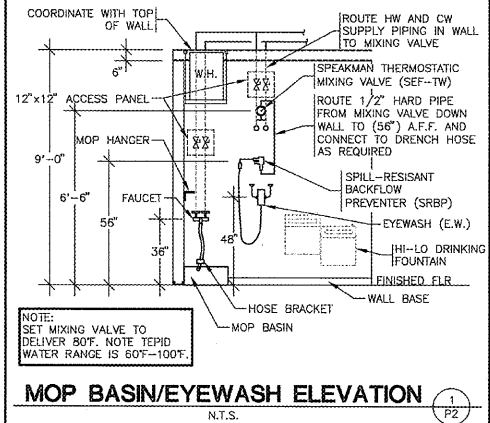
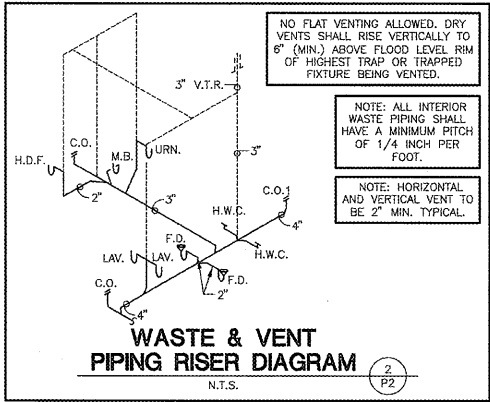
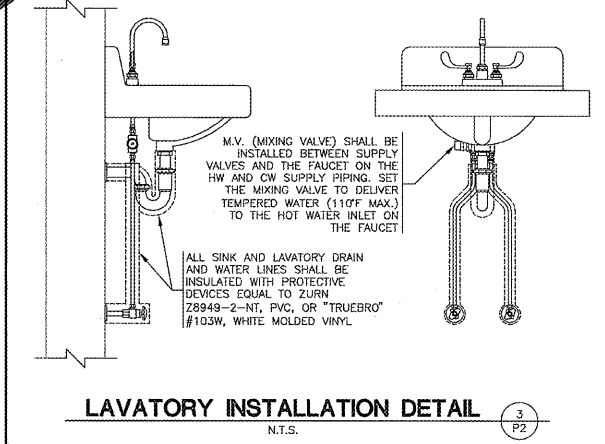
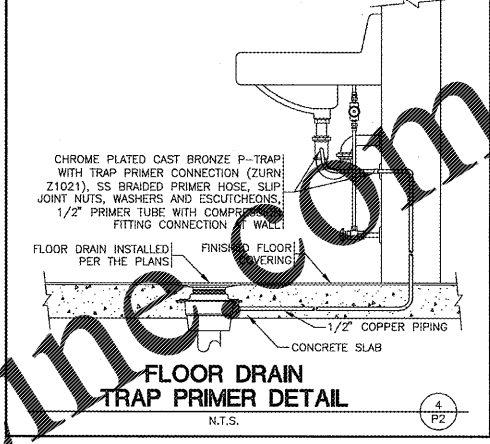
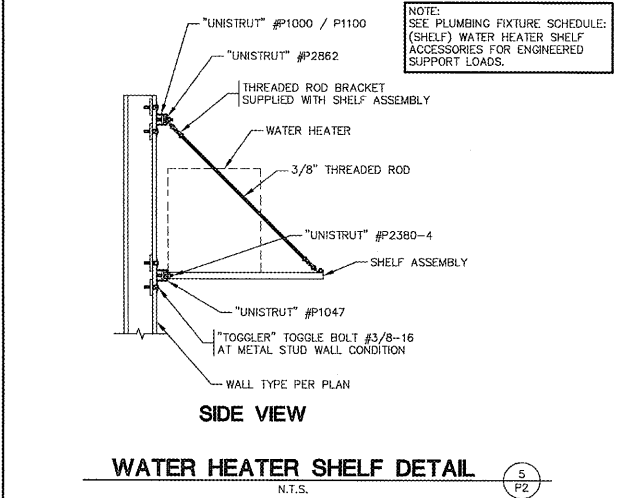
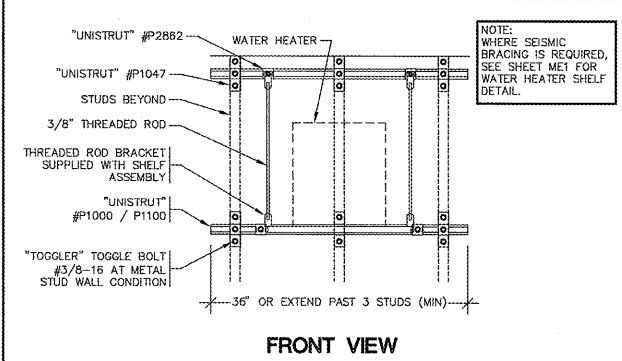
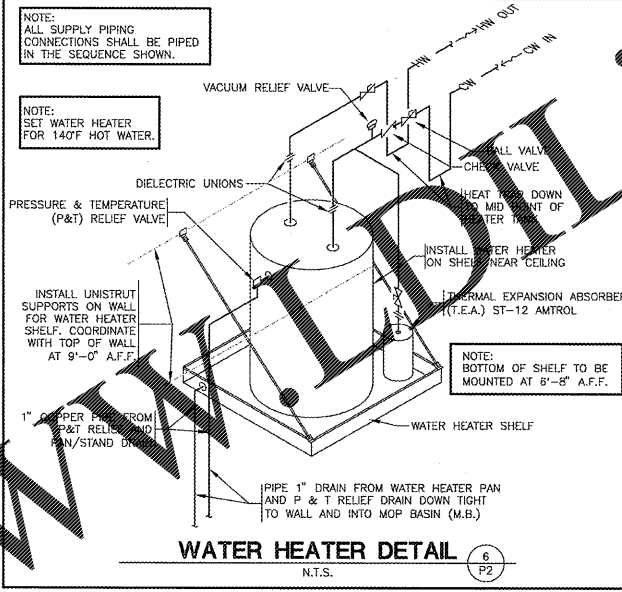
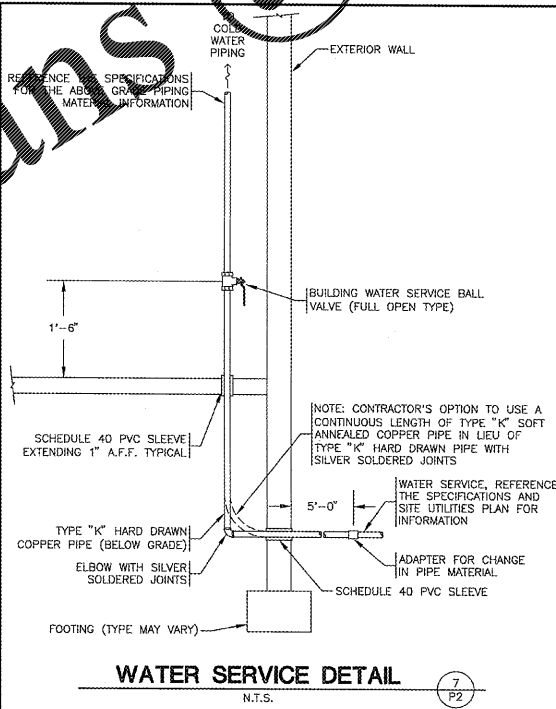
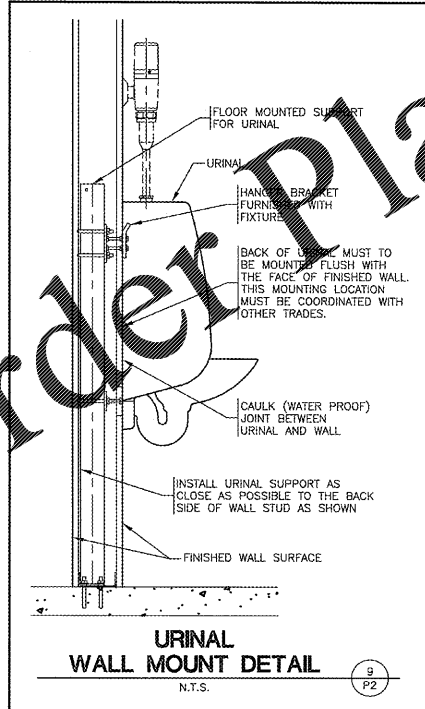
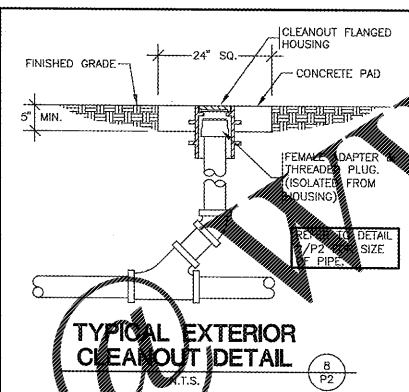
PROJECT:
NEW O'REILLY AUTO PARTS STORE
U.S. HIGHWAY 11
STRASBURG, VA
PLUMBING DETAILS

O'Reilly AUTO PARTS
 CORPORATE OFFICES
 233 SOUTH PATTERSON
 SPRINGFIELD, MISSOURI 65802
 (417) 862-2674 TELEPHONE

COMM # 4253
 DATE: 11-2-18
 REVISION
 DATE:

PLUMBING CALCULATIONS

FIXTURE	QUANTITY	TOTAL-SFU	TOTAL	TOTAL-HW	TOTAL	DFU	TOTAL
W.C. (TANK)	2	5	10	0	0	4	8
URN. (URINAL)	1	5	5	0	0	4	4
LAV. (LAVATORY)	2	2	4	1.5	3.00	2	4
M.B. (MOP BASIN)	1	3	3	1.5	1.50	2	2
H.D.F. (FOUNTAIN)	1	0.25	0.25	0	0	0.5	0.50
H.B. (HOSE BIBB)	2	3	6	0	0	0	0
TOTAL		28.25	TOTAL	4.50	TOTAL	18.50	
TOTAL CW GPM	20		AVERAGE DAILY FLOW = 125 gal/DAY				
COLD WATER SERVICE SIZE	1"						



Order Plans