



11-2-18

GENERAL NOTES

- (A) REFER TO PROJECT MANUAL AND SCOPE OF WORK SCHEDULE FOR ADDITIONAL REQUIREMENTS.
- (B) SHEET METAL AND ROOFING CONSTRUCTION SHALL COMPLY WITH NATIONAL ROOFING CONTRACTORS ASSOCIATION (NRCA) AND SHEET METAL AND AIR CONDITIONING CONTRACTORS NATIONAL ASSOCIATION (SMACNA) DESIGN STANDARDS AND RECOMMENDATIONS.

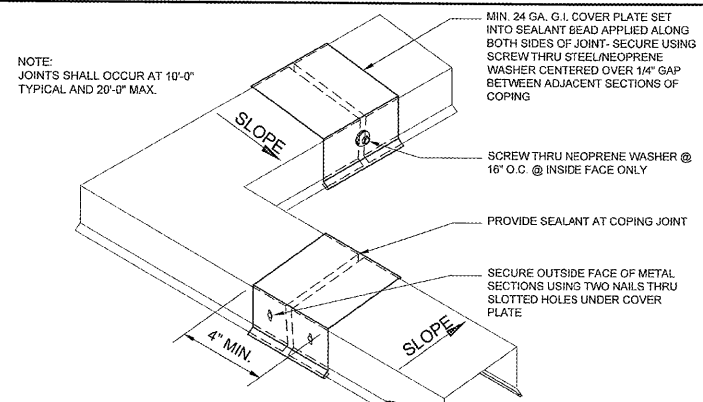
CRAIG A. SCHNEIDER, AIA
ARCHITECT

417.862.0558
 Fax: 417.862.3265
 e-mail: archrct@estesjschneider.com

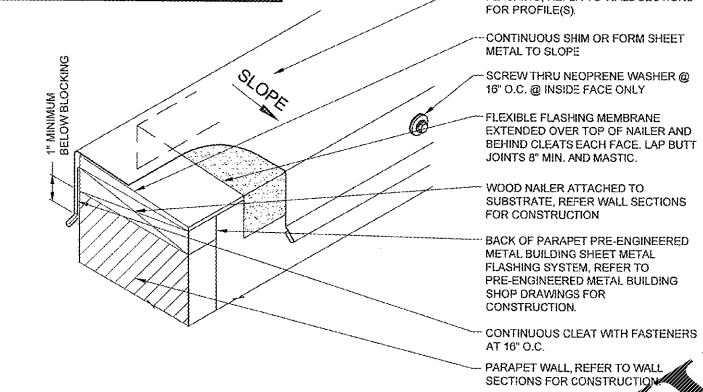
PROJECT:
NEW O'REILLY AUTO PARTS STORE
U.S. HIGHWAY 11
STRASBURG, VA
EXTERIOR DETAILS

O'Reilly AUTO PARTS
 CORPORATE OFFICES
 233 SOUTH PATTERSON
 SPRINGFIELD, MISSOURI 65802
 (417) 862-2674 TELEPHONE

COMM #	4253
DATE:	11-2-18
REVISION	
DATE:	



NOTE:
 REFER TO SECTIONS AND DETAILS FOR WALL CONSTRUCTION ASSEMBLIES AND NOTATION.

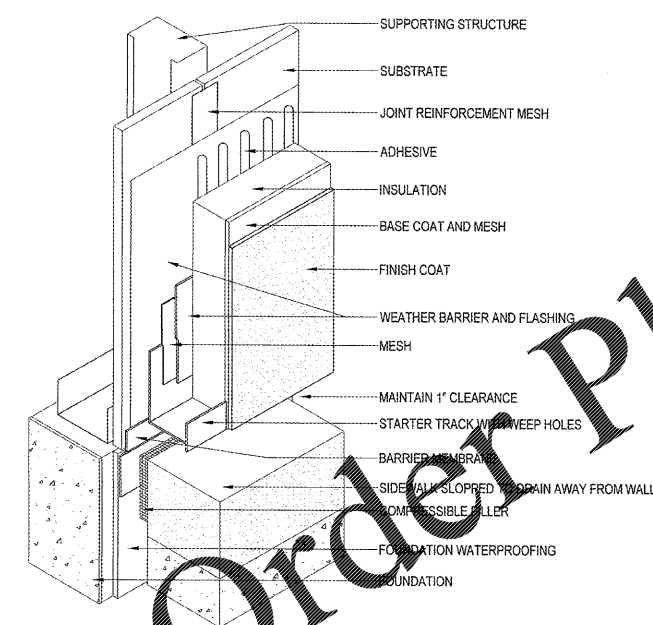


NOTE:
 REFER TO SECTIONS AND DETAILS FOR WALL CONSTRUCTION ASSEMBLIES AND NOTATION.

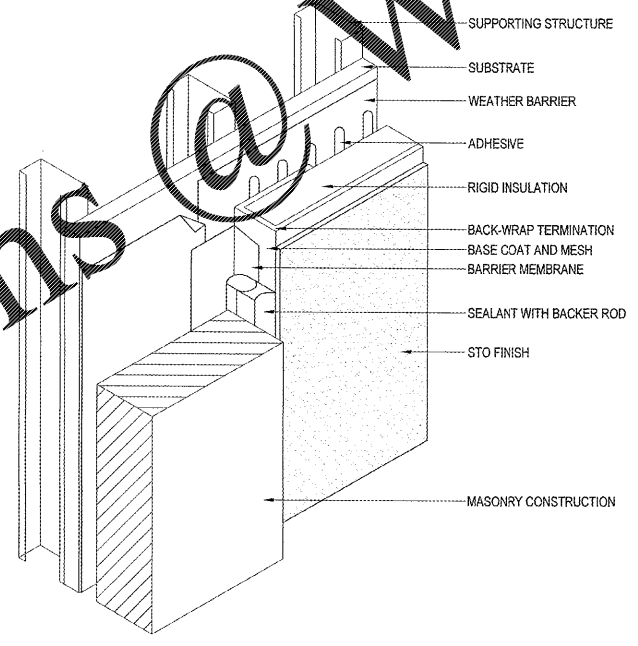
1 (NOT USED)
 A6.1 SCALE: N.T.S.

2 TYPICAL COPING FLASHING DETAIL
 A6.1 SCALE: N.T.S.

3 EIFS DECORATIVE JOINT DETAIL
 A6.1 SCALE: N.T.S.



NOTE:
 REFER TO SECTIONS AND DETAILS FOR WALL CONSTRUCTION ASSEMBLIES AND NOTATION.



NOTE:
 REFER TO SECTIONS AND DETAILS FOR WALL CONSTRUCTION ASSEMBLIES AND NOTATION.

4 EIFS TERMINATION DETAIL
 A6.1 SCALE: N.T.S.

5 EIFS TERMINATION DETAIL
 A6.1 SCALE: N.T.S.

NOTES:
 1. INSTALLATION TO BE COMPLETED IN ACCORDANCE WITH MANUFACTURER'S SPECIFICATIONS.

NOTES:
 1. INSTALLATION TO BE COMPLETED IN ACCORDANCE WITH MANUFACTURER'S SPECIFICATIONS.

Order Plans @ www.LDILine.com