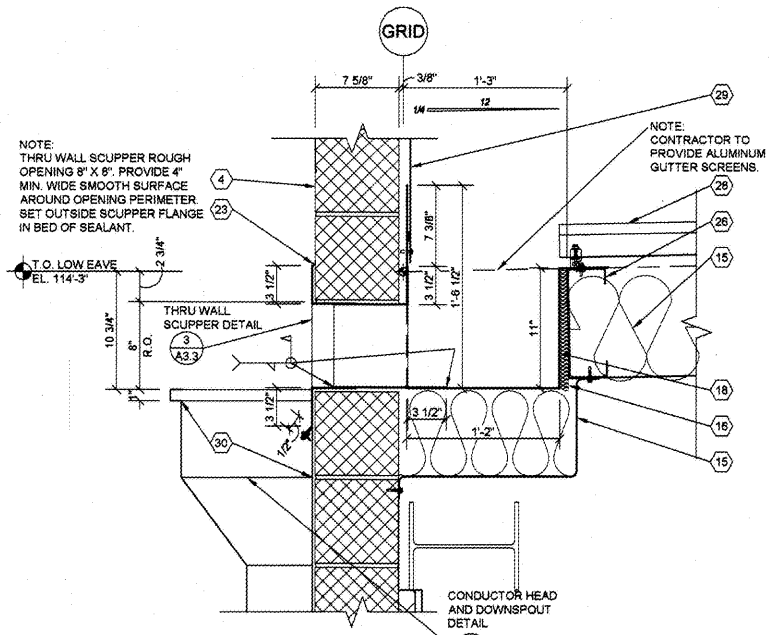


**GENERAL NOTES**

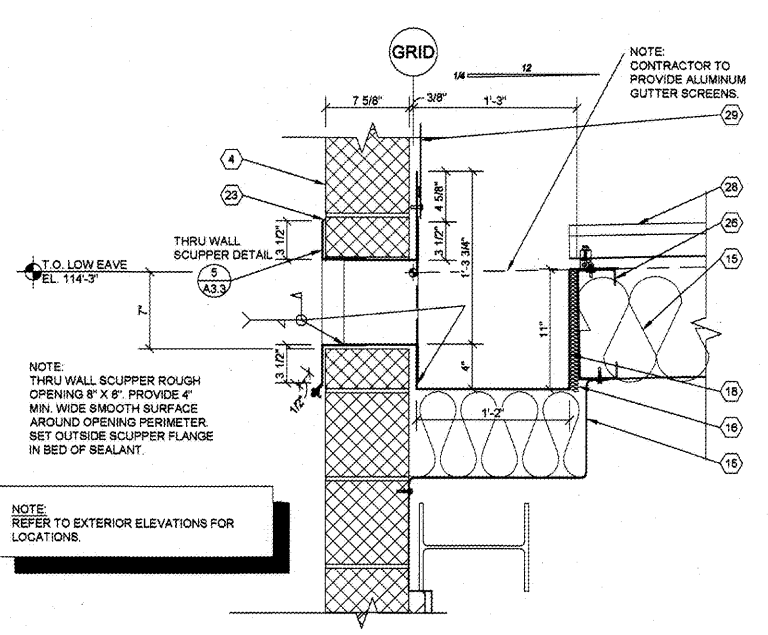
- (A) REFER TO PROJECT MANUAL AND SCOPE OF WORK SCHEDULE FOR ADDITIONAL REQUIREMENTS.
- (B) REFER TO CIVIL, STRUCTURAL, MECHANICAL, ELECTRICAL, PLUMBING, AND PRE-ENGINEERED METAL BUILDING (P.E.M.B.) SHOP DRAWINGS FOR ADDITIONAL REQUIREMENTS.
- (C) REFER TO INTERIOR AND EXTERIOR FINISH SCHEDULES FOR MATERIAL TYPES, COLORS AND FINISHES.
- (D) DIMENSIONS ARE TO FACE OF CONCRETE, MASONRY, FRAMING, OR CENTER LINE OF STRUCTURE UNLESS OTHERWISE INDICATED.
- (E) REFER TO EXTERIOR ELEVATIONS FOR OTHERWY CONTROL JOINT LOCATIONS.

**KEY NOTES**

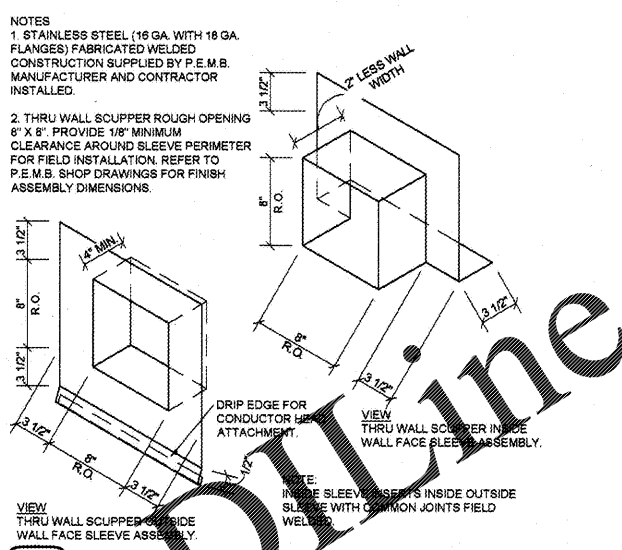
- (1) FINISH LAWN, PAVEMENT, OR SIDEWALK, SLOPE TO DRAIN AWAY FROM BUILDING. REFER TO C.D. DRAWINGS.
- (2) CONCRETE FLOOR SLAB. REFER TO STRUCTURAL DRAWINGS.
- (3) SPLIT FACE CONCRETE MASONRY UNIT (CMU), (7 5/8" X 7 5/8" X 15 5/8") IN RUNNING BOND WITH HORIZONTAL REINFORCEMENT AT 16" O.C. REFER TO STRUCTURAL DRAWINGS FOR VERTICAL REINFORCEMENT REQUIREMENTS.
- (4) SMOOTH FACE CONCRETE MASONRY UNIT (CMU), (7 5/8" X 7 5/8" X 15 5/8") IN RUNNING BOND WITH HORIZONTAL REINFORCEMENT AT 16" O.C. REFER TO STRUCTURAL DRAWINGS FOR VERTICAL REINFORCEMENT REQUIREMENTS.
- (5) 1 1/4" (20 GAGE) DOUBLE LEG COLD FORM METAL RESILIENT CHANNEL FRAMING AT 24" O.C. HORIZONTAL.
- (6) 6" COLD FORM METAL FRAMING, REFER TO STRUCTURAL DRAWINGS.
- (7) 6" COLD FORM METAL FRAMING, REFER TO STRUCTURAL DRAWINGS.
- (8) 6" (18 GA.) COLD FORM METAL STUD FRAMING AT 24" O.C. ATTACHED TO PRE-ENGINEERED METAL BUILDING STRUCTURAL FRAMING SYSTEM.
- (9) COLD FORM METAL STUD FRAMING CLIP, REFER TO STRUCTURAL DRAWINGS.
- (10) 1 1/2" (25 GA.) COLD FORM METAL Z-FURRING FRAMING AT 24" O.C. AND POLYISOCYANURATE (R-9 MIN.) RIGID INSULATION BOARD WITH FOIL FACE VAPOR BARRIER.
- (11) FIRE TREATED 2X NAILER(S) CONTINUOUS. CUT TO FIT WALL WIDTH. ATTACHED TO METAL STUD FRAMING WITH #12 SCREWS AT 24" O.C. STAGGERED. ATTACHED TO CMU BOND BEAM WITH 1/2" DIA. ANCHORS AT 32" O.C.
- (12) FIRE TREATED 2X NAILER OR BLOCKING.
- (13) EXTERIOR INSULATION FINISH SYSTEM (EIFS) OVER RIGID INSULATION DRAINAGE BOARD IN THICKNESS INDICATED.
- (14) EXTERIOR INSULATION FINISH SYSTEM (EIFS) DRIP.
- (15) PRE-ENGINEERED METAL BUILDING ROOF INSULATION (R-36) LINER SYSTEM. (REFER TO SCOPE OF WORK SCHEDULE) VAPOR BARRIER OVER HIGH STRENGTH STEEL SUSPENSION STRAPS ATTACHED TO BOTTOM OF PRE-ENGINEERED METAL BUILDING ROOF PURLINS WITH (1) LAYER 8" (R-25) UN-FACED BATT INSULATION PARALLEL WITH ROOF PURLIN CAVITY AND (1) LAYER 3 1/2" (R-11) UN-FACED BATT INSULATION PERPENDICULAR OVER TOP OF ROOF PURLINS.
- (16) 6" (R-19) BATT INSULATION WITH FOIL FACE VAPOR BARRIER.
- (17) FLEXIBLE FLASHING CONTINUOUS TO LAP OVER NAILERS AND DOWN BEHIND CONTINUOUS CLEATS ON BOTH SIDES. LAP JOINTS 8" MINIMUM AND MASTIC.
- (18) PRE-ENGINEERED METAL BUILDING STAINLESS STEEL INTERNAL GUTTER AND THRU WALL SCUPPER SYSTEM. REFER TO P.E.M.B. SHOP DRAWINGS FOR SIZES. CONTRACTOR TO PROVIDE PRE-MANUFACTURED ALUMINUM GUTTER SCREENS.
- (19) 6" EXTERIOR FIBERGLASS REINFORCED SHEATHING WITH CONTINUOUS WEATHER BARRIER. REFER TO STRUCTURAL DRAWINGS FOR ATTACHMENT REQUIREMENTS.
- (20) 5/8" TYPE "X" GYPSUM BOARD. REFER TO INTERIOR WALL TYPES FOR ADDITIONAL REQUIREMENTS.
- (21) SUSPENDED ACOUSTICAL LAY - IN CEILING SYSTEM. REFER TO INTERIOR FINISH SCHEDULE FOR TYPES AND LOCATIONS.
- (22) FLOORING AND BASE, REFER TO INTERIOR FINISH SCHEDULE FOR TYPES AND LOCATIONS.
- (23) SEALANT WITH BACKER ROD (WHERE REQUIRED) TYPICAL AT OPENING PERIMETER JOINTS.
- (24) ALUMINUM WINDOW SYSTEM. REFER TO FLOOR PLAN AND WINDOW SCHEDULES FOR TYPES.
- (25) DOOR AND FRAME SYSTEM. REFER TO FLOOR PLAN AND SCHEDULES FOR TYPES.
- (26) PRE-ENGINEERED METAL BUILDING PRIMARY AND SECONDARY STRUCTURAL FRAMING SYSTEMS.
- (27) PRE-ENGINEERED METAL BUILDING TRANSITION SUPPORT PLATE ASSEMBLY.
- (28) PRE-ENGINEERED METAL BUILDING ROOF PANEL SYSTEM WITH THERMAL SPACER BLOCKS (R-5 MIN.).
- (29) PRE-ENGINEERED METAL BUILDING SHEET METAL FLASHING, COUNTER - FLASHING, CONTINUOUS CLEATS, DRIPS CLOSURES, TRANSITIONS, COPINGS AND ACCESSORIES AS REQUIRED.
- (30) SHEET METAL (24 GA.) CONDUCTOR HEAD AND DOWNSPOUT SYSTEM. REFER TO EXTERIOR ELEVATIONS FOR LOCATIONS. PROVIDE WALL MOUNTING BRACKETS AT 8'-0" O.C. MAXIMUM.
- (31) SURFACE MOUNTED WALL SIGN, OWNER FURNISHED AND INSTALLED. (REFER TO SCOPE OF WORK SCHEDULE). PROVIDE BACKING AND ELECTRICAL ROUGH-IN. REFER TO ELECTRICAL DRAWINGS.
- (32) RECESSED LIGHTING FIXTURE, REFER TO ELECTRICAL DRAWINGS FOR TYPE AND LOCATION.
- (33) MANUFACTURED STONE VENEER. INSTALL PER MANUFACTURERS RECOMMENDATIONS. REFER TO EXTERIOR ELEVATIONS AND EXTERIOR FINISH SCHEDULE FOR MORE INFORMATION.
- (34) MANUFACTURED STONE SILL. INSTALL PER MANUFACTURERS RECOMMENDATIONS. REFER TO EXTERIOR ELEVATIONS AND EXTERIOR FINISH SCHEDULE FOR MORE INFORMATION.



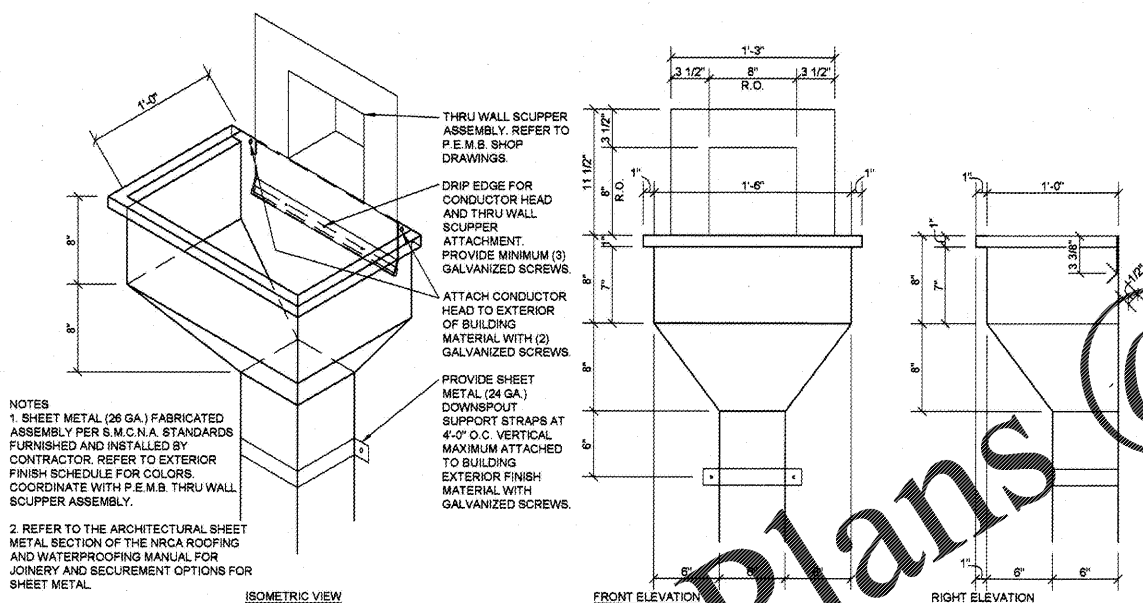
**1 THRU WALL SCUPPER DETAIL-PRIMARY**  
A3.3 SCALE: 1 1/2" = 1'-0"



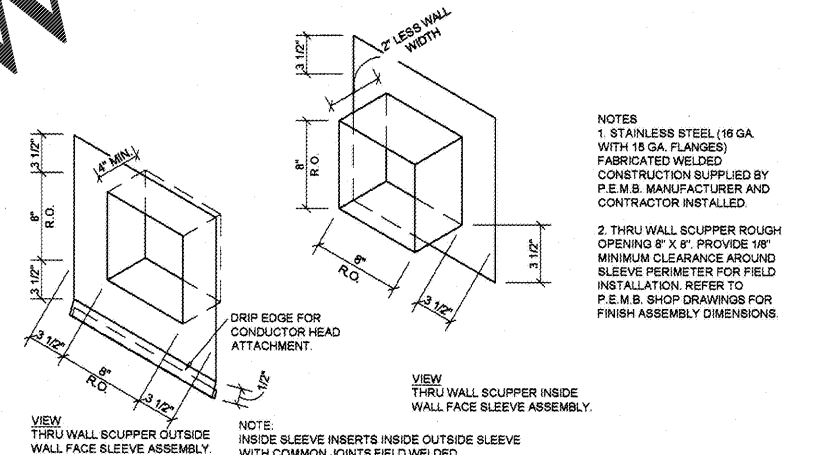
**2 THRU WALL SCUPPER DETAIL-SECONDARY**  
A3.3 SCALE: 1 1/2" = 1'-0"



**3 THRU WALL SCUPPER DETAIL**  
A3.3 SCALE: NOT TO SCALE



**4 CONDUCTOR HEAD & DOWNSPOUT DETAIL**  
A3.3 SCALE: 1 1/2" = 1'-0"



**5 THRU WALL SCUPPER DETAIL-SECONDARY**  
A3.3 SCALE: NOT TO SCALE

Order Plans @ WWW.ONLINE



**CRAIG A. SCHNEIDER, AIA**  
ARCHITECT  
1736 East teaching, suite 417  
Springfield, Missouri 65804  
417.862.8586  
417.862.2366  
e-mail: architect@entificschneider.com

PROJECT:  
**NEW O'REILLY AUTO PARTS STORE**  
U.S. HIGHWAY 11  
STRASBURG, VA  
**SCUPPER DETAILS**

**O'Reilly AUTO PARTS**  
CORPORATE OFFICES  
233 SOUTH PATTERSON  
SPRINGFIELD, MISSOURI 65802  
(417) 862-2874 TELEPHONE

COMM #	4253
DATE:	6-20-19
REVISION	
DATE:	