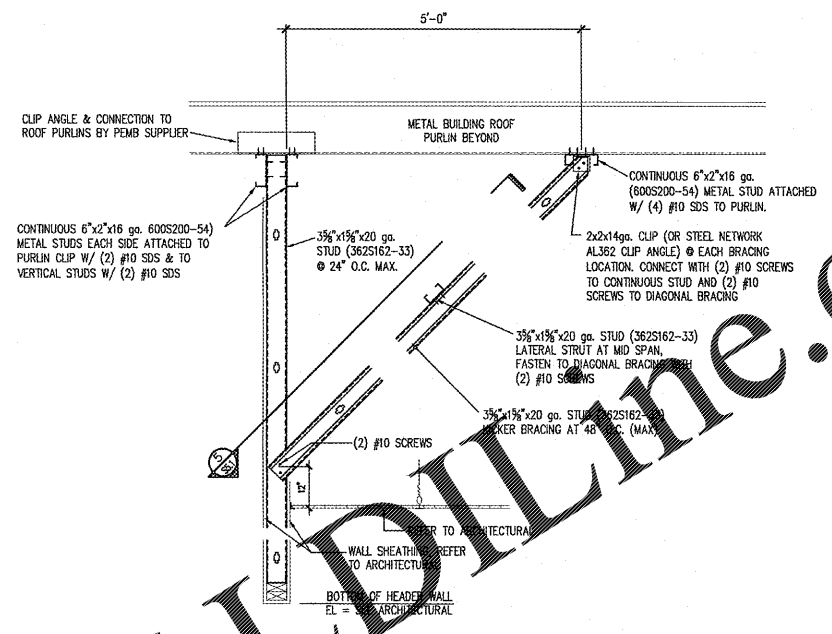
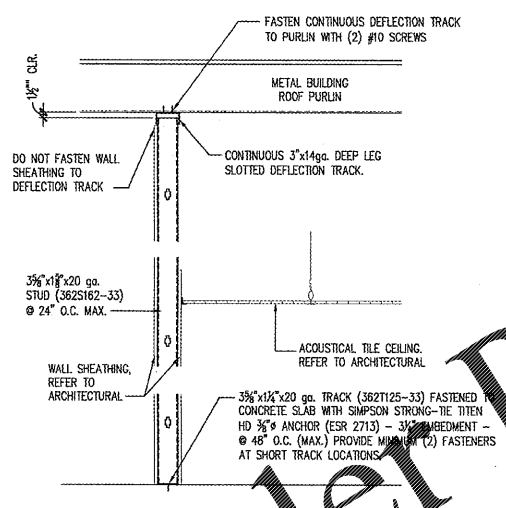


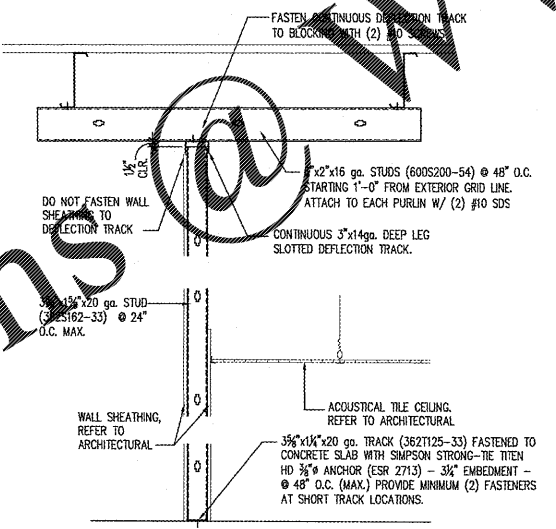
1 SECTION
 S5.1 SCALE: 3/4" = 1'-0"



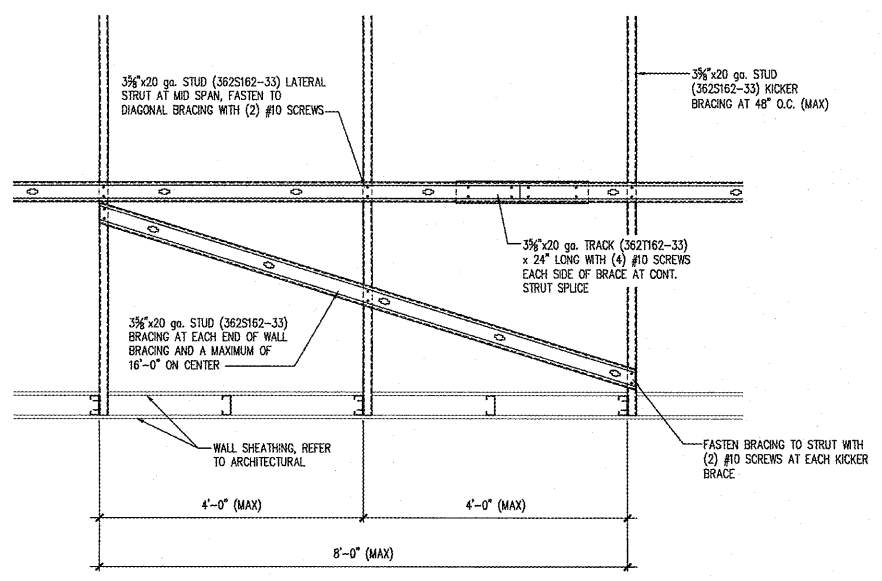
2 SECTION
 S5.1 SCALE: 3/4" = 1'-0"



3 SECTION
 S5.1 SCALE: 3/4" = 1'-0"



4 SECTION
 S5.1 SCALE: 3/4" = 1'-0"



5 SECTION
 S5.1 SCALE: 3/4" = 1'-0"

Order Plans @ www.LDOnline.com



CRAIG A. SCHNIDER, AIA
 ARCHITECT
 1736 East Sanborn, Suite 417
 Springfield, Missouri 65804
 Phone: 417-862-0558
 Fax: 417-862-3265
 e-mail: architect@estortyschneider.com

PROJECT:
 NEW O'REILLY AUTO PARTS STORE
 U.S. HIGHWAY 11
 STRASBURG, VA
FRAMING DETAILS

O'Reilly AUTO PARTS
 CORPORATE OFFICES
 235 SOUTH PATTERSON
 SPRINGFIELD, MISSOURI 65802
 (417) 862-2674 TELEPHONE

COMM # 4263
 DATE: 11-2-18
 REVISION
 DATE:

Jeffrey S. Smith, P.E.
 Jeffrey S. Smith P.E. 018070
 1801 W 32nd St. Bldg B Ste 104 * JOPLIN, MISSOURI 64802
 P.O. Box 8102 * JOPLIN, MISSOURI 64802
 PHONE: 417-624-0444 * FAX: 417-624-0430