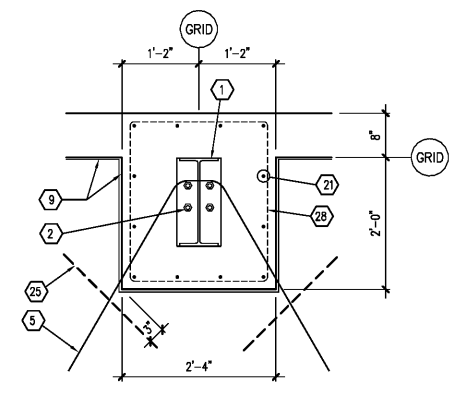
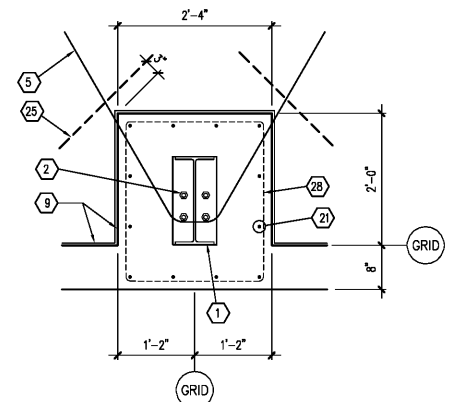


1 ANCHOR ASSEMBLY
S3.2 SCALE: NONE

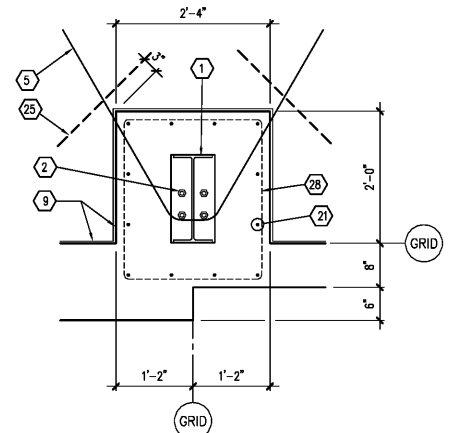
NOTE: ANCHOR BOLT ASSEMBLY TO BE PLACED IN FORM PRIOR TO POURING CONCRETE. BOLT MATERIAL MAY BE F1554 GR. 36, OR CONTINUOUSLY THREADED A36 ROD. ALL ANCHOR BOLTS SHALL BE CLEAN AND FREE OF ALL OIL, GREASE, ICE, ETC.



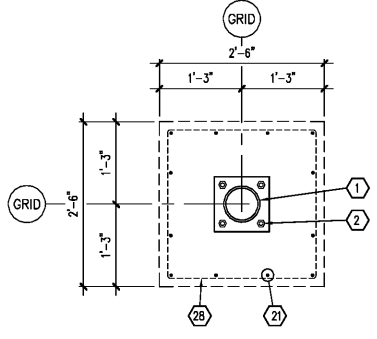
2 DETAIL
S3.2 SCALE: 3/4" = 1'-0"



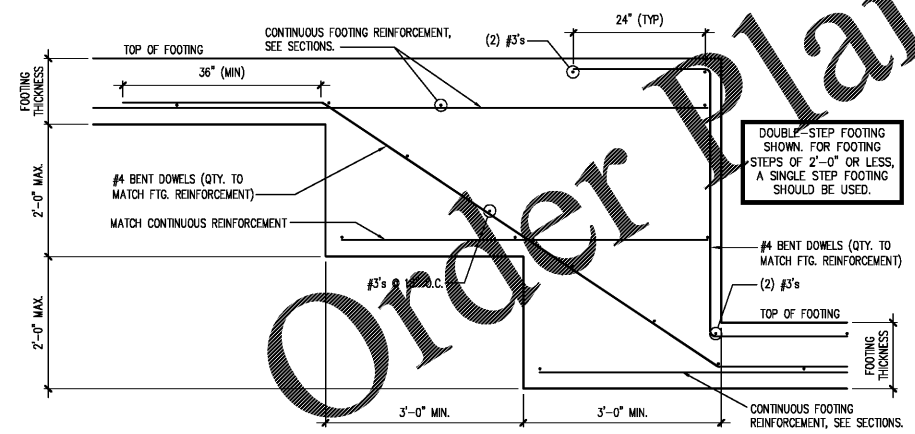
3 DETAIL
S3.2 SCALE: 3/4" = 1'-0"



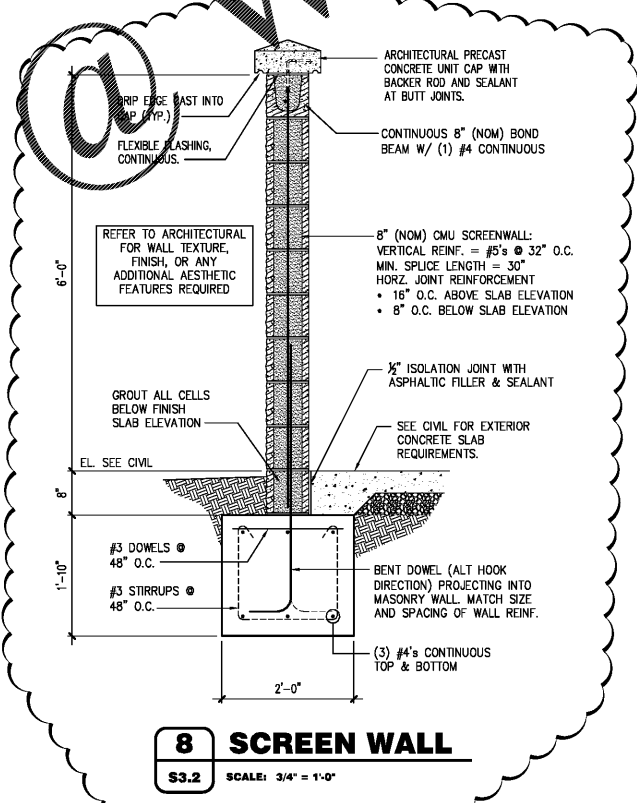
4 DETAIL
S3.2 SCALE: 3/4" = 1'-0"



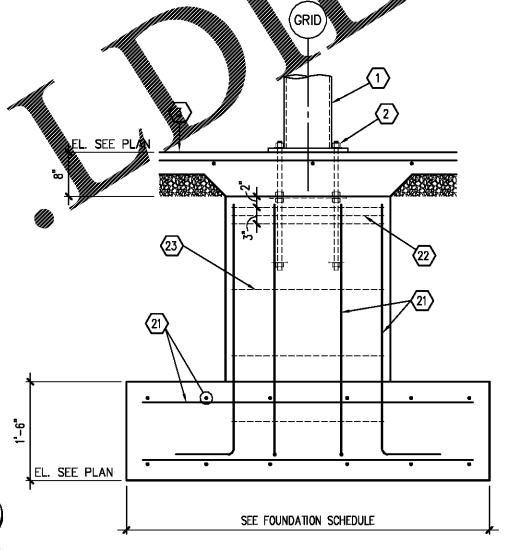
5 SECTION
S3.2 SCALE: 3/4" = 1'-0"



7 TYPICAL STEPPED FOOTING
S3.2 SCALE: 3/4" = 1'-0" (IF NEEDED)



8 SCREEN WALL
S3.2 SCALE: 3/4" = 1'-0"



6 SECTION
S3.2 SCALE: 3/4" = 1'-0"

- KEYNOTES**
- PRE-ENGINEERED METAL BUILDING STRUCTURAL SYSTEM. SEE P.E.M.B. SHOP DRAWINGS FOR ADDITIONAL INFORMATION.
 - ANCHOR BOLTS. SEE FOUNDATION SCHEDULE AND PRE-ENGINEERED METAL BUILDING DRAWINGS FOR SIZE, QUANTITY AND PLAN LOCATION. SEE 1/S3.2 FOR TYPICAL SHOP FABRICATED ANCHOR ASSEMBLY.
 - INTERIOR CONCRETE SLAB SEE FOUNDATION PLAN.
 - 8" (NOM) SPLIT FACE OR SMOOTH FACE CMU. REFER TO STRUCTURAL NOTES ON SHEET S1 FOR WALL VERTICAL AND HORIZONTAL REINFORCEMENT
 - SLAB HAIRPIN. SEE DETAIL 9/S3.1
 - #4 BENT DOWEL @ 18" O.C. (ALTERNATE HOOK DIRECTION)
 - #4 CONTINUOUS BARS @ 12" O.C. VERTICALLY
 - (2) #4's CONTINUOUS.
 - 3/8" OR 1/2" ISOLATION JOINT WITH ASPHALTIC FILLER & SEALANT
 - RIGID INSULATION BEING LOCATED AS SHOWN AT PERIMETER OF BUILDING. (R-10 MINIMUM REQUIRED)
 - TACK WELD RIGID INSULATION 45 DEGREES AS SHOWN. POUR SLAB OVER INSULATION.
 - #4's CONTINUOUS (REINFORCEMENT TO RUN CONTINUOUS THRU COLUMN (TYP))
 - SEE FINISHING PLAN FOR FINISHED GRADES.
 - EXTERIOR DOOR LOCATIONS DRILL 6" DEEP HOLES FOR #4x1'-6" DOWELS @ 24" O.C. - APPLY ADHESIVE AND INSTALL DOWELS. SEE ADHESIVE SYSTEM NOTES SHEET S1 FOR ADHESIVE ANCHOR INSTALLATION
 - EXTERIOR CONCRETE SLAB OR SIDEWALK SEE FOUNDATION PLAN.
 - #3x4'-6" DOWEL @ 24" O.C. FIELD BEND AS SHOWN 24'
 - 8" THICK CONCRETE SLAB (REFER TO SLAB NOTE ON SHEET S2 FOR ADDITIONAL INFORMATION)
 - PAVING, SEE SITE DEVELOPMENT DRAWINGS FOR ADDITIONAL INFORMATION.
 - STEEL BOLLARD SEE SITE PLAN.
 - LINE OF CONTINUOUS FOOTING BEYOND
 - SEE FOUNDATION SCHEDULE FOR COLUMN PILASTER & FOOTING REINFORCEMENT.
 - (3) #3 TIES @ 12" O.C.
 - #3 TIES @ 12" O.C.
 - 6"x18gga METAL STUDS (600S162-43) @ 24" O.C. ATTACH TO CMU WALL W/ 3/16" SIMPSON TITEN MASONRY SCREWS @ 24" O.C. VERTICALLY. SEE STRUCTURAL FRAMING SECTIONS FOR SHEATHING ATTACHMENT. REFER TO ARCHITECTURAL FOR FINISHES AND ADDITIONAL REQUIREMENTS.
 - PROVIDE #4x4'-0" DOWEL AT ALL SLAB INSIDE CORNERS.
 - PROVIDE 1/2" ANCHOR BOLTS @ 48" O.C. MAX (1" EMBEDMENT & 2" HOOK)
 - NOT USED
 - SEE SECTION FOR REBAR TIES AND SPACING
 - FIRST COURSE TO BE 8" (NOM) SMOOTH OR SPLIT FACE BOND BEAM W/ (1) #5 CONT.
 - SEE ARCHITECTURAL FOR WALL FINISH.

Order Plans

WWW.LDILine.com

Jeffrey S. Smith, P.E.
 Jeffrey S. Smith P.E. 019070
 1801 W 32nd St Bldg B Site 104 * JOPLIN, MISSOURI 64804
 P.O. Box 8102 * JOPLIN, MISSOURI 64802
 PHONE: 417-624-0444 * FAX: 417-624-0430



CRAIG A. SCHNEIDER, AIA
 ARCHITECT
 1736 Earl Sunshine, Suite 417
 Springfield, Missouri 65804
 417.862.0558
 417.862.3265
 e-mail: architect@electricline.com

PROJECT:
NEW O'REILLY AUTO PARTS STORE
 U.S. HIGHWAY 11
 STRASBURG, VA

O'Reilly AUTO PARTS
 CORPORATE OFFICES
 235 SOUTH PATTERSON
 SPRINGFIELD, MISSOURI 65802
 (417) 862-2674 TELEPHONE

COMM # 4253
 DATE: 11-2-18
 REVISION DATE: 1-21-2020