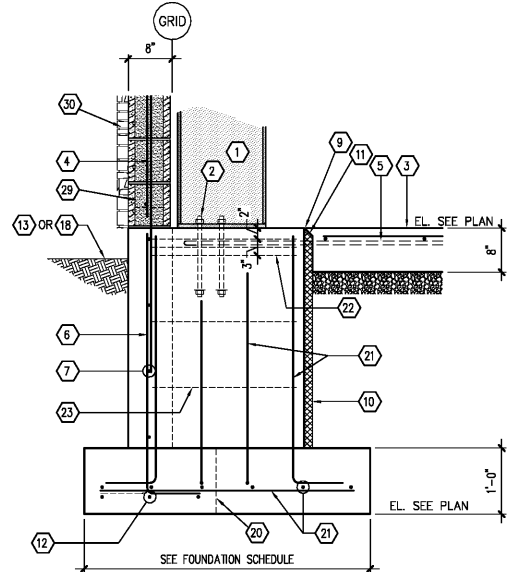
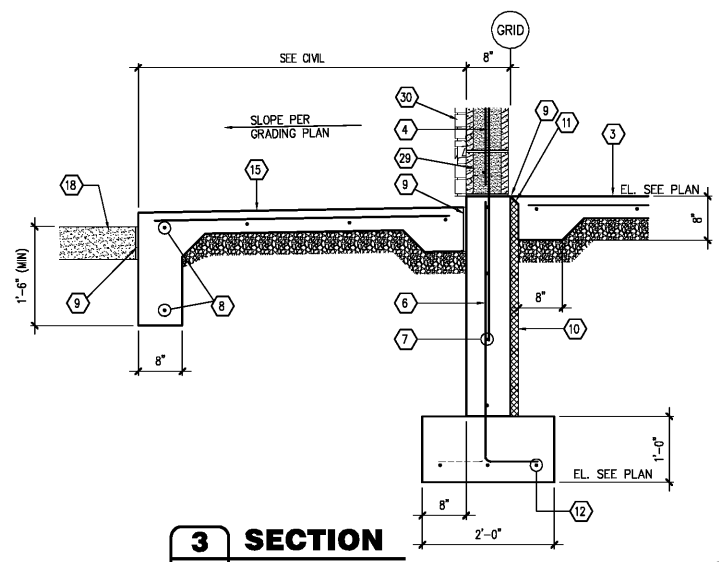


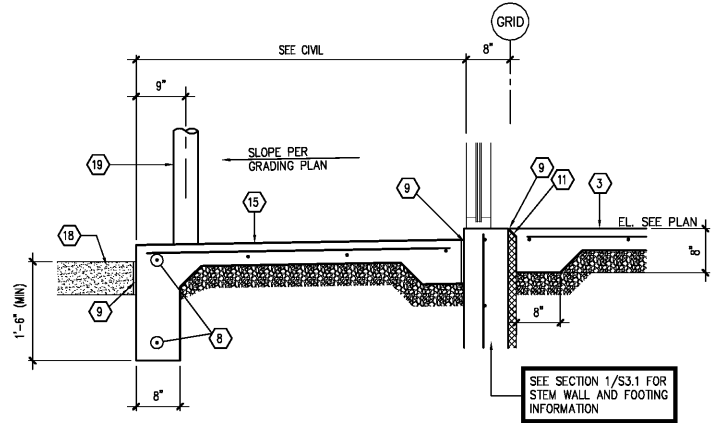
**1 SECTION**  
S3.1 SCALE: 3/4" = 1'-0"



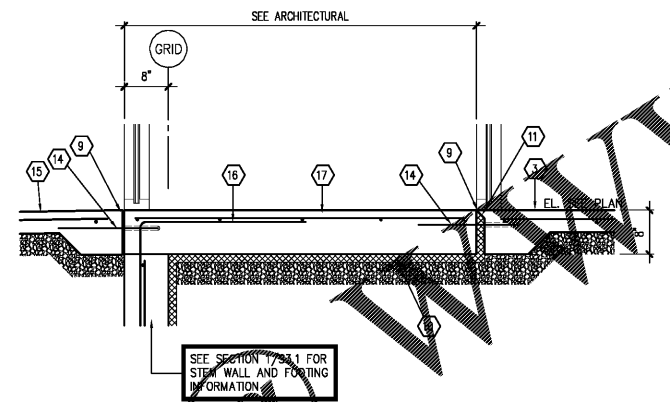
**2 SECTION**  
S3.1 SCALE: 3/4" = 1'-0"



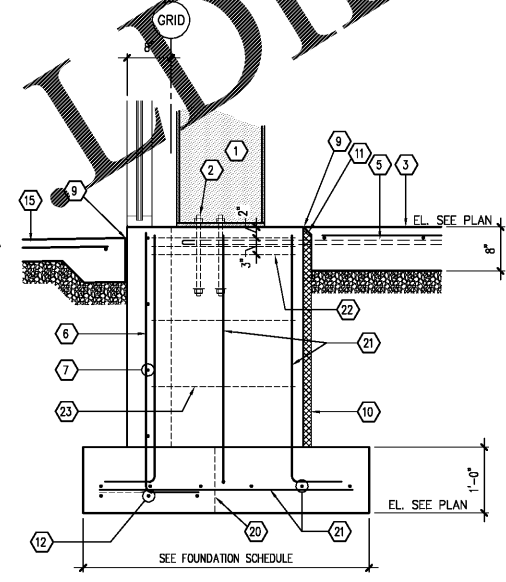
**3 SECTION**  
S3.1 SCALE: 3/4" = 1'-0"



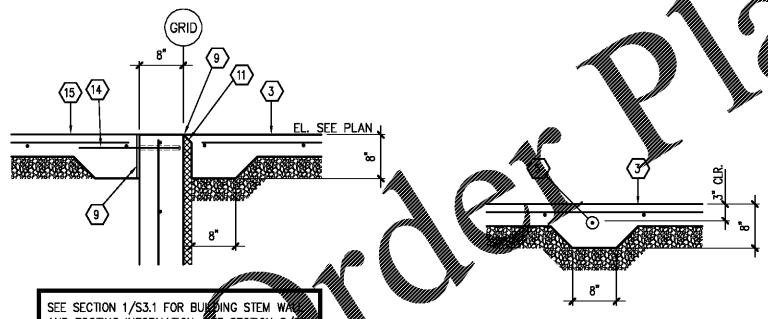
**4 SECTION**  
S3.1 SCALE: 3/4" = 1'-0"



**5 SECTION**  
S3.1 SCALE: 3/4" = 1'-0"

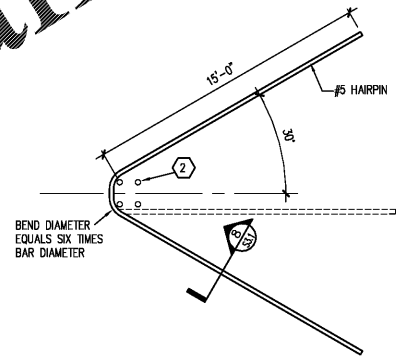


**6 SECTION**  
S3.1 SCALE: 3/4" = 1'-0"

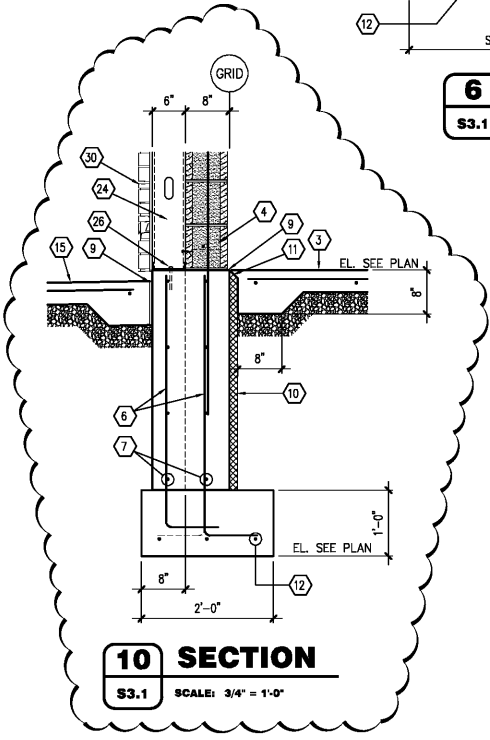


**7 SECTION**  
S3.1 SCALE: 3/4" = 1'-0"

**8 SECTION**  
S3.1 SCALE: 3/4" = 1'-0"



**9 TYPICAL HAIRPIN DETAIL**  
S3.1 SCALE: NONE



**10 SECTION**  
S3.1 SCALE: 3/4" = 1'-0"

**KEYNOTES**

- 1 PRE-ENGINEERED METAL BUILDING STRUCTURAL SYSTEM. SEE P.E.M.B. SHOP DRAWINGS FOR ADDITIONAL INFORMATION.
- 2 ANCHOR BOLTS. SEE FOUNDATION SCHEDULE AND PRE-ENGINEERED METAL BUILDING DRAWINGS FOR SIZE, QUANTITY AND PLAN LOCATION. SEE 1/S3.2 FOR TYPICAL SHOP FABRICATED ANCHOR ASSEMBLY.
- 3 INTERIOR CONCRETE SLAB SEE FOUNDATION PLAN.
- 4 8" (NOM) SPLIT FACE OR SMOOTH FACE CMU. REFER TO STRUCTURAL NOTES ON SHEET S1 FOR WALL VERTICAL AND HORIZONTAL REINFORCEMENT.
- 5 SLAB HAIRPIN, SEE DETAIL 9/S3.1.
- 6 #4 BENT DOWEL @ 18" O.C. (ALTERNATE HOOK DIRECTION)
- 7 #4 CONTINUOUS BARS @ 12" O.C. VERTICALLY
- 8 (2) #4's CONTINUOUS.
- 9 3/8" OR 1/2" ISOLATION JOINT WITH ASPHALTIC TAPE & SEALANT
- 10 RIGID INSULATION BOARD LOCATED AS SHOWN AT PERIMETER OF BUILDING. (R-10 MINIMUM REQUIRED).
- 11 TAPER TOP OF RIGID INSULATION 45 DEGREES AS SHOWN. POUR SLAB OVER INSULATION.
- 12 (3) #4's CONTINUOUS REINFORCEMENT TO RUN CONTINUOUS THRU COLUMN (NOTING)
- 13 GRADING PLAN FOR FINISHED GRADES.
- 14 AT EXTERIOR DOOR LOCATIONS DRILL 6" DEEP HOLES FOR #4x1'-6" DOWELS @ 24" O.C. - APPLY ADHESIVE AND INSTALL DOWELS. SEE ADHESIVE SYSTEM NOTES SHEET S1 FOR ADHESIVE ANCHOR INSTALLATION
- 15 EXTERIOR CONCRETE SLAB OR SIDEWALK SEE FOUNDATION PLAN.
- 16 #3x4'-6" DOWEL @ 24" O.C. FIELD BEND AS SHOWN 24'
- 17 8" THICK CONCRETE SLAB (REFER TO SLAB NOTE ON SHEET S2 FOR ADDITIONAL INFORMATION)
- 18 PAVING, SEE SITE DEVELOPMENT DRAWINGS FOR ADDITIONAL INFORMATION.
- 19 STEEL BOLLARD SEE SITE PLAN.
- 20 LINE OF CONTINUOUS FOOTING BEYOND
- 21 SEE FOUNDATION SCHEDULE FOR COLUMN PLASTER & FOOTING REINFORCEMENT.
- 22 (3) #3 @ 12" O.C.
- 23 #3 TIES @ 12" O.C.
- 24 6"x18ga METAL STUDS (8005162-43) @ 24" O.C. ATTACH TO CMU WALL W/ 3/16" SIMPSON TITEN MASONRY SCREWS @ 24" O.C. VERTICALLY. SEE STRUCTURAL FRAMING SECTIONS FOR SHEATHING ATTACHMENT. REFER TO ARCHITECTURAL FOR FINISHES AND ADDITIONAL REQUIREMENTS.
- 25 PROVIDE #4x4'-0" DOWEL AT ALL SLAB INSIDE CORNERS.
- 26 PROVIDE 1/2" ANCHOR BOLTS @ 48" O.C. MAX (7" EMBEDMENT 2" HOOK)
- 27 NOT USED
- 28 SEE SECTION FOR REBAR TIES AND SPACING
- 29 FIRST COURSE TO BE 8" (NOM) SMOOTH OR SPLIT FACE BOND BEAM W/ (1) #5 CONT.
- 30 SEE ARCHITECTURAL FOR WALL FINISH.

Order Plans

WWW.DILine.com



**CRAIG A. SCHNEIDER, AIA**  
ARCHITECT  
1736 Earl Sunshine, Suite 417  
Springfield, Missouri 65804  
417.862.0558  
417.862.3265  
e-mail: architect@electricline.com

PROJECT:  
**NEW O'REILLY AUTO PARTS STORE**  
U.S. HIGHWAY 11  
STRASBURG, VA

**O'Reilly AUTO PARTS**  
CORPORATE OFFICES  
235 SOUTH PATTERSON  
SPRINGFIELD, MISSOURI 65802  
(417) 862-2674 TELEPHONE

COMM # 4253  
DATE: 11-2-18  
REVISION DATE: 1-21-2020

**Jeffrey S. Smith, P.E.**  
Jeffrey S. Smith P.E. 019070  
1801 W 32nd St. Bldg B Ste 104 JOPLIN, MISSOURI 64804  
P.O. Box 8102 JOPLIN, MISSOURI 64802  
PHONE: 417-624-0444 \* FAX: 417-624-0430