



CRAIG A. SCHNEIDER, AIA
ARCHITECT
 1736 East Sunshine, Suite 417
 Springfield, Missouri 65804
 417-862-8568
 Fax: 417-862-3265
 e-mail: architect@estertyschneider.com

PROJECT:
NEW O'REILLY AUTO PARTS STORE
U.S. HIGHWAY 11
STRASBURG, VA
EROSION CONTROL DETAILS

O'Reilly AUTO PARTS
 CORPORATE OFFICES
 233 SOUTH PATTERSON
 SPRINGFIELD, MISSOURI 65802
 (417) 862-2674 TELEPHONE

FORM # 4253
 DATE: 11-2-18
 REVISION DATE: 9-27-19

C3.3

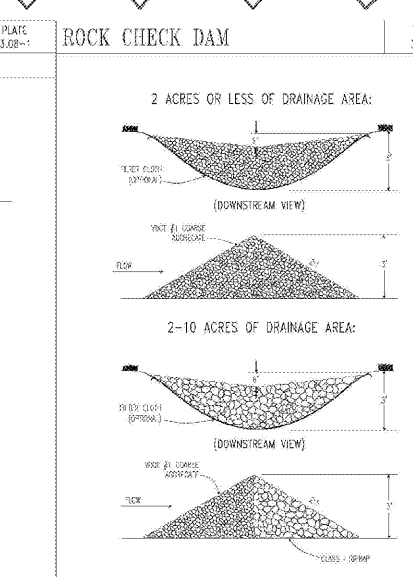
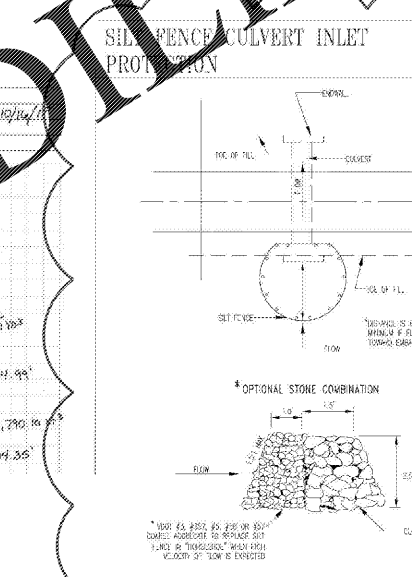
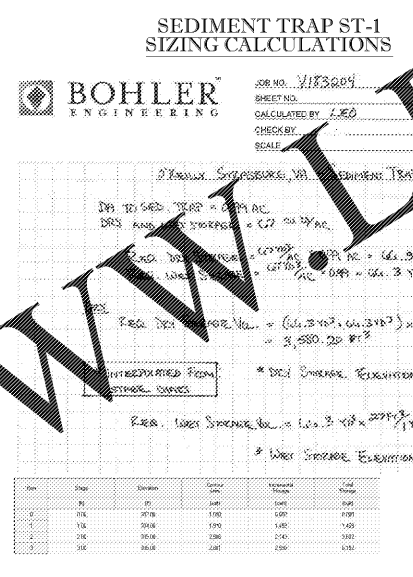
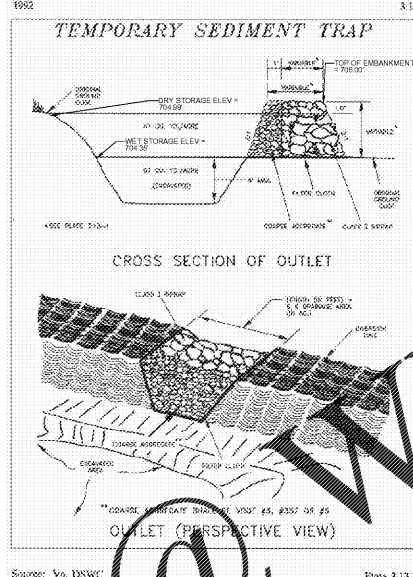
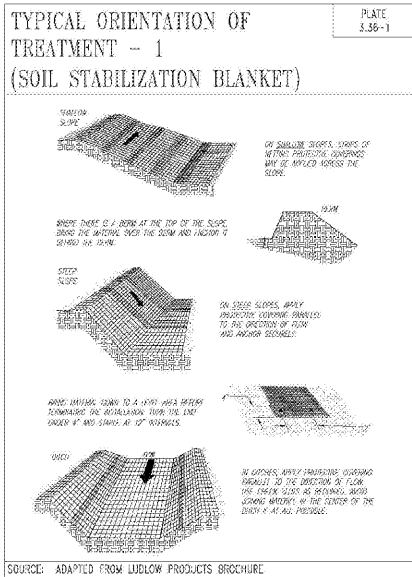
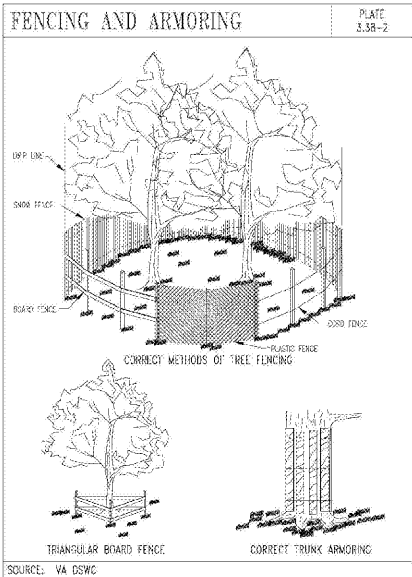
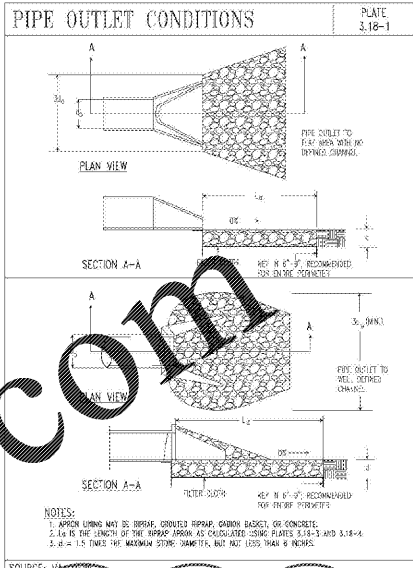
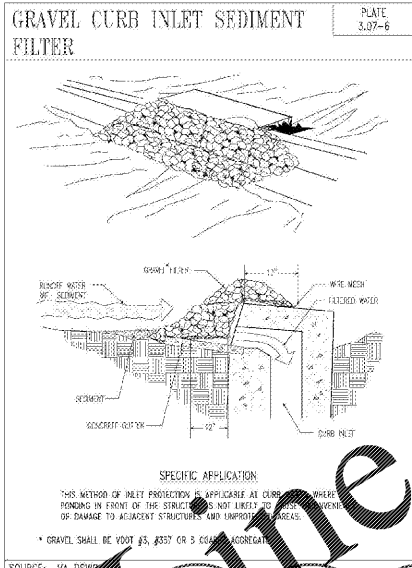
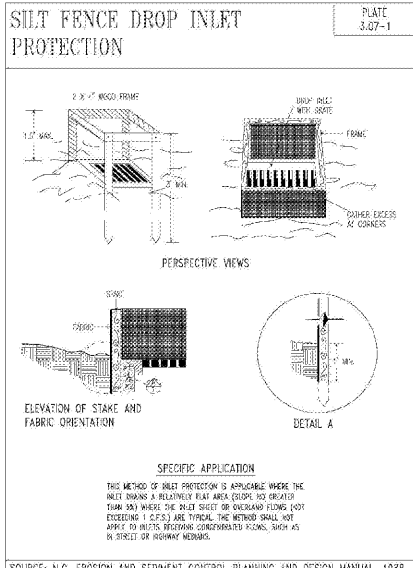
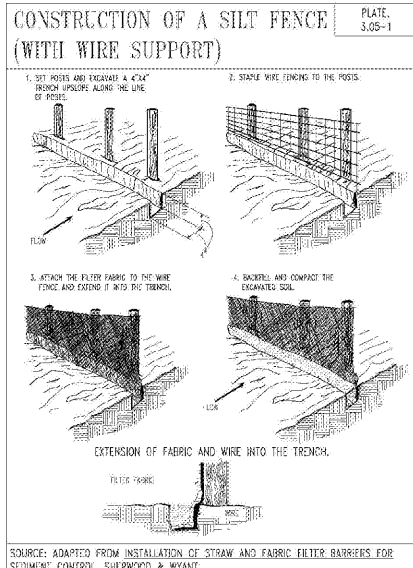
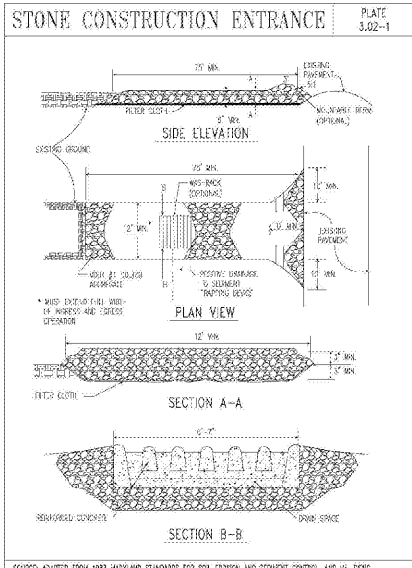
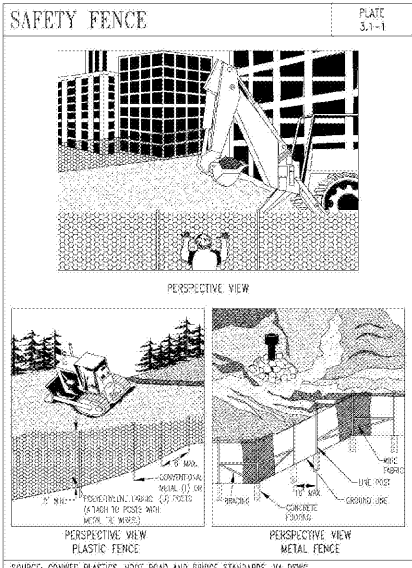


TABLE 3.32-C SITE SPECIFIC SEEDING MIXTURES FOR APPALACHIAN/MOUNTAIN AREA

Minimum Care Level	Total Lbs. Per Acre
Commercial or Residential - Kentucky 31 or Turf-Type Tall Fescue - Improved Perennial Ryegrass - Kentucky Bluegrass	200-250 lbs. 90-100% 3-10% 0-10%
High-Maintenance Lawn Minimum of three (3) up to five (5) varieties of bluegrass from approved list for use in Virginia.	125 lbs.
General Slope (3:1 or less) - Kentucky 31 Fescue - Red Top Grass - Seasonal Nurse Crop **	125 lbs. 2 lbs. 20 lbs. 150 lbs.
Low-Maintenance Slope (Steeper than 3:1) - Kentucky 31 Fescue - Red Top Grass - Seasonal Nurse Crop ** - Clover/Orchardgrass ***	100 lbs. 2 lbs. 20 lbs. 70 lbs. 150 lbs.

*** If Fescue is used, increase to 50 lbs./acre. All legume seed should be inoculated. Weeping Lovegrass may also be included in any type of low-maintenance mixture during winter seeding periods, add 20-30 lbs./acre to mixes.

TABLE 3.33-A TYPE OF SOIL AVAILABLE IN VIRGINIA AND RECOMMENDED USES

Kentucky Bluegrass: Adapted to the Northern Piedmont and Mountain Regions. Individual varieties selected must make up no more than 35% of the total mixture on a weight basis. All varieties must be certified. Selections can be made from Categories I and II at various combinations of Categories I, II and III notes.

Category I - Recommended Kentucky Bluegrass Varieties:
 65% - 100% A-34, Albany, Annet, Baron, Blacksburg, Bristol, Cherif, Crenshaw, Crenshaw, Classic, Coventry, Georgetown, Gladstone, Ham, Julia, Liberty, Loft's, Mark, Merck, Midland, Monterey, Phish, Princeton, Rusty, Suttink, V.

Category II - Acceptable varieties. If used, must contain at least 65% Kentucky Bluegrass.
 10-35% Bristol, Columbia, Georgetown, Glade, Midnight, Treadwell.

Category III - Promising Kentucky Bluegrass - Limited performance data or seed availability
 10-35% Dewa, Enatic, Freedom, Kelly

** (continued)**

TABLE 3.33-A (CONTINUED) TYPE OF SOIL AVAILABLE IN VIRGINIA AND RECOMMENDED USES

Tall Fescue: Adapted to the entire state.
 Recommended Tall Fescue Varieties:
 90-100% Anigo, Apache, Bosentan, Chieftain, Finelawn, SGL, Mesa, Rebel II, Sheasandran, Tribute

Promising Tall Fescues
 Certified Aristo, Austin, Avanti, Aztec, Cochise, Crossfire, Emerald, Hubbard ST, Jaguar II, Maverick II, Monarch, Olympia II, Phoenix, Salari, Shortstop, Sandstone, Taurus, Thunderbolt, Titan, Tradition, Vegas, Winchester, Wrangler

6-10% Kentucky Bluegrass: Baron, Cherif, Columbia, Monopoly, Nassau, Ham I, Vista

Bermudagrass: Tahoma is adapted to the Richmond-Danville-Newport News triangle. Marion may be used east of Roanoke and south of Charlottesville. Tigress and Tiway may be used to the east and south of Richmond. Vastrel may be used east of Roanoke and at lower elevations in southwestern Virginia.

Certified Midcon, Tigress, Tiway, Tiway II, Tufente and Vantel

Zoysiagrass: This soil performs best in southeastern Virginia.
 Meyer, Emerald

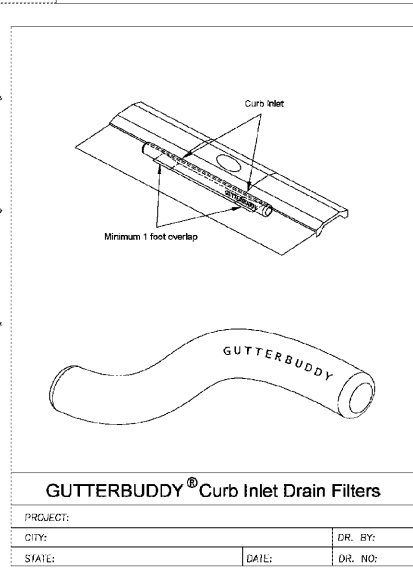
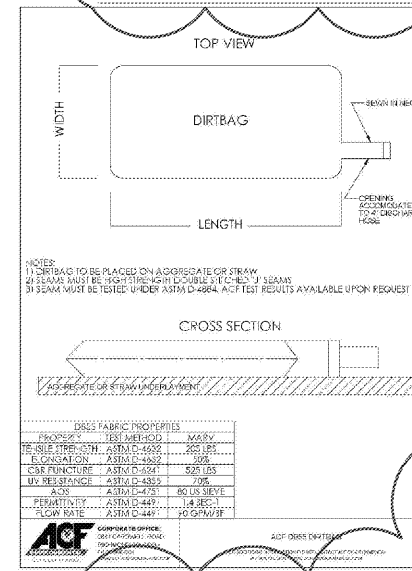
Note: Coarctate Bermudagrass is not recommended for soil production.
 * Only recommended in southeastern Virginia.

SOURCE: 1991 Virginia Turfgrass Variety Recommendations, Virginia Crop Improvement Association

TABLE 3.35-A ORGANIC MULCH MATERIALS AND APPLICATION RATES

MULCHES:	RATES:	NOTES:
Straw or Hay	1 1/2 - 2 tons (Minimum 2 tons for winter cover)	Free from weeds and coarse matter. Must be anchored. Spread with mulch blower or by hand.
Fiber Mulch	Minimum 1500 lbs.	Do not use as mulch for winter cover or during hot, dry periods. Apply as slurry.
Corn Stalks	4 - 6 tons	185 - 275 lbs.
Wood Chips or Shredded Bark	4 - 6 tons	185 - 275 lbs.
Bark Chips or Shredded Bark	50 - 70 cu. yds.	1-2 cu. yds.

* When fiber mulch is the only available mulch during periods when straw should be used, apply at a minimum rate of 2000 lbs./ac. or 45 lbs./1000 sq. ft.



W:\183204\DRAWINGS\PLAN NETWORK\183204.DWG PRINTED BY MGBORN 8/27/19 10:59 PM LAST SAVED BY MGBORN