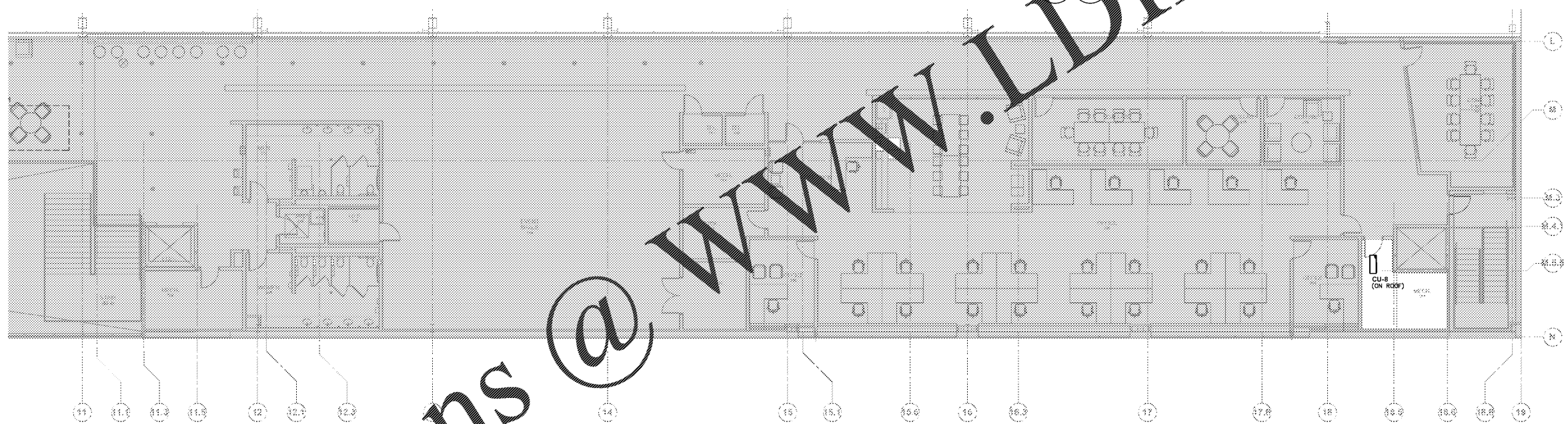


PARTIAL MEZZANINE LEVEL MECHANICAL POWER PLAN
 E-401A SCALE: 1/8" = 1'-0"



PARTIAL MEZZANINE LEVEL MECHANICAL POWER PLAN
 E-401A SCALE: 1/8" = 1'-0"

Order Plans @ www.LDLine.com

MECHANICAL EQUIPMENT-ELECTRICAL SCHEDULE (ALT)

EQUIPMENT TAG	BRANCH CIRCUIT	DISCONNECT SWITCH #		MOTOR STARTER #		NOTES
		FRAME	FUSE	POLES	NEMA SIZE	
AHU-9	H2-87.89.71	80	⓪	3	-	
CU-9	H2-73.75.79	30	⓪	3	-	⓪
P-2	ELVB-7	-	-	1	-	

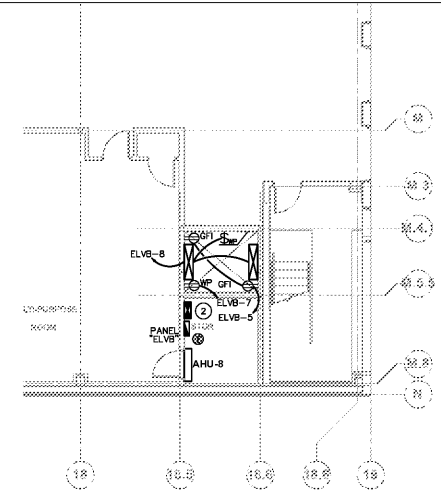
KEY NOTES:
 ⓪ PROVIDE NEMA 3R ENCLOSURE.
 ⓪ PROVIDE FUSES AS RECOMMENDED BY EQUIPMENT MANUFACTURER OR NAMEPLATE RATING.

KEY NOTES

- ① RECEPTACLE LOCATED ON MECHANICAL ROOFTOP EQUIPMENT, AVOID ACCESS PANELS AND LOUVERS.
- ② ELEVATOR DISCONNECT. SEE ELECTRICAL RISER ON SHEET E501.

GENERAL MECHANICAL POWER NOTE

REFER TO MECHANICAL EQUIPMENT-ELECTRICAL SCHEDULE, FOR POWER REQUIREMENTS TO ALL MECHANICAL EQUIPMENT / MOTORIZED DAMPERS INDICATED ON THIS SHEET.



PARTIAL FIRST LEVEL ELECTRICAL PLAN
 E-401A SCALE: 1/8" = 1'-0"



PROMUS
 SCOTT MERIWETHER, P.E.
 GEORGIA LICENSE #10780
 4245 LAND RD
 BALL GROUND, GA 30107
 PROJECT MANAGER: SCOTT MERIWETHER
 PHONE: 478.346.5163

LP Indoor Pavilion, LLC
 Managed by LakePoint Land, LLC

755 Highway 293
 Emerson, GA 30137



RENOVATIONS TO LAKEPOINT SPORTS PAVILION MEZZANINE
 755 Highway 293
 Emerson, GA 30137

PROJECT NUMBER
 19016.00



THIS DRAWING IS THE EXCLUSIVE PROPERTY OF THE ARCHITECTS AND MAY NOT BE REPRODUCED OR USED WITHOUT THEIR WRITTEN AUTHORIZATION AND PERMISSION.

COPYRIGHT ©2017 COLLINS COOPER CARUSI ARCHITECTS, INC.

100% CONSTRUCTION DOCUMENTS 11.15.19

©2019 FOR #19 01.15.20

NOTE: READ THE SPECIFICATIONS
 THIS SET OF DRAWINGS AND SPECIFICATIONS DEFINE PRODUCT, EQUIPMENT AND CONSTRUCTION REQUIREMENTS. INDIVIDUAL SHEETS ARE SEPARATED FROM THE SET AND DO NOT ADEQUATELY REFLECT ALL INFORMATION NEEDED TO SUITABLY COVER CERTAIN ITEMS. DO NOT SEPARATE THIS SET OF DRAWINGS INTO INDIVIDUAL SHEETS.

SHEET TITLE
 PROPOSED ALTERNATE MEZZANINE LEVEL ELECTRICAL PLANS

E-401A