



3371 Peachtree Rd NE, Suite 400
Atlanta, Georgia 30326
404.973.0801

PROMUS
SCOTT MERIWETHER, P.E.
GEORGIA LICENSE #10780
4245 LAND RD
BALL GROUND, GA 30107
PROJECT MANAGER: SCOTT MERIWETHER
PHONE: 478.346.5163

LP Indoor Pavilion, LLC
Managed by LakePoint Land, LLC

755 Highway 293
Emerson, GA 30137



RENOVATIONS TO
LAKEPOINT SPORTS
PAVILION
MEZZANINE
755 Highway 293
Emerson, GA 30137

PROJECT NUMBER
19016.00



THIS DRAWING IS THE EXCLUSIVE PROPERTY OF THE ARCHITECTS
AND MAY NOT BE REPRODUCED OR USED WITHOUT THEIR WRITTEN
AUTHORIZATION AND PERMISSION.

COPYRIGHT © 2017 COLLINS COOPER CARUSI ARCHITECTS, INC.

100% CONSTRUCTION DOCUMENTS 11.15.19

ISSUED FOR BIDDING 01.15.20

DATE: 01.15.20

DATE: 01.15.20

DATE: 01.15.20

DATE: 01.15.20

DATE: 01.15.20

DATE: 01.15.20

DATE: 01.15.20

DATE: 01.15.20

DATE: 01.15.20

DATE: 01.15.20

DATE: 01.15.20

DATE: 01.15.20

DATE: 01.15.20

DATE: 01.15.20

DATE: 01.15.20

DATE: 01.15.20

DATE: 01.15.20

DATE: 01.15.20

DATE: 01.15.20

DATE: 01.15.20

DATE: 01.15.20

DATE: 01.15.20

DATE: 01.15.20

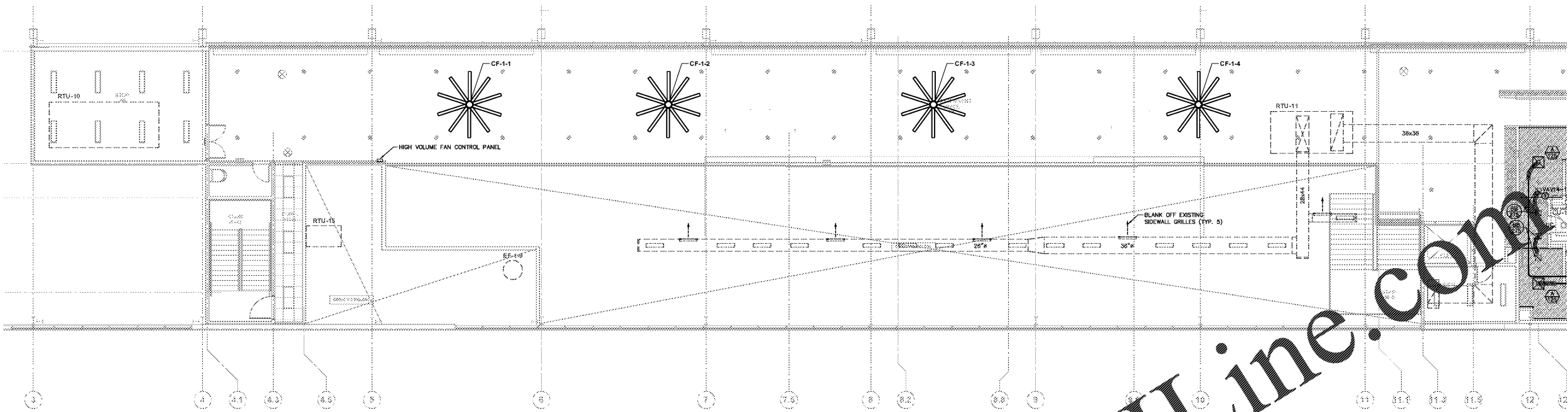
DATE: 01.15.20

DATE: 01.15.20

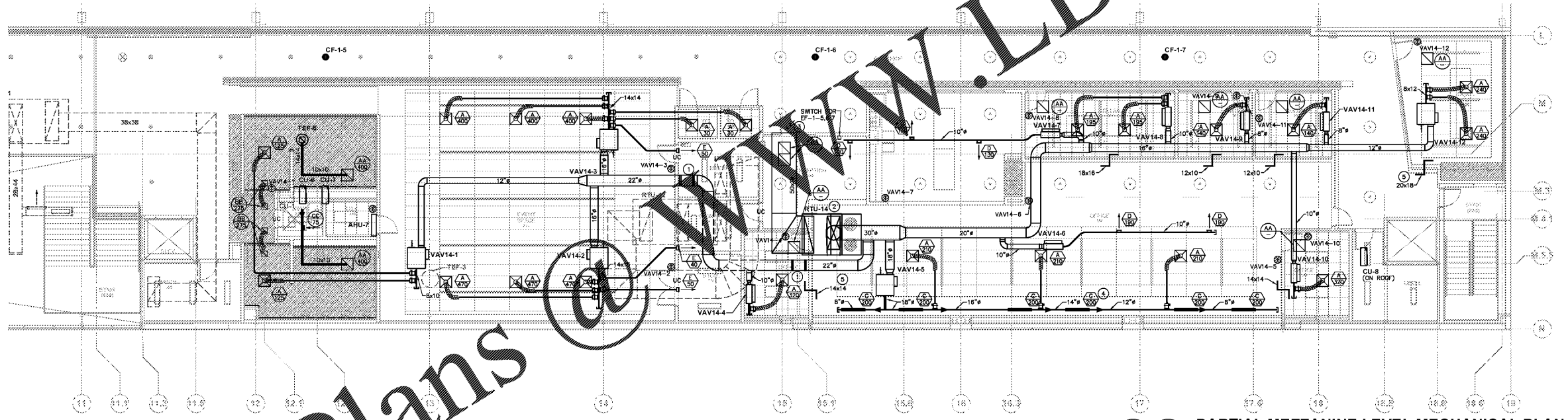
DATE: 01.15.20

DATE: 01.15.20

DATE: 01.15.20



PARTIAL MEZZANINE LEVEL MECHANICAL PLAN
M-201 SCALE: 1/8" = 1'-0"



PARTIAL MEZZANINE LEVEL MECHANICAL PLAN
M-201 SCALE: 1/8" = 1'-0"

Order Plans

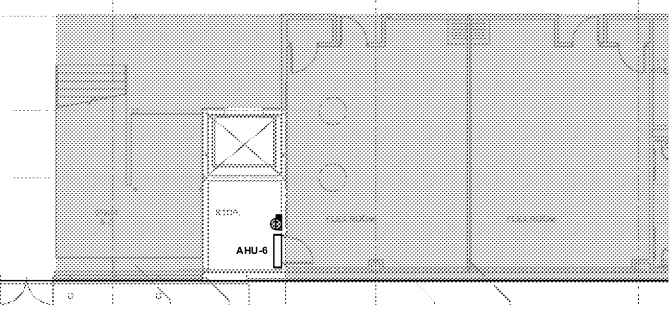
S/A	R/A	FLOW (CFM)
6"	8"	50-125
8"	10"	130-195
10"	12"	200-330
12"	12"	335-450
14"	14"	455-700
-	16"	705-1100
-	18x18	1105-1800
-	22x22	1605-2000

1. ROUND DUCT TO AIR DEVICE SHALL BE PER THIS TABLE UNLESS NOTED OTHERWISE.
2. RETURN AIR DUCT SHALL BE SIZED BASED ON TOTAL SUPPLY AIR IN SAME ROOM IF CFM NOT SHOWN AT RETURN AIR GRILLE.

- KEY NOTES**
- COORDINATE NEW DUCTWORK ROUTING WITH EXISTING DUCTWORK TO REMAIN. OFFSET NEW DUCTWORK AS HIGH AS POSSIBLE OVER ARCHITECTURAL CEILING.
 - PROVIDE NEW ROOF TOP UNIT OVER EXISTING CURB. PROVIDE CURB ADAPTER AS REQUIRED.
 - PROVIDE 1/2" METAL MESH OVER DUCT INLET.
 - MOUNT SLOT DIFFUSER ON BOTTOM SURFACE OF SPIRAL DUCT WITH TITUS BORDER 16 (TYP). DIRECT AIRFLOW TO WASH WINDOWS.
 - MOUNT TRANSFER ABOVE ALL ARCHITECTURAL CEILING ELEMENTS. PAINT TO MATCH SURROUNDING FINISH (TYP).

EXISTING CONTROLS

COORDINATE NEW CONTROLS TO MATCH EXISTING CONTROLS SYSTEM AND SEQUENCES. CONSULT BUILDING MANAGER PRIOR TO ORDERING.



PARTIAL FIRST LEVEL MECHANICAL PLAN
M-201 SCALE: 1/8" = 1'-0"

SHEET TITLE
PROPOSED MEZZANINE
LEVEL MECHANICAL PLANS

M-201