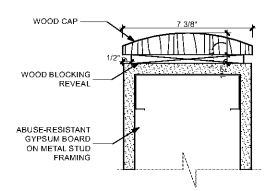
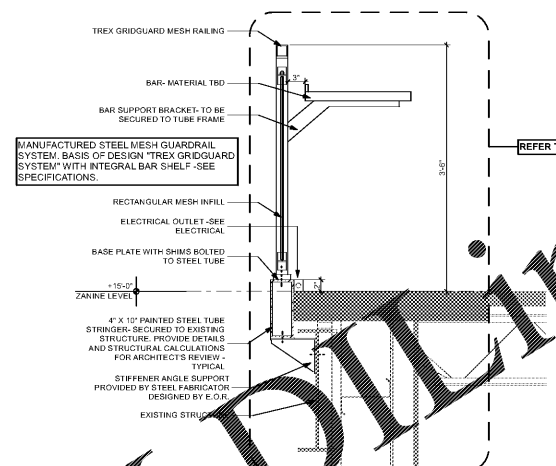


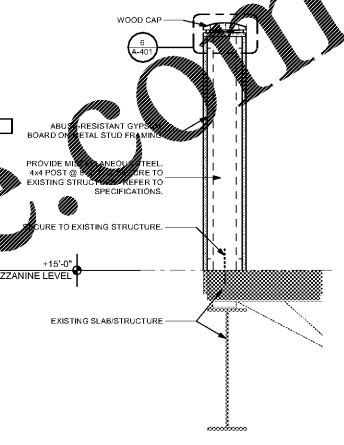
7 CONFERENCE ROOM ELEVATION
A-401 SCALE: 1/4" = 1'-0"



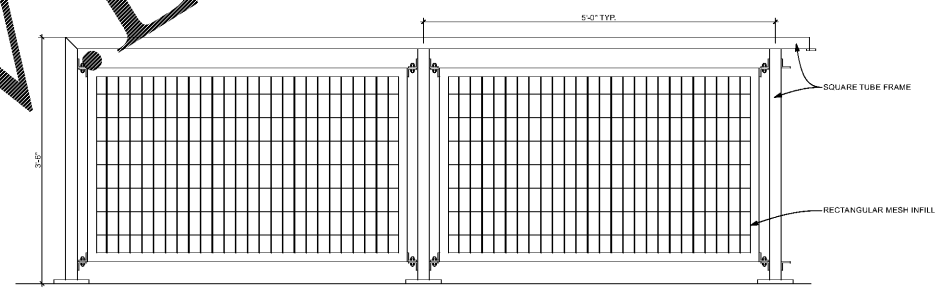
6 WOOD CAP DETAIL
A-401 SCALE: 3" = 1'-0"



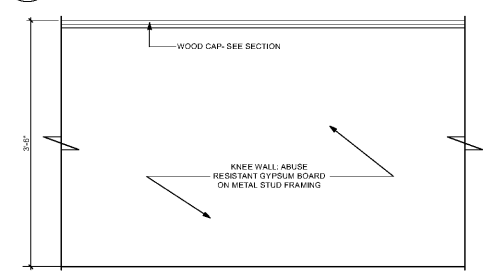
5 GUARDRAIL SECTION, TYP.
A-401 SCALE: 1" = 1'-0"



4 KNEE WALL SECTION, TYP.
A-401 SCALE: 1" = 1'-0"

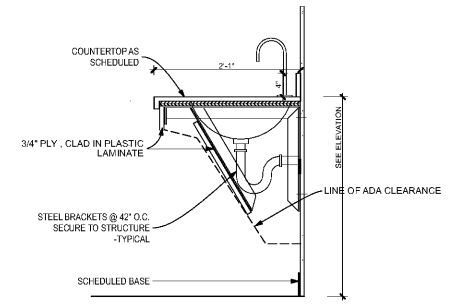


3 GUARDRAIL ELEVATION, TYP.
A-401 SCALE: 1" = 1'-0"

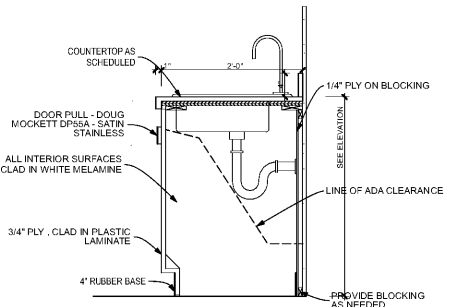


2 KNEE WALL ELEVATION, TYP.
A-401 SCALE: 1" = 1'-0"

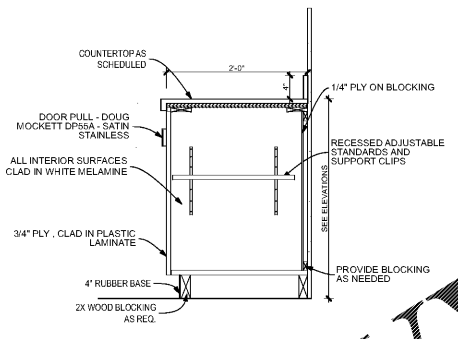
NOTES:
1. ALL GLASS TO BE TEMPERED, UNLESS NOTED OTHERWISE
2. CONTRACTOR TO FIELD VERIFY DIMENSIONS PER EXISTING BUILDING/STRUCTURE



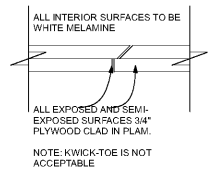
14 BATHROOM COUNTER DETAIL
A-401 SCALE: 1" = 1'-0"



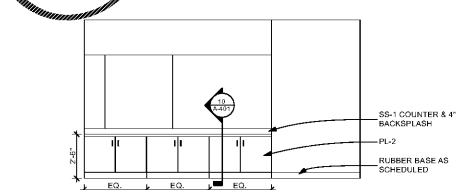
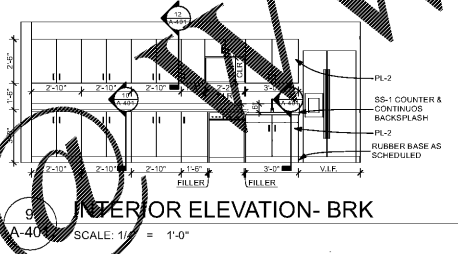
11 ADA SINK CABINET
A-401 SCALE: 1" = 1'-0"



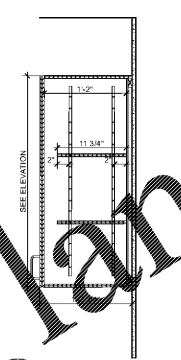
10 BASE CABINET
A-401 SCALE: 1" = 1'-0"



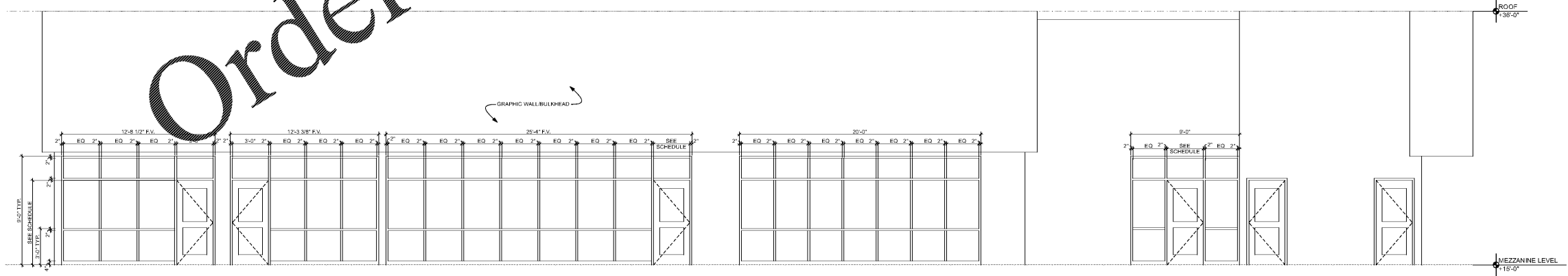
13 ADA CABINET DETAIL
A-401 SCALE: 3" = 1'-0"



8 INTERIOR ELEVATION- CONF.
A-401 SCALE: 1/4" = 1'-0"



12 UPPER CABINET
A-401 SCALE: 1" = 1'-0"



1 MAIN LEVEL FLOOR PLAN
A-401 SCALE: 1/4" = 1'-0"

Order Plans

WWW.ONLINE.COM