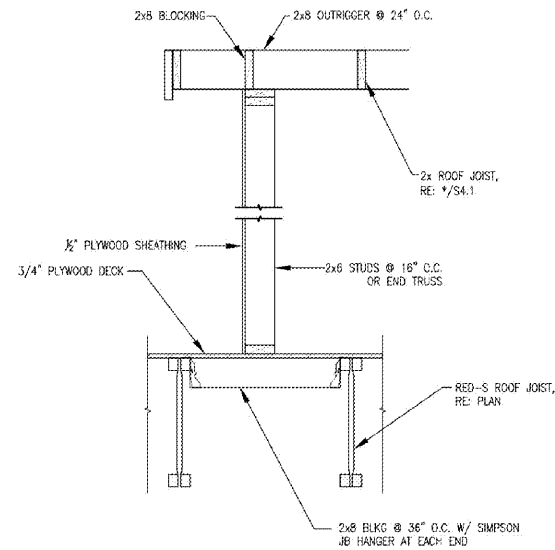


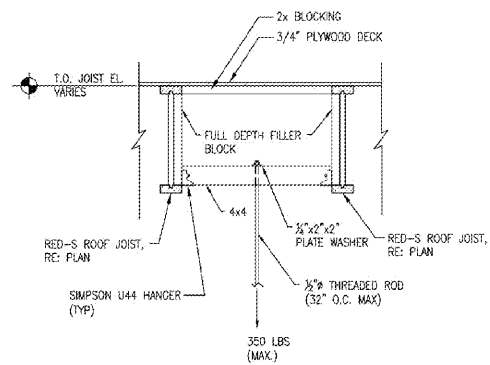
NOT USED
1 1/2"=1'-0"

1



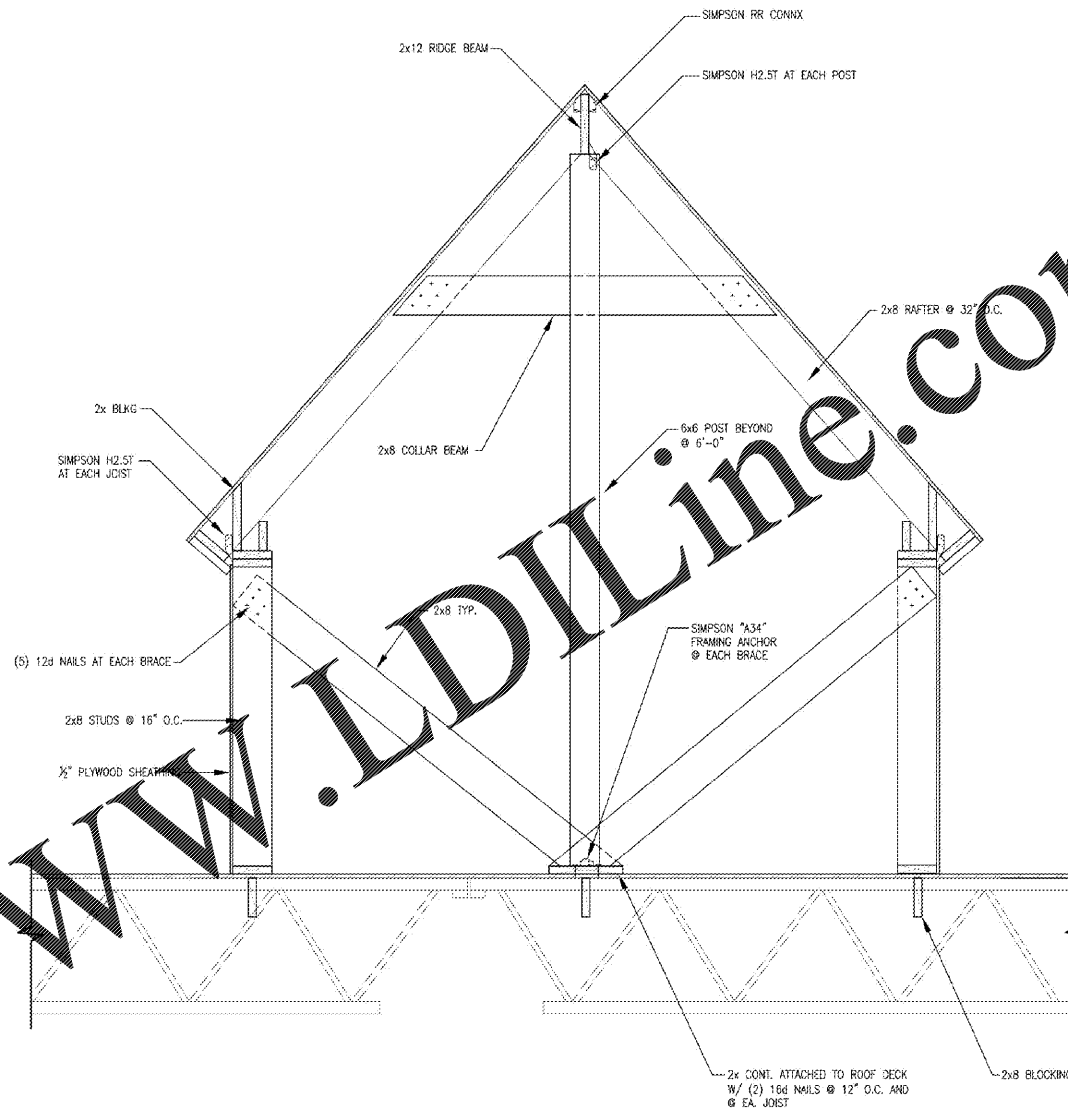
NOT USED
3/4"=1'-0"

2



TYPICAL HANGER ROD DETAIL
3/4"=1'-0"

4



NOT USED
3/4"=1'-0"

3

Order Plans @ www.LDILine.com

NOT USED
3/4"=1'-0"

6

NOT USED
3/4"=1'-0"

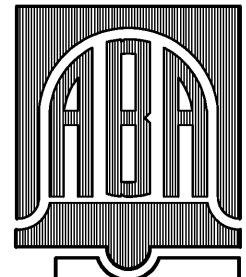
7

NOT USED
3/4"=1'-0"

8

NOT USED
3/4"=1'-0"

9



BELL & ASSOCIATES ARCHITECTS
ALAN BELL, DOUG ELKINS
MARK SMITH, & TROY BELL
alanbellarchitect.com
128 JOYBORN ROAD
CUMMINGTON, GEORGIA 30629
PHONE (770) 588-8888 FAX (770) 588-8888

REVISIONS	BY

NEW RESTAURANT FOR:

VILLA RICA, GEORGIA

CONTRACTOR SHALL VERIFY ALL CONDITIONS AND DIMENSIONS BEFORE EXECUTING ANY WORK. THIS DOCUMENT IS THE SOLE PROPERTY OF ALAN BELL ARCHITECT AND SHALL NOT BE COPIED IN WHOLE OR IN PART WITHOUT EXPRESSED WRITTEN CONSENT FROM ALAN BELL ARCHITECT.



DATE: 1/28/2020

SCALE: AS NOTED

JOB NO.: 19-015-D01

SHEET

S4.1

OF 1 SHEETS