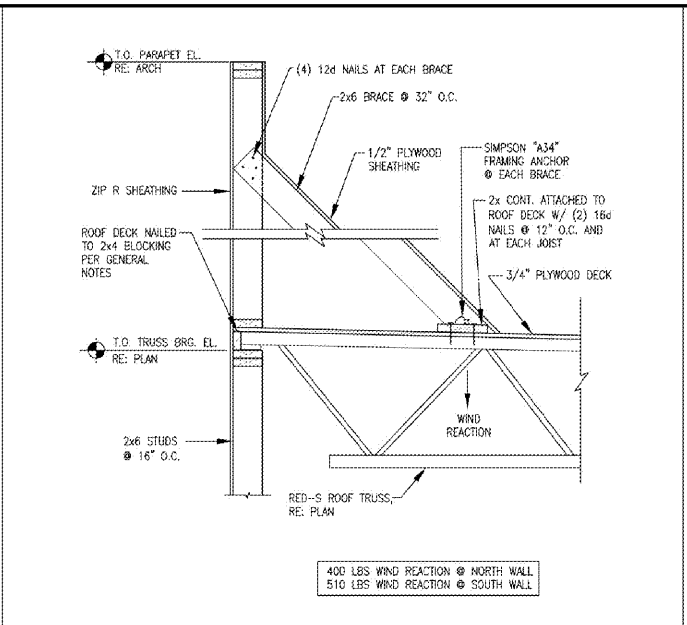
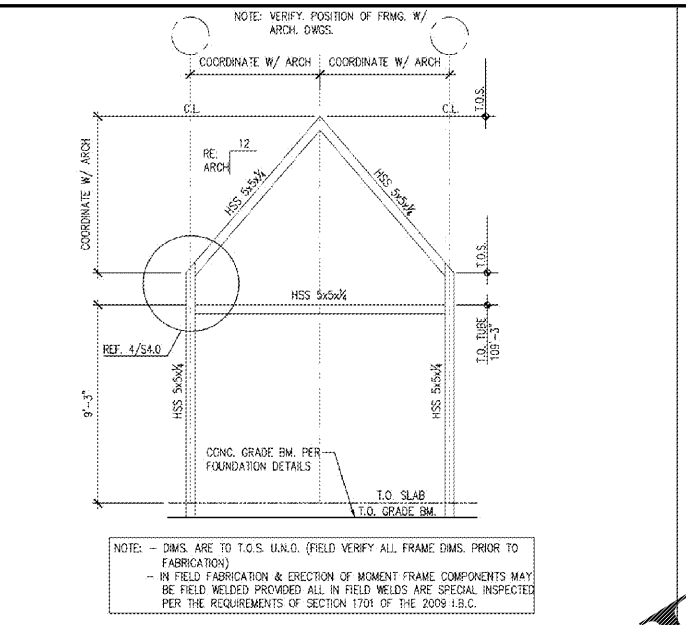


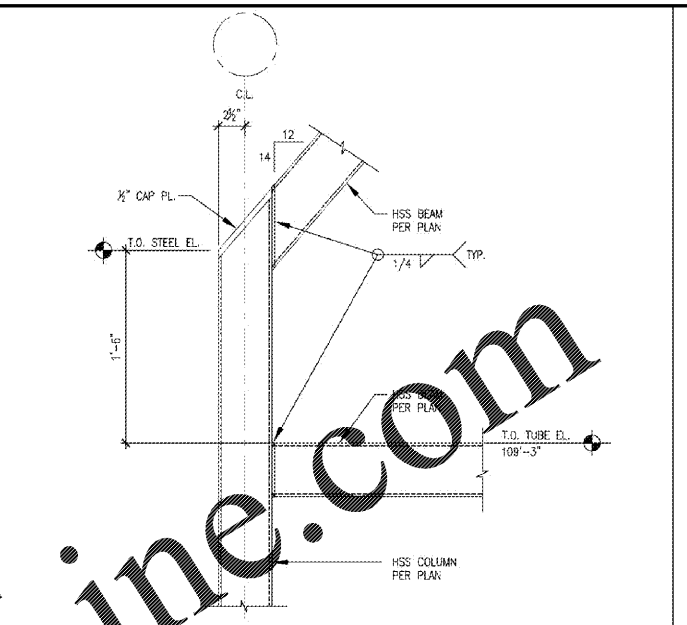
NOT USED
3/4"=1'-0" 1



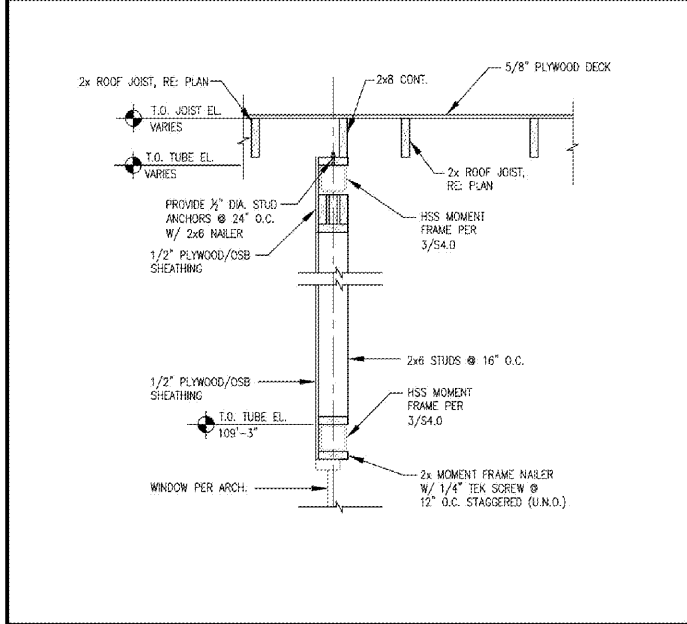
NOT USED
3/4"=1'-0" 2



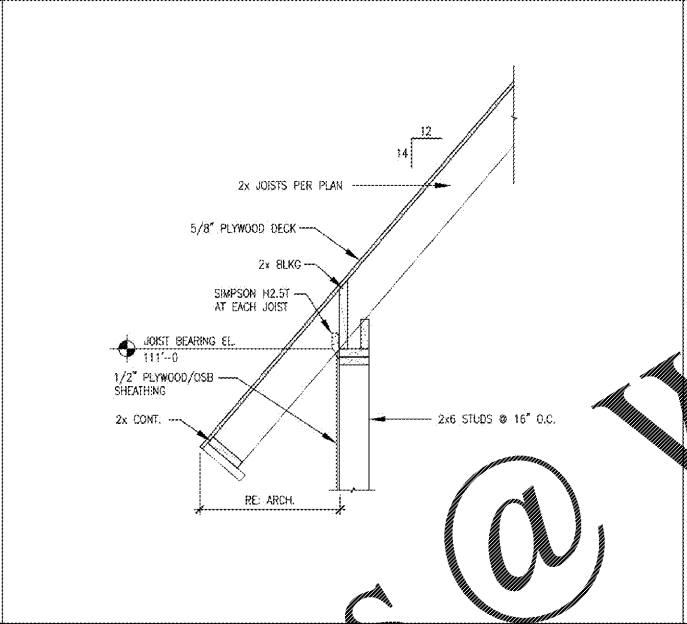
STEEL MOMENT FRAME ELEVATION
1/4"=1'-0" 3



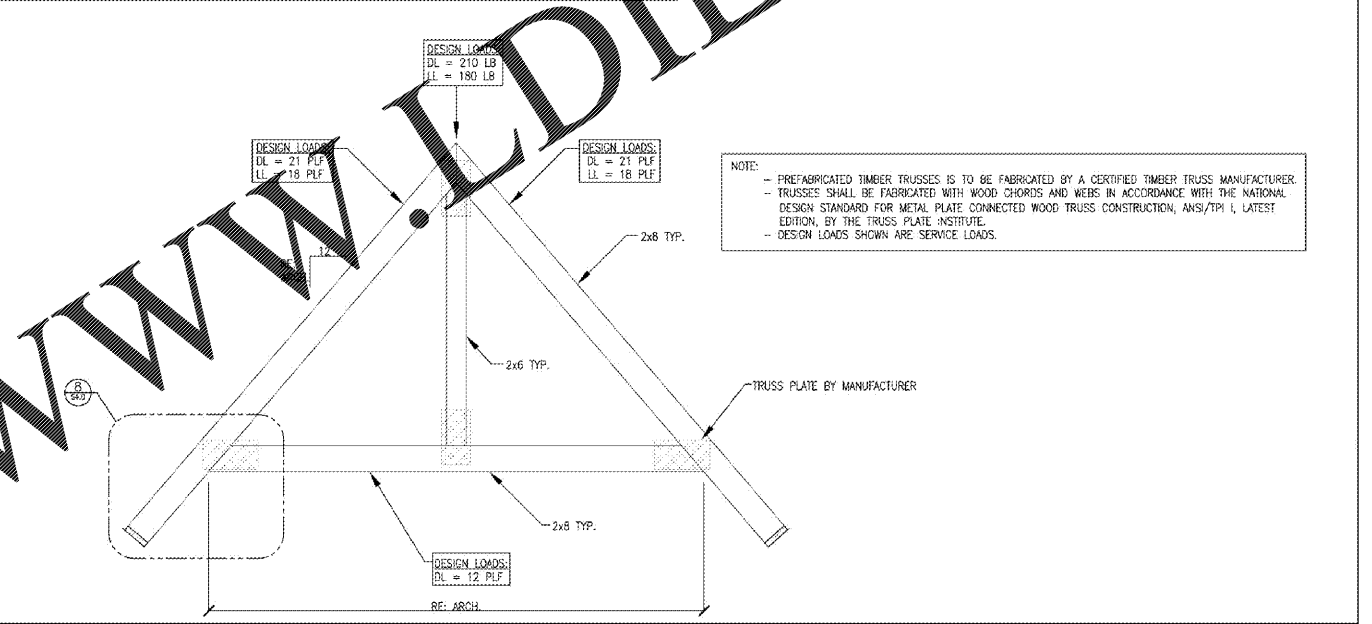
TYPICAL HSS TUBE MOMENT CONNX DETAIL
3/4"=1'-0" 4



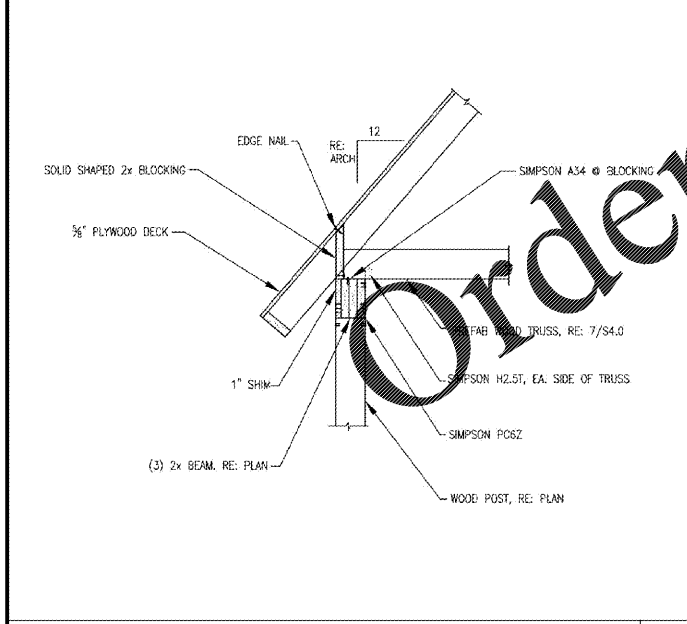
ENTRY VESIBULE TOWER FRONT WALL DETAIL
3/4"=1'-0" 5



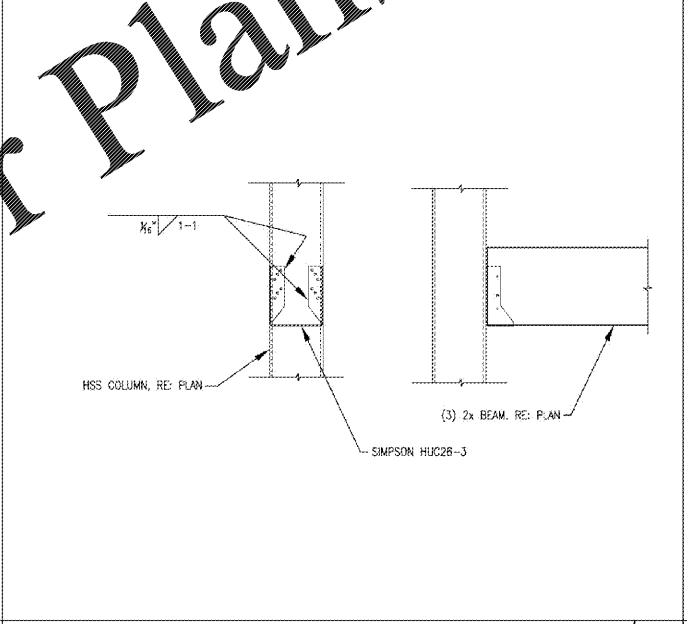
ENTRY VESIBULE TOWER SIDE WALL DETAIL
3/4"=1'-0" 6



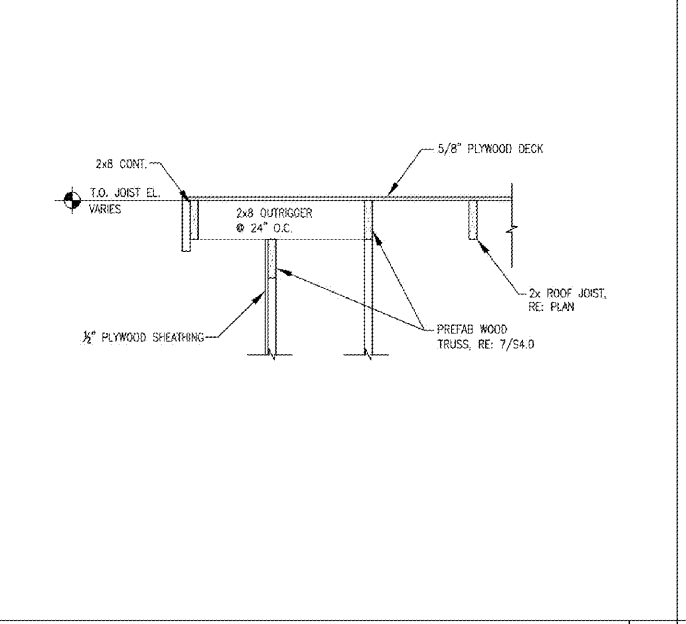
PREFAB ENTRANCE TRUSS DETAIL
1/2"=1'-0" 7



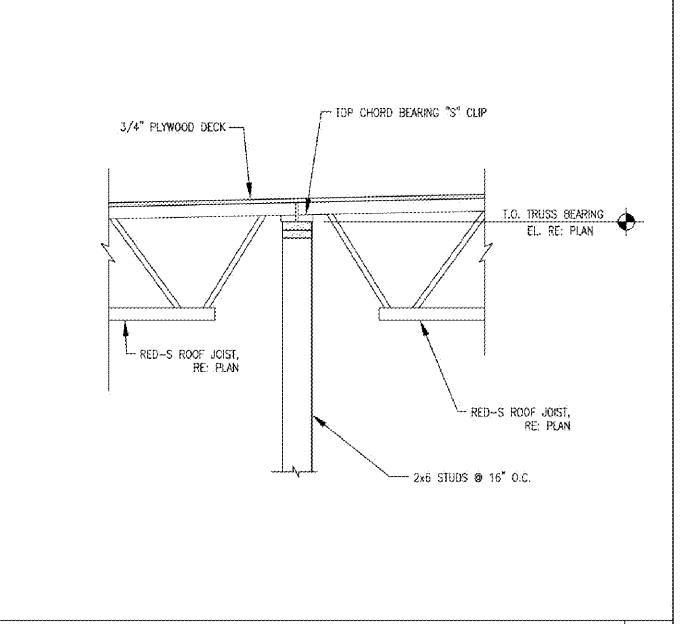
ENTRY VESIBULE TOWER SIDE WALL DETAIL
3/4"=1'-0" 8



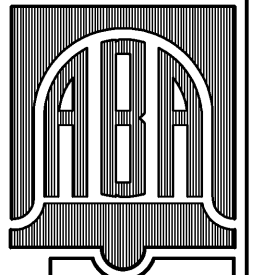
WOOD BEAM TO STEEL COLUMN HANGER CONNX DETAIL
3/4"=1'-0" 9



SECTION AT ROOF GABLE STRUCTURE
3/4"=1'-0" 10



SECTION
3/4"=1'-0" 11



BELL & ASSOCIATES ARCHITECTS
ALAN BELL, DOUG EIKINS
MARK SMITH, & TROY BELL
alanbellarchitect.com
128 LAYBURN ROAD
CAROLTON, GEORGIA 30117
PHONE (770) 650-8856 FAX (770) 650-5066

REVISIONS BY	

NEW RESTAURANT FOR:
 VILLA RICA, GEORGIA

CONTRACTOR SHALL VERIFY ALL CONDITIONS AND DIMENSIONS BEFORE EXECUTING ANY WORK. THIS DOCUMENT IS THE SOLE PROPERTY OF ALAN BELL ARCHITECT AND SHALL NOT BE COPIED IN WHOLE OR IN PART WITHOUT EXPRESSED WRITTEN CONSENT FROM ALAN BELL ARCHITECT.



DATE: 1/28/2020
SCALE: AS NOTED
JOB NO.: 19-015-D01
SHEET
S4.0
OF 7 SHEETS