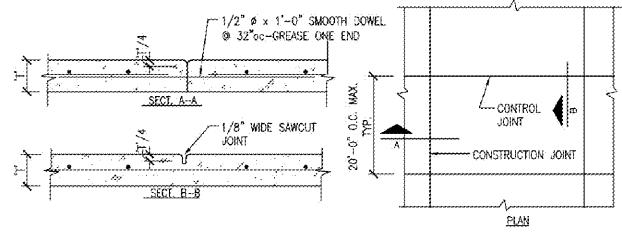
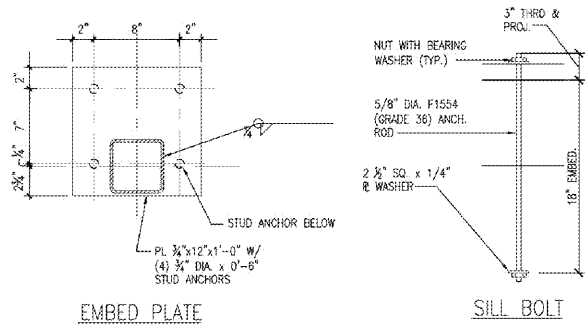


NOTE:  
CONTRACTOR SHALL LOCATE  
JOINTS ALONG COLUMN LINES  
WHENEVER POSSIBLE.



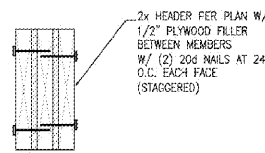
CONSTRUCTION & CONTROL JOINT DETAILS  
3/4" = 1'-0"

1



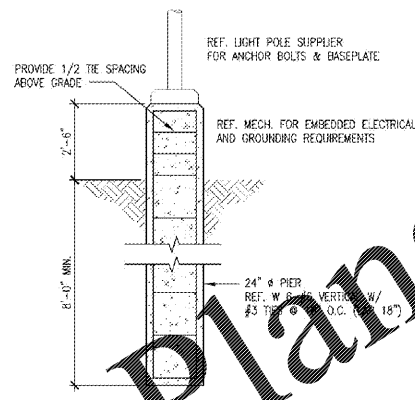
TYPICAL BASE PLATE & SILL ANCHOR BOLT  
1/2" = 1'-0"

2



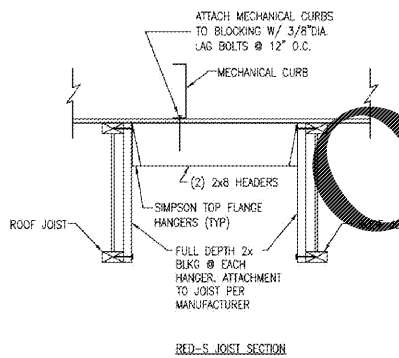
TYPICAL HEADER DETAIL  
1/2" = 1'-0"

3



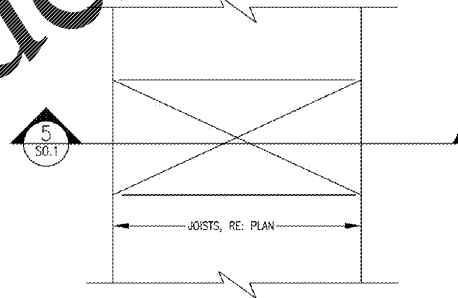
LIGHT POLE BASE DETAIL  
1/2" = 1'-0"

4



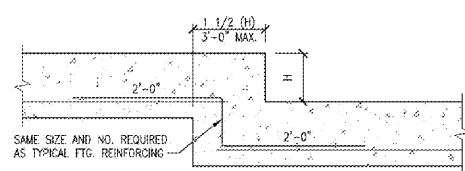
SQUARE OR RECT. FRAME DETAIL  
3/4" = 1'-0"

5



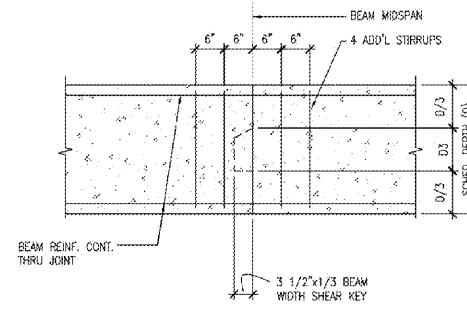
SQUARE OR RECT. FRAME PLAN  
1" = 1'-0"

6



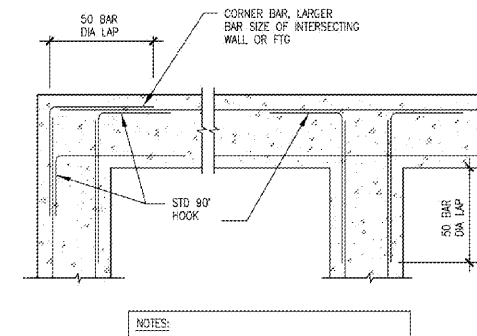
TYPICAL FOOTING STEP DETAIL  
3/4" = 1'-0"

8



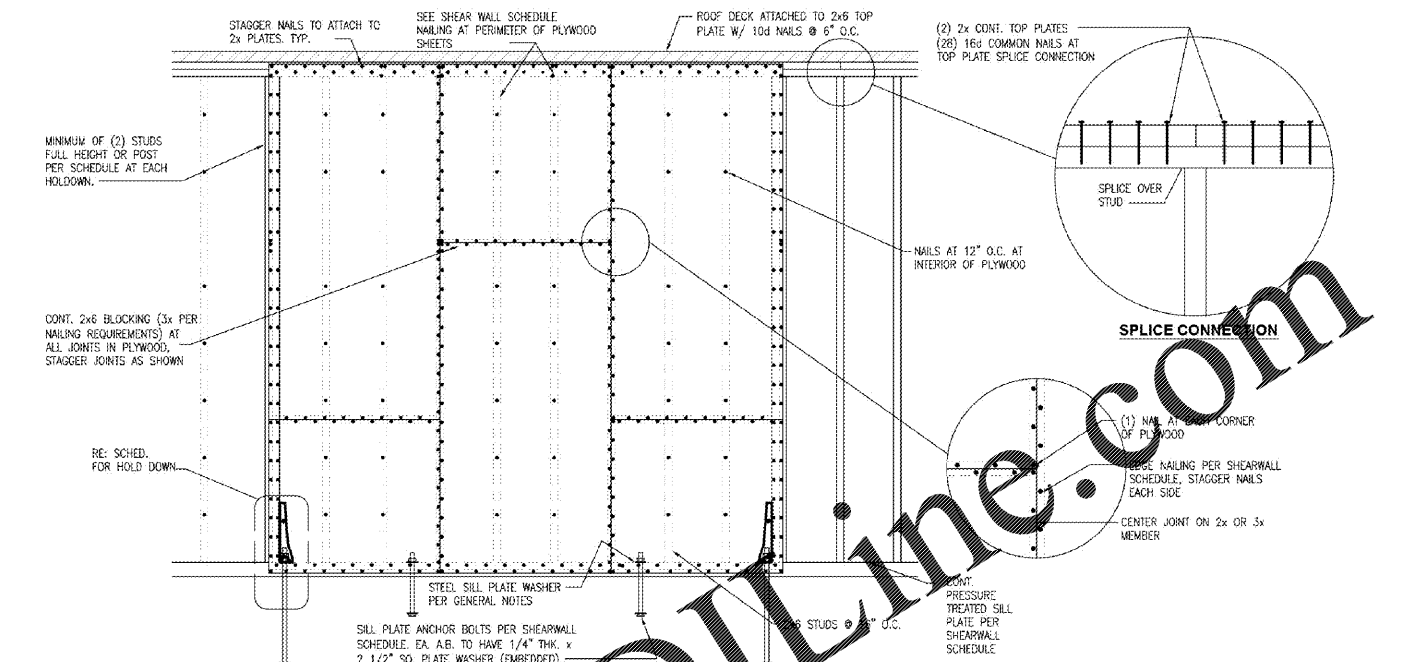
TYPICAL GRADE BEAM CONST. JOINT DETAIL  
3/4" = 1'-0"

9



TYPICAL GRADE BEAM CORNER BAR DETAIL  
3/4" = 1'-0"

10



SHEARWALL WALL ATTACHMENT  
1" = 1'-0"

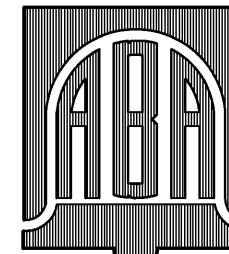
7

MARK	PANEL GRADE	MIN. NOMINAL PANEL THICKNESS (IN.)	MIN. NAIL PENETRATION IN FRAMING (IN.)	NAIL SIZE	NAIL SPACING (IN.)		SILL PLATE ANCHOR BOLTS	END POSTS	HOLDDOWNS AT THE ENDS			SHEAR WALL CAPACITY (PLF)
					PANEL EDGES	INTERIORS			TYPE	ANCHOR BOLT	ANCHOR BOLT EMBEDMENT (IN.)	
SW1	APA RATED STRUCTURAL SHEATHING	15/32	1 1/8	10d	6	12	2x SILL 5/8" DIA x 1'-0" THREADED RODS @ 36" O.C.	6x6	SIMPSON HDUS-SDS2.5 OR EQUIVALENT	7/8" DIA. THREADED ROD WITH NUT/ WASHER	10	435
SW2	APA RATED STRUCTURAL SHEATHING	15/32	1 5/8	10d	4	12	2x SILL 5/8" DIA x 1'-0" THREADED RODS @ 36" O.C.	6x6	SIMPSON HDUS-SDS2.5 OR EQUIVALENT	7/8" DIA. THREADED ROD WITH NUT/ WASHER	10	645

- NOTES:
- REFER TO TYPICAL SHEARWALL ELEVATION ABOVE.
  - ALL PANEL EDGES SHALL BE BACKED WITH 1/2" INCH NOMINAL OR WIDER FRAMING.
  - PANELS INSTALLED ON 2x6 STUDS SPACED 16 INCHES ON CENTER.
  - MINIMUM SPACING SHALL BE LESS THAN 6 INCHES ON CENTER ON EITHER SIDE, PANEL JOINTS SHALL BE OFFSET TO FACE. DIFFERENT FRAMING MEMBERS OR FRAMING SHALL BE 3 INCHES NOMINAL OR THICKER AND NAILS ON EACH SIDE SHALL BE STAGGERED.
  - FRAMING AT ADJOINING PANEL EDGES SHALL BE 3 INCH NOMINAL OR WIDER AND NAILS SHALL BE STAGGERED WHERE 10d NAILS HAVING PENETRATION INTO FRAMING OF MORE THAN 1-5/8 INCHES ARE SPACED 3 INCHES OR LESS.
  - WHERE SILL PLATE ANCHOR BOLTS ARE MISSING OR MISLOCATED, USE SIMPSON "SET" EPOXY (ICBO EP-5279) OR EQUIVALENT WITH 5 INCHES MIN. EMBEDMENT WITH THREADED ROD OF THE SAME SIZE AND SPACING AS INDICATED.
  - IN ADDITION TO THE ON CENTER SPACING OF ANCHOR BOLTS, THERE SHALL BE AT LEAST (2) ANCHOR BOLTS PER PIECE OF SILL PLATE WITH A MINIMUM OF (1) ANCHOR BOLT LOCATED NOT GREATER THAN 9 INCHES, AND LESS THAN 4-1/2 INCHES OF EACH PIECE END.
  - MINIMUM CONCRETE SIDE EDGE DISTANCE FOR BOTH SILL PLATE AND HOLDDOWN ANCHOR BOLTS IS 2 INCHES AND MINIMUM CONCRETE END EDGE DISTANCE FOR HOLDDOWN ANCHOR BOLTS IS 12 INCHES.
  - HOLDDOWNS SHALL BE INSTALLED PER MANUFACTURER INSTALLATION REQUIREMENTS.
  - HOLES ARE NOT ALLOWED IN SHEARWALLS, UNLESS APPROVED BY THE STRUCTURAL ENGINEER PRIOR TO CONSTRUCTION. IF A HOLE IS APPROVED, IT IS TO BE ENTIRELY WITHIN ONE SHEET. PROVIDE BLOCKING AND EDGE NAILING AROUND OPENING.
  - MIN. WIDTH OF SHEATHING SHALL BE 2 FT.
  - NAILS SHALL BE COMMON NAILS.

MARK	WIDTH	LENGTH	DEPTH	E-W BTM. REINFORCEMENT		N-S BTM. REINFORCEMENT	
				#5@12"	#5@12"	(4)-#5	(4)-#5
F1	3'-0"	15'-4 3/4"	1'-0"	#5@12"	#5@12"	(4)-#5	(4)-#5

- NOTES:
- N-S-E-W DIRECTIONS IN THE SCHEDULE ARE ACCORDING TO PLAN NORTH.



**BELL & ASSOCIATES ARCHITECTS**  
ALAN BELL, DOUG ELKINS  
MARK SMITH, & TROY BELL  
alanbell@architect.com  
128 LLOYD ROAD  
CARROLLTON, GEORGIA 30117  
PHONE (770) 650.6566 FAX (770) 650.6568

REVISIONS BY	

NEW RESTAURANT FOR:  
  
VILLA RICA, GEORGIA

CONTRACTOR SHALL VERIFY ALL CONDITIONS AND DIMENSIONS BEFORE EXECUTING ANY WORK. THIS DOCUMENT IS THE SOLE PROPERTY OF ALAN BELL ARCHITECT AND SHALL NOT BE COPIED IN WHOLE OR IN PART WITHOUT EXPRESSED WRITTEN CONSENT FROM ALAN BELL ARCHITECT.



DATE: 1/28/2020  
SCALE: AS NOTED  
JOB NO.: 19-015-D01  
SHEET  
SO.1  
OF 1 SHEETS