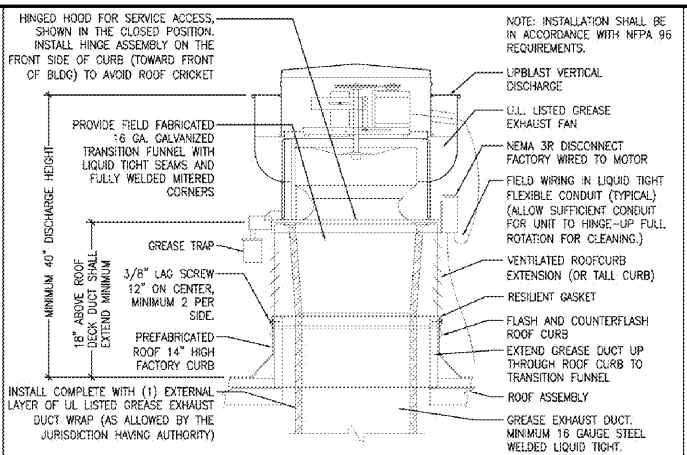
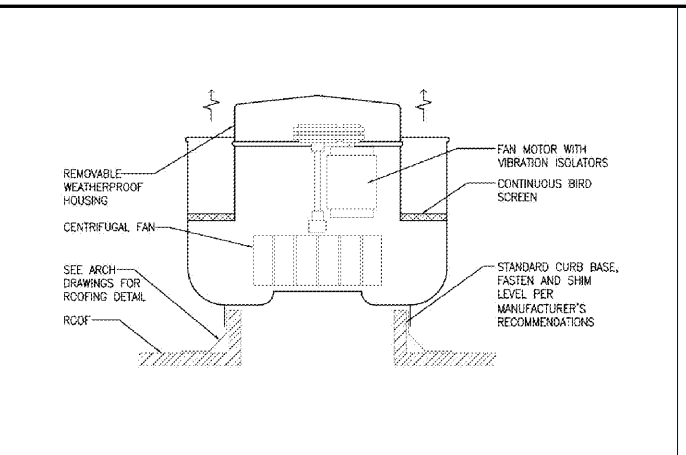


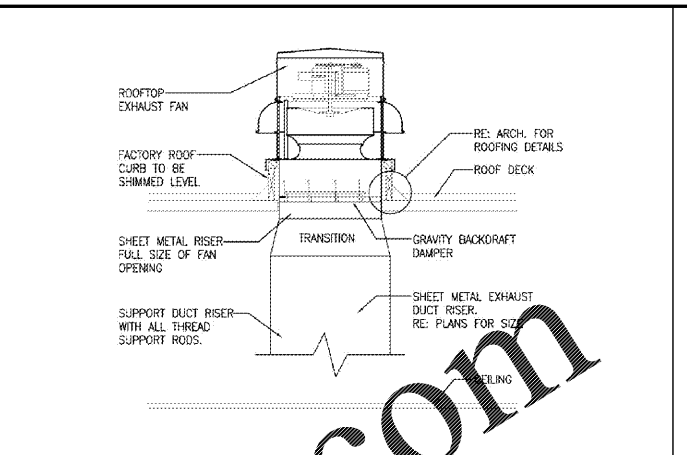
ROOFTOP UNIT DETAIL  
SCALE: NONE



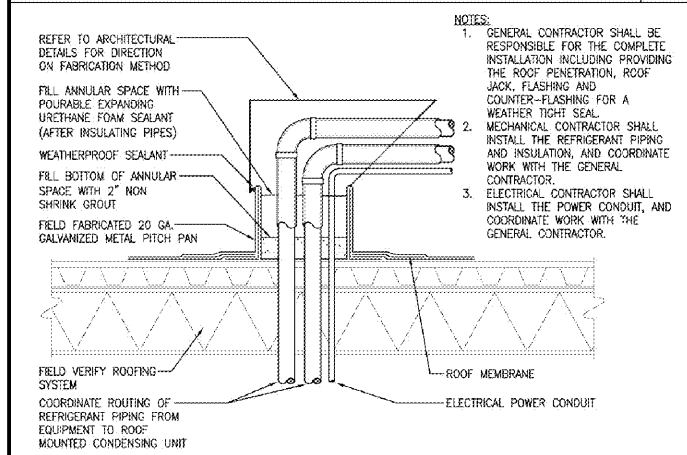
KITCHEN UPBLAST GREASE EXHAUST FAN DETAIL  
SCALE: NONE



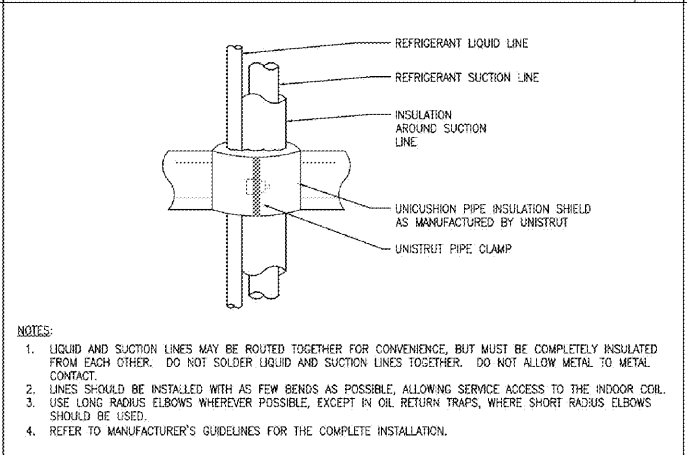
DISHMACHINE UPBLAST EXHAUST FAN DETAIL  
SCALE: NONE



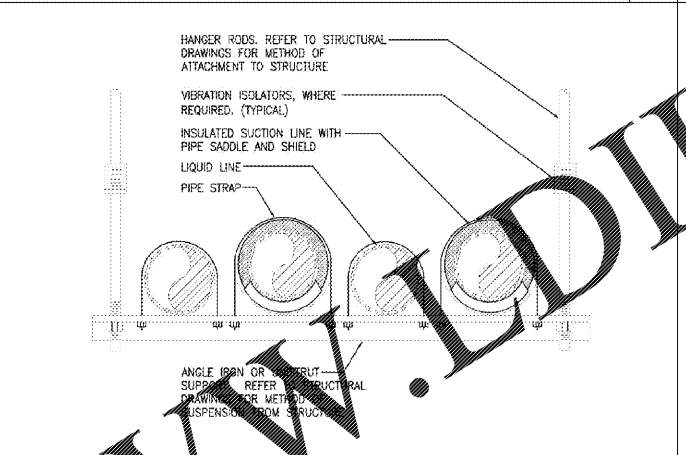
RESTROOM DOWNBLAST EXHAUST FAN DETAIL  
SCALE: NONE



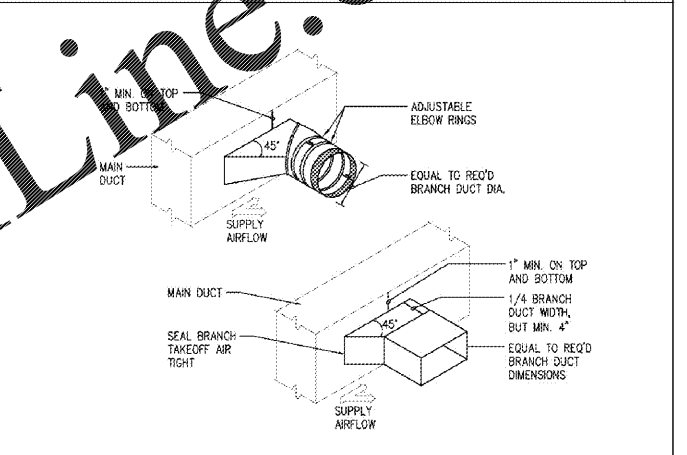
PIPING AND CONDUIT ROOF PENETRATION DETAIL  
SCALE: NONE



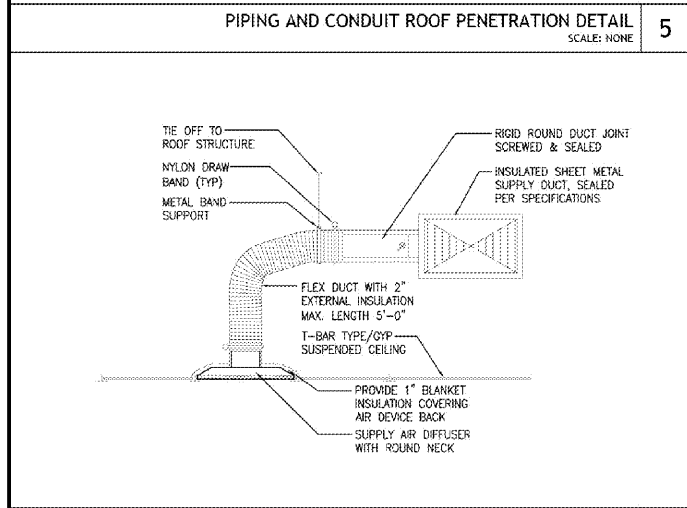
VERTICAL REFRIGERANT PIPE SUPPORT DETAIL  
SCALE: NONE



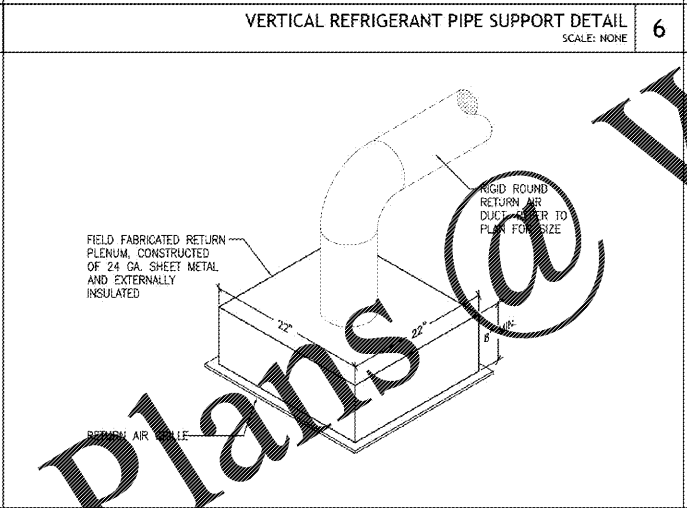
HORIZONTAL REFRIGERANT PIPE SUPPORT DETAIL  
SCALE: NONE



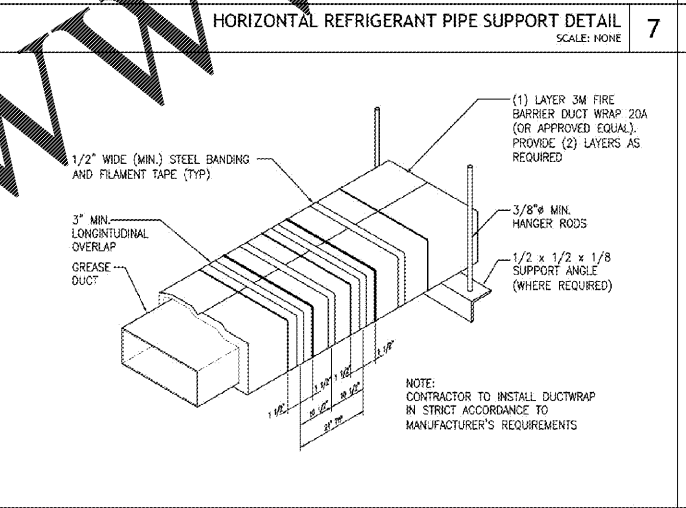
BRANCH TAKE-OFF FITTING DETAIL  
SCALE: NONE



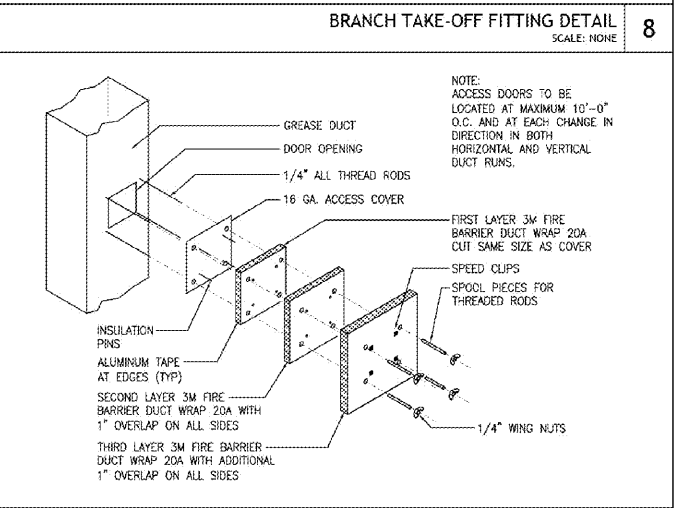
CEILING MOUNTED SUPPLY AIR DIFFUSER DETAIL  
SCALE: NONE



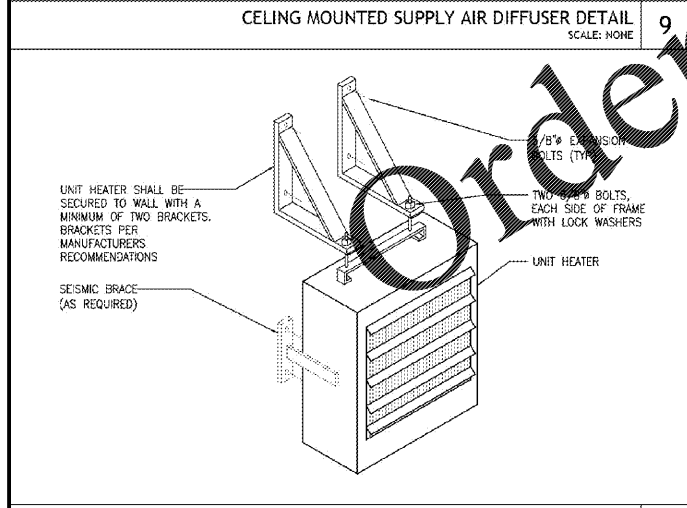
CEILING MNTD. RETURN AIR GRILLE DETAIL  
SCALE: NONE



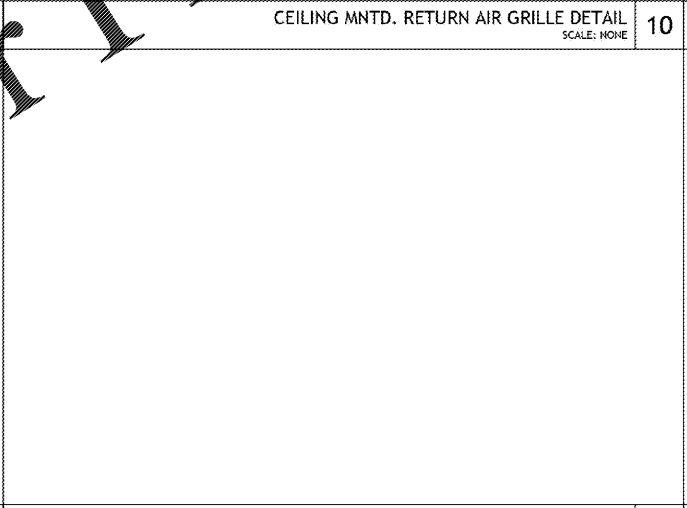
UL LISTED GREASE EXHAUST DUCT WRAP DETAIL  
SCALE: NONE



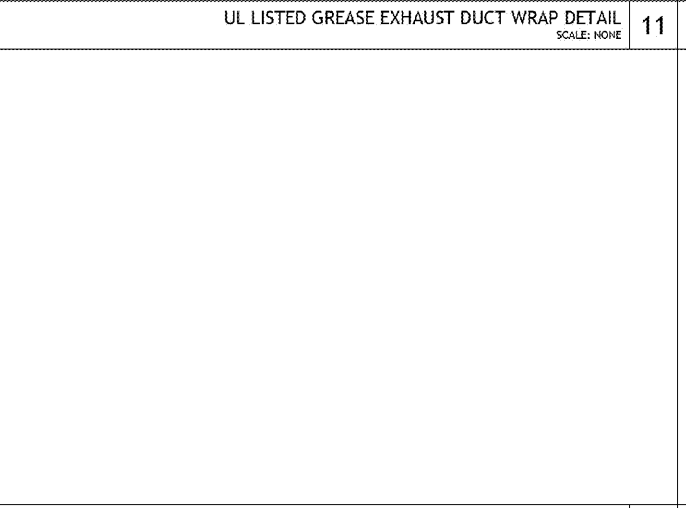
UL LISTED GREASE EXHAUST DUCT ACCESS DOOR DETAIL  
SCALE: NONE



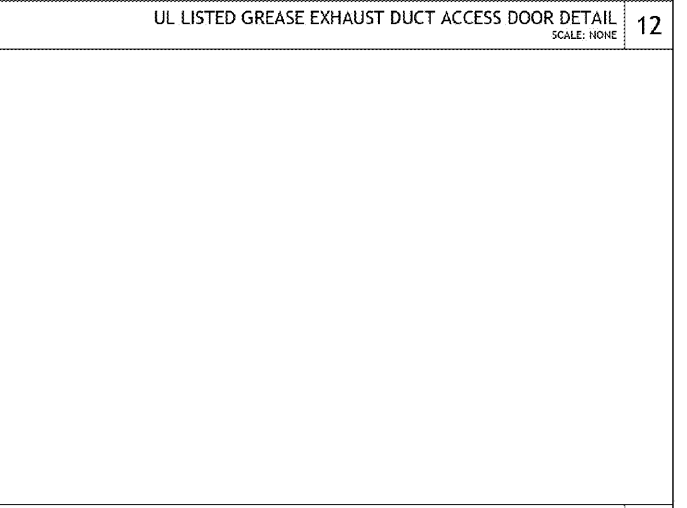
UNIT HEATER DETAIL  
SCALE: NONE



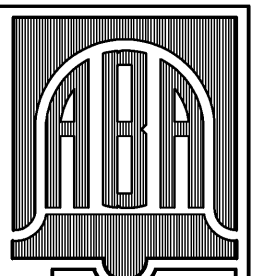
NOT USED  
SCALE: NONE



NOT USED  
SCALE: NONE



NOT USED  
SCALE: NONE



BELL & ASSOCIATES ARCHITECTS  
ALAN BELL, DOUG EAKINS, MARK SMITH, & TROY BELL  
alanbellarchitect.com  
138 JOYCE ROAD  
CAROLTON, GEORGIA 30117  
PHONE (770) 850-8868 FAX (770) 850-5068

REVISIONS BY	

NEW RESTAURANT FOR:  
VILLA RICA, GEORGIA

CONTRACTOR SHALL VERIFY ALL CONDITIONS AND DIMENSIONS BEFORE EXECUTING ANY WORK. THIS DOCUMENT IS THE SOLE PROPERTY OF ALAN BELL ARCHITECT AND SHALL NOT BE COPIED IN WHOLE OR IN PART WITHOUT EXPRESSED WRITTEN CONSENT FROM ALAN BELL ARCHITECT.



DATE: 1/28/2020  
SCALE: AS NOTED  
JOB NO.: 19-015-D01  
SHEET  
M3.1  
OF 3 SHEETS