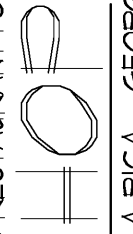


BELL & ASSOCIATES ARCHITECTS
 ALAN BELL, DOUG BELKINS
 MARK SMITH, & TROY BELL
 alanbellarchitect.com
 128 LOWYER ROAD
 CARROLLTON, GEORGIA 30117
 PHONE (770) 850-8866 FAX (770) 850-6066

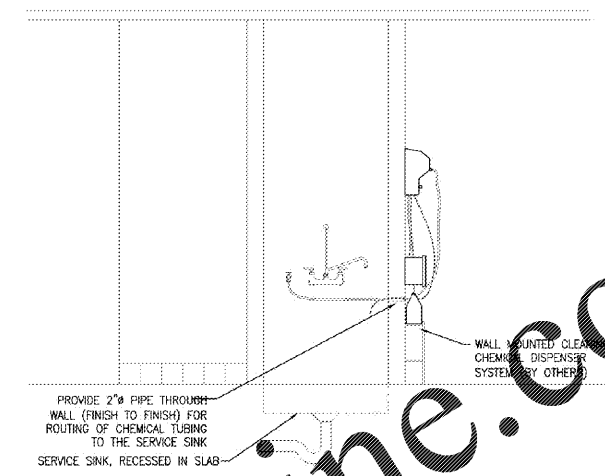
REVISIONS	BY

NEW RESTAURANT FOR:

 VILLA RICA, GEORGIA

CONTRACTOR SHALL VERIFY ALL CONDITIONS AND DIMENSIONS BEFORE EXECUTING ANY WORK. THIS DOCUMENT IS THE SOLE PROPERTY OF ALAN BELL ARCHITECT AND SHALL NOT BE COPIED IN WHOLE OR IN PART WITHOUT EXPRESSED WRITTEN CONSENT FROM ALAN BELL ARCHITECT.



DATE: 1/28/2010
 SCALE: AS NOTED
 JOB NO.: 13-015-D01
 SHEET
 P42
 OF 7 SHEETS

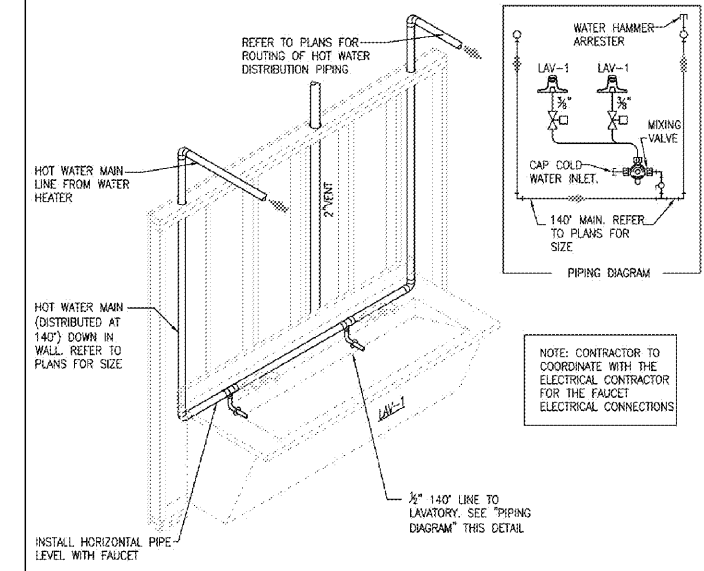


BAG N BOX AND SERVICE SINK PIPING DETAIL
 SCALE: NONE 2

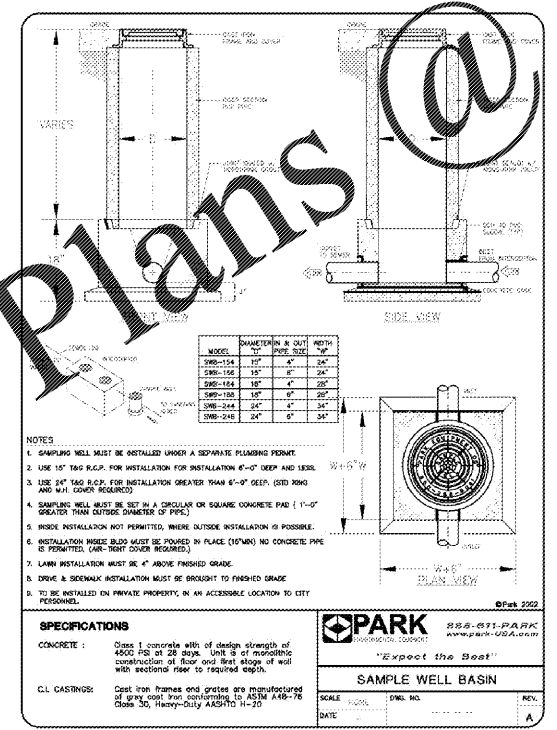
NOT USED
 SCALE: NONE 1

NOT USED
 SCALE: NONE 3

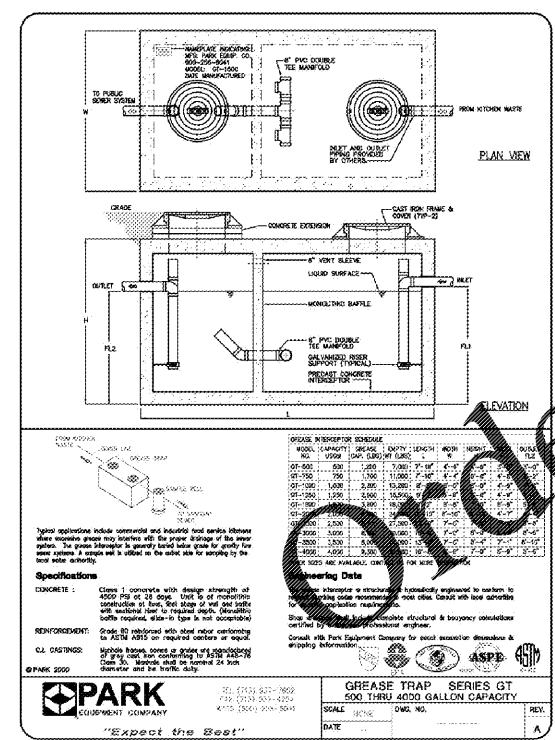
NOT USED
 SCALE: NONE 4



WATER LOOP TO RESTROOM LAVATORY BANK
 SCALE: NONE 8



SAMPLE WELL BASIN DETAIL (WHERE REQUIRED BY THE JURISDICTION)
 SCALE: NONE 6



GREASE INTERCEPTOR DETAIL
 SCALE: NONE 5

NOT USED
 SCALE: NONE 7

www.LDILine.com

Order Plans @

PARK EQUIPMENT COMPANY
 "Expect the Best!"
 201 (770) 827-7800
 733 (770) 261-4274
 4712 (770) 261-3848

SCALE	DATE
REV.	DATE

PARK EQUIPMENT COMPANY
 "Expect the Best!"
 201 (770) 827-7800
 733 (770) 261-4274
 4712 (770) 261-3848

SCALE	DATE
REV.	DATE

PARK EQUIPMENT COMPANY
 "Expect the Best!"
 201 (770) 827-7800
 733 (770) 261-4274
 4712 (770) 261-3848

SCALE	DATE
REV.	DATE